



Chipsmall Limited consists of a professional team with an average of over 10 year of expertise in the distribution of electronic components. Based in Hongkong, we have already established firm and mutual-benefit business relationships with customers from,Europe,America and south Asia,supplying obsolete and hard-to-find components to meet their specific needs.

With the principle of “Quality Parts,Customers Priority,Honest Operation,and Considerate Service”,our business mainly focus on the distribution of electronic components. Line cards we deal with include Microchip,ALPS,ROHM,Xilinx,Pulse,ON,Everlight and Freescale. Main products comprise IC,Modules,Potentiometer,IC Socket,Relay,Connector.Our parts cover such applications as commercial,industrial, and automotives areas.

We are looking forward to setting up business relationship with you and hope to provide you with the best service and solution. Let us make a better world for our industry!



Contact us

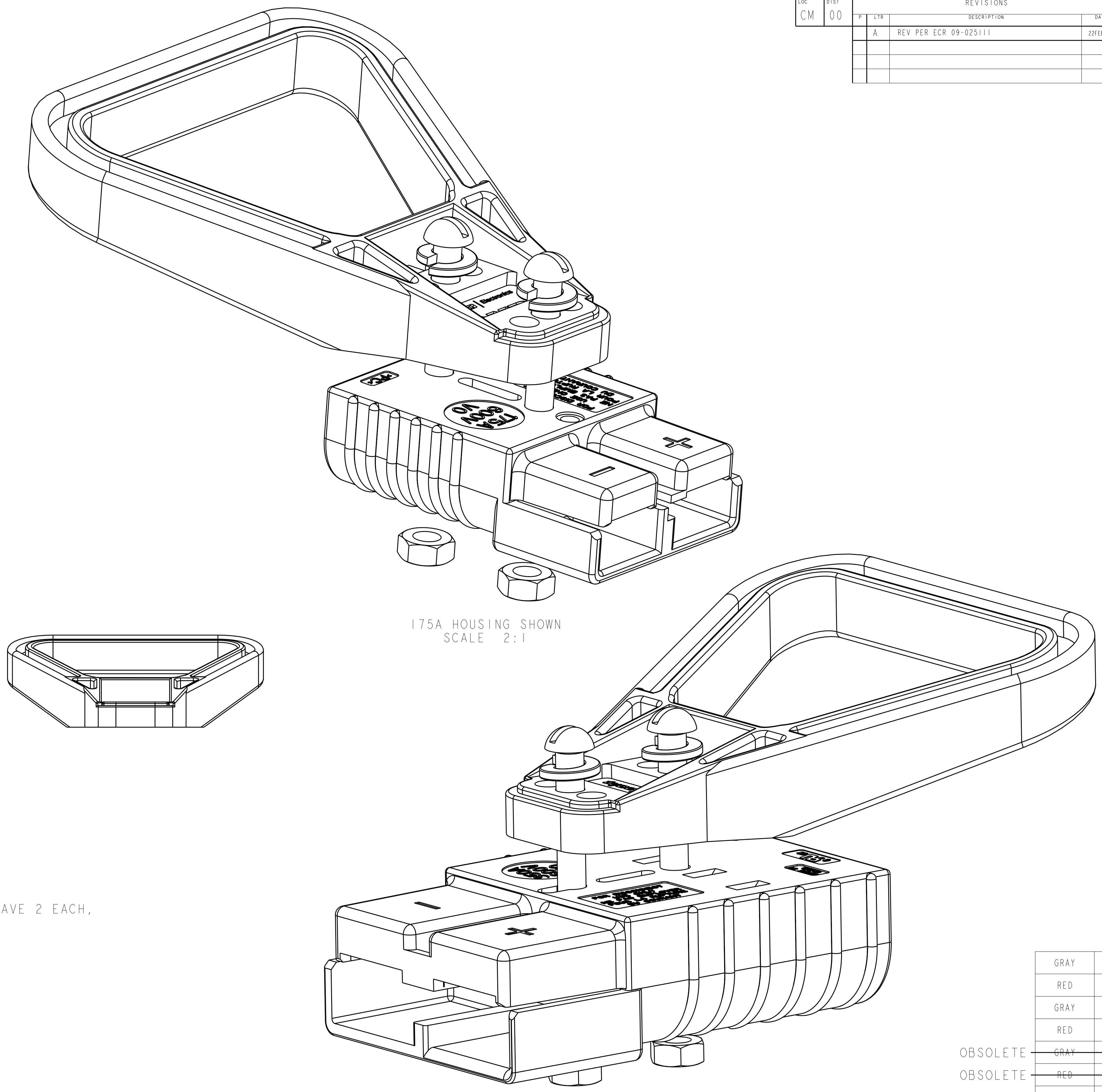
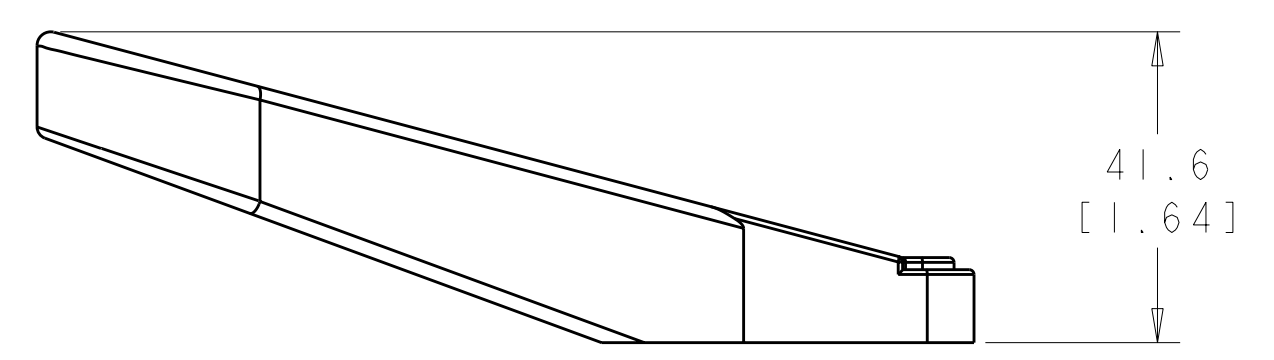
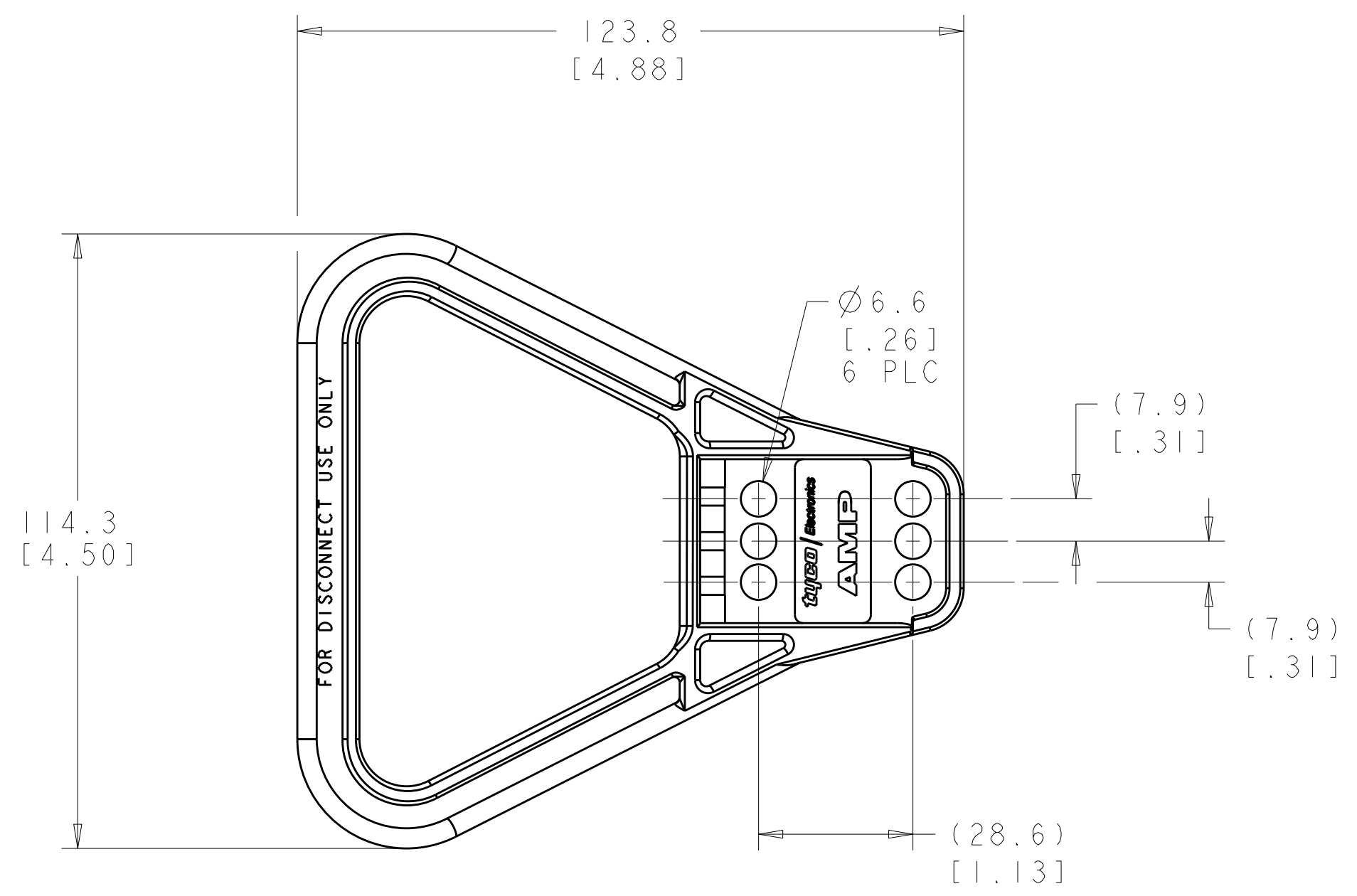
Tel: +86-755-8981 8866 Fax: +86-755-8427 6832

Email & Skype: info@chipsmall.com Web: www.chipsmall.com

Address: A1208, Overseas Decoration Building, #122 Zhenhua RD., Futian, Shenzhen, China



LOC		DIST		REVISIONS			
CM	00	P	LTN	DESCRIPTION	DATE	DWN	APVD
		A		REV PER ECR 09-025111	22FEB10	JR	SM



1. A HARDWARE KIT COMPRISED OF SCREWS, LOCK WASHERS, AND NUTS IS INCLUDED WITH THE HANDLE. 647737-1, 647737-2, 2-647737-1, 2-647737-2 HAVE 2 EACH, 1-647737-1, 1-647737-2, 3-647737-1, 3-647747-2 HAVE 4 EACH.
2. HANDLE MATERIAL IS UL94V-0 POLYCARBONATE.

	GRAY	3-647737-2
	RED	3-647737-1
	GRAY	2-647737-2
	RED	2-647737-1
OBsolete	GRAY	1-647737-2
OBsolete	RED	1-647737-1
OBsolete	GRAY	647737-2
OBsolete	RED	647737-1
	COLOR	PART NO

350A HOUSING SHOWN
SCALE 2:1



DIMENSIONS: mm [INCHES]		TOLERANCES UNLESS OTHERWISE SPECIFIED:		DWN: R. WHITAKER 18APR2002		Tyco Electronics Harrisburg, PA 17105-3608	
Ø		0 PLC ±		CHK: J. ELLIS 18APR2002		NAME: HANDLE KIT, POWER SERIES 175/350	
HOLE		1 PLC ±.02(.51)		APVD: J. ELLIS 18APR2002		SIZE: CAGE CODE: DRAWING NO: RESTRICTED TO	
MATERIAL: -		FINISH: -		PRODUCT SPEC: -		A 00779 C-647737	
				APPLICATION SPEC: -		SCALE: 1:1 SHEET 1 OF 1 REV A	
				WEIGHT: -		CUSTOMER DRAWING	