



Chipsmall Limited consists of a professional team with an average of over 10 year of expertise in the distribution of electronic components. Based in Hongkong, we have already established firm and mutual-benefit business relationships with customers from,Europe,America and south Asia,supplying obsolete and hard-to-find components to meet their specific needs.

With the principle of “Quality Parts,Customers Priority,Honest Operation,and Considerate Service”,our business mainly focus on the distribution of electronic components. Line cards we deal with include Microchip,ALPS,ROHM,Xilinx,Pulse,ON,Everlight and Freescale. Main products comprise IC,Modules,Potentiometer,IC Socket,Relay,Connector.Our parts cover such applications as commercial,industrial, and automotives areas.

We are looking forward to setting up business relationship with you and hope to provide you with the best service and solution. Let us make a better world for our industry!



## Contact us

Tel: +86-755-8981 8866 Fax: +86-755-8427 6832

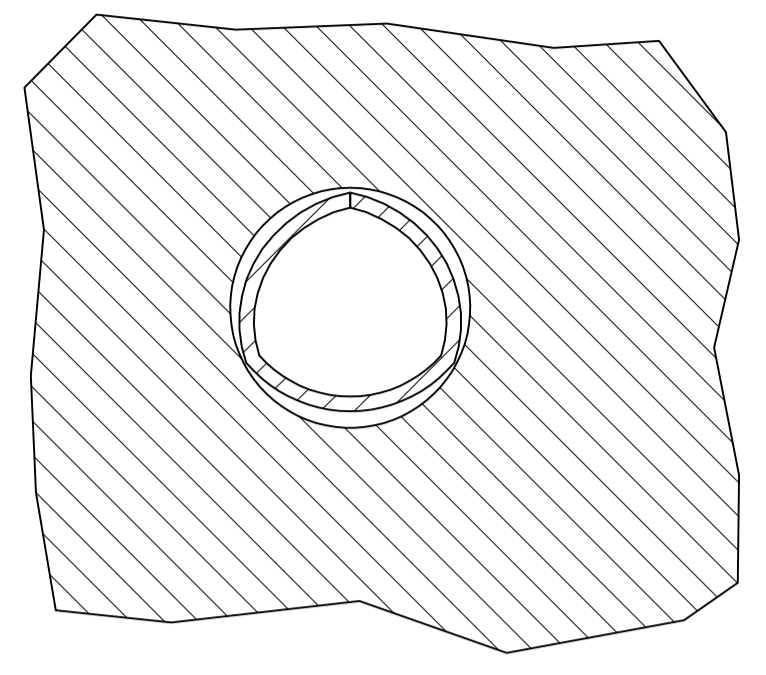
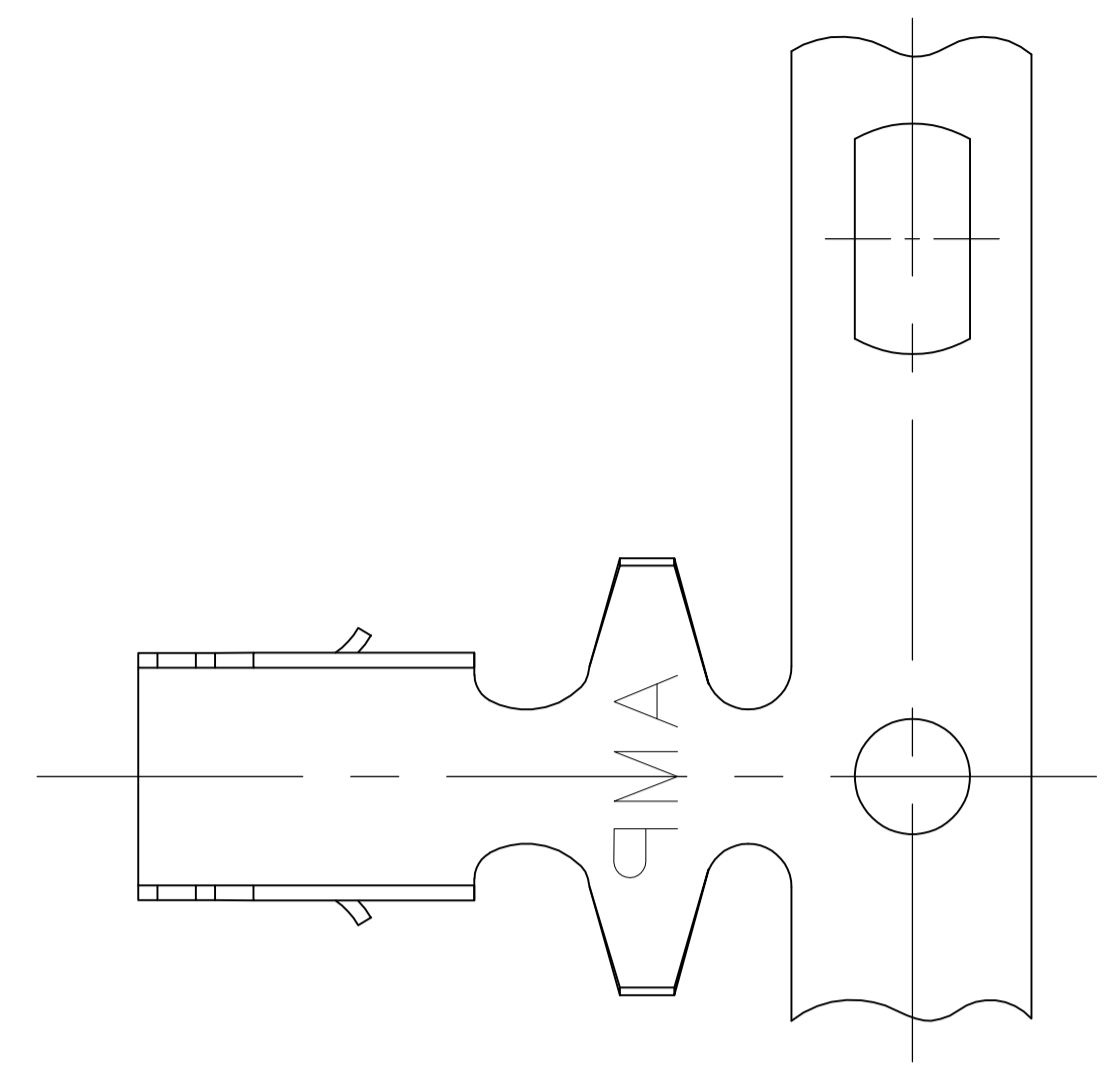
Email & Skype: info@chipsmall.com Web: www.chipsmall.com

Address: A1208, Overseas Decoration Building, #122 Zhenhua RD., Futian, Shenzhen, China

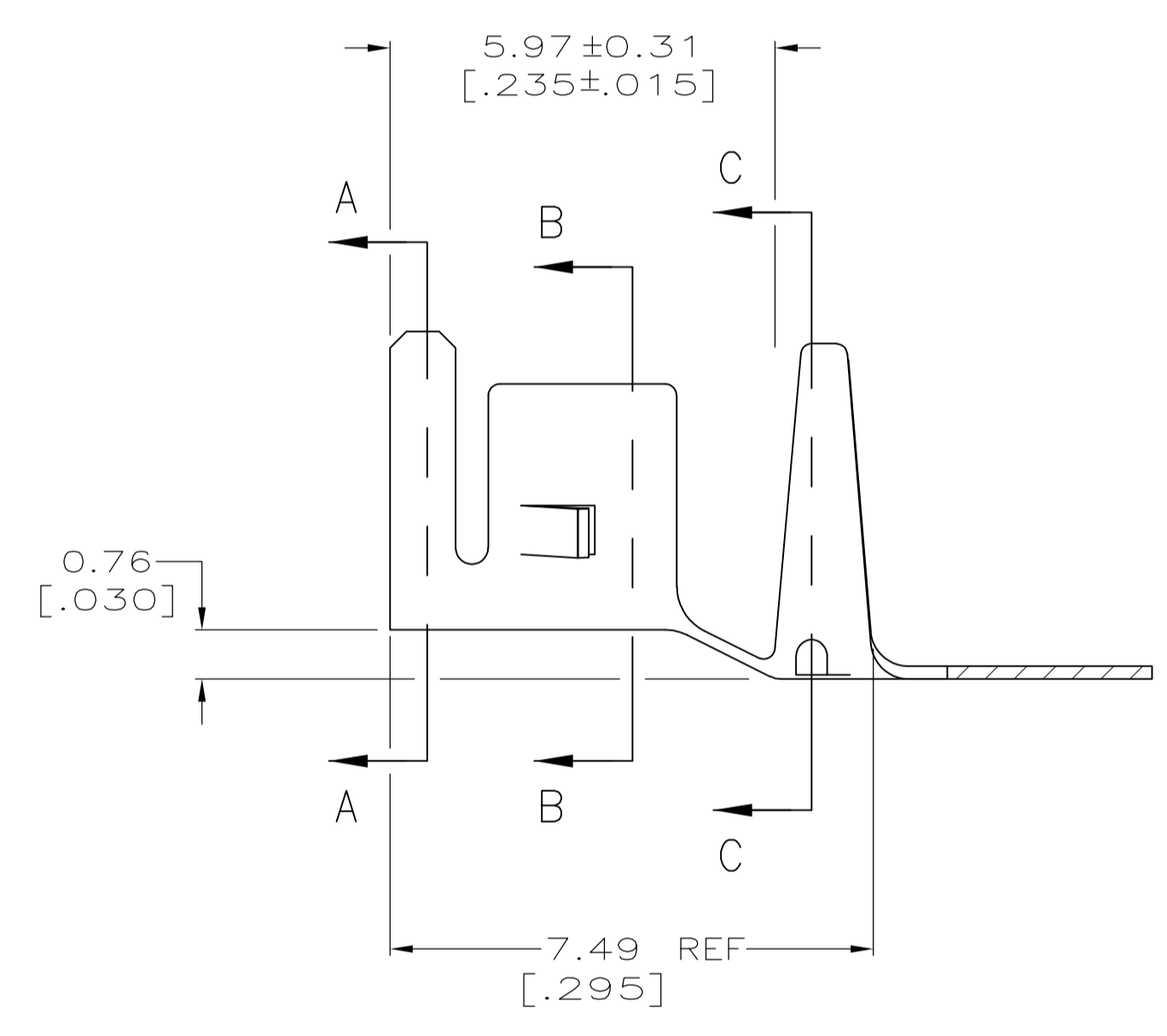


LOC		DIST		REVISIONS			
CM	00	REV	DATE	BY	CHK	APPV	
C3		REVISED PER ECO-12-014997	23AUG12	KH	SM		

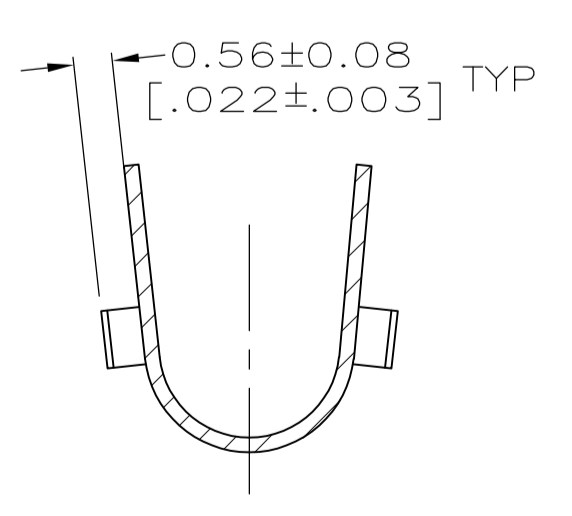
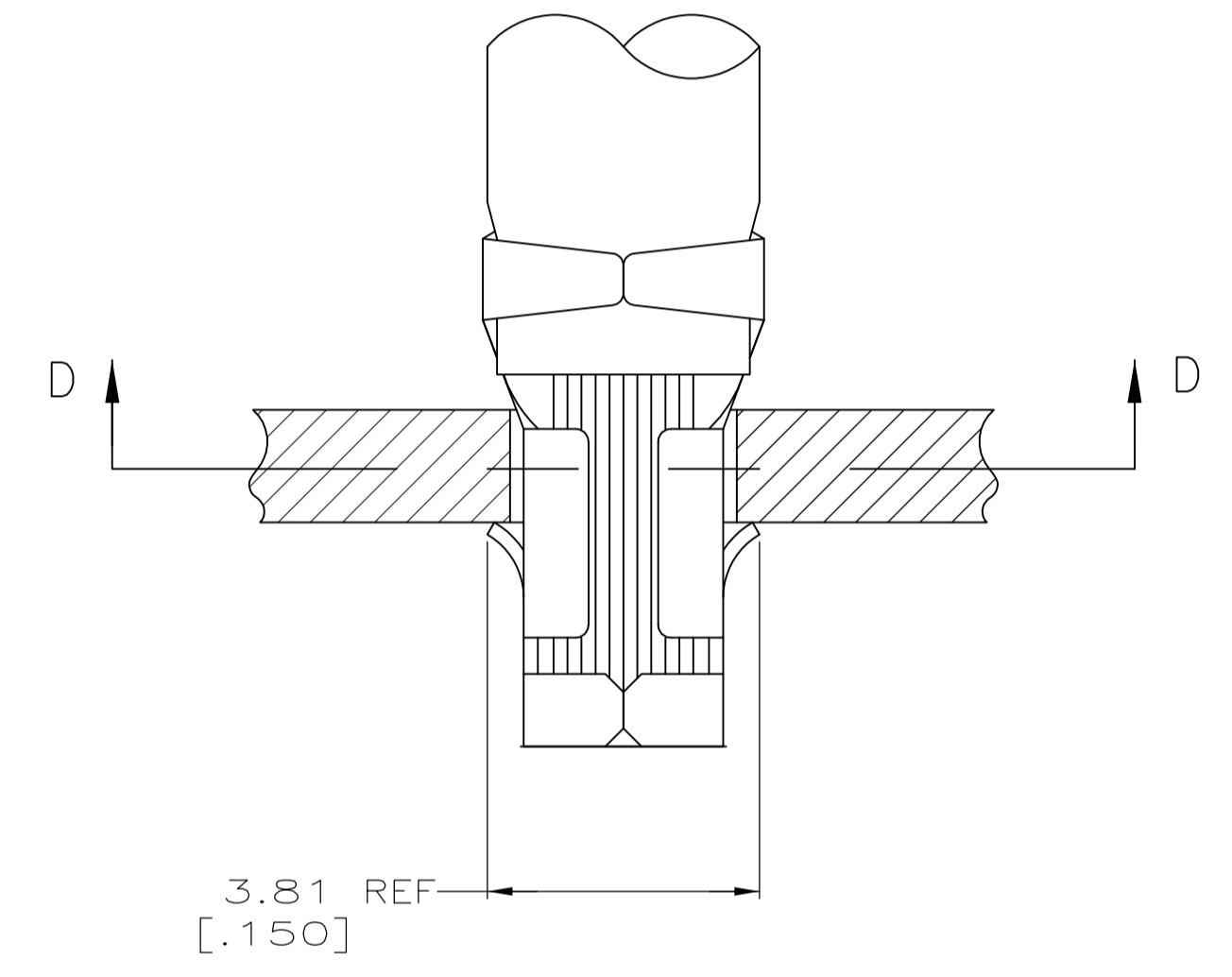
- 1 PARTS COMPLY WITH AMP SOLDERABILITY SPEC 109-11-3.
- 2 WIRE RANGE: 3-5.5 mm<sup>2</sup> [12-10 AWG].
- 3 INSULATION DIAMETER: 5.08 [.200] MAX.
- 4 DIMENSIONS IN BRACKETS ARE IN INCHES.
- 5 0.00508 [.000200] MIN BRIGHT TIN-LEAD.
- 6 0.00508 [.000200] MIN HALT TIN.



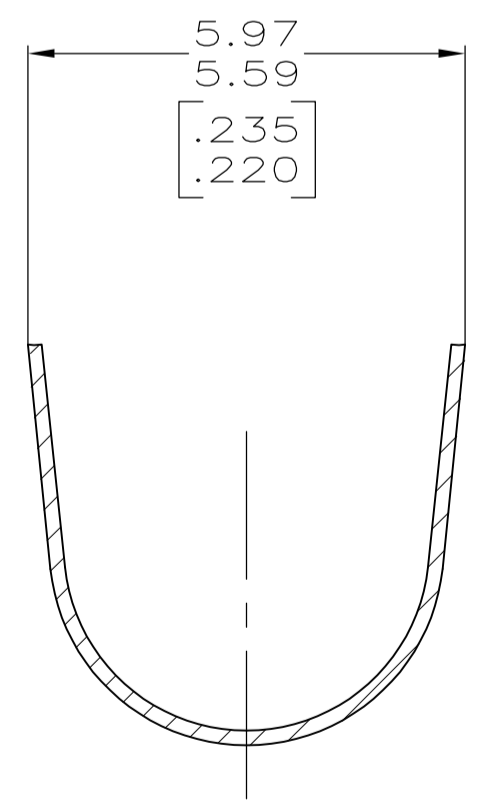
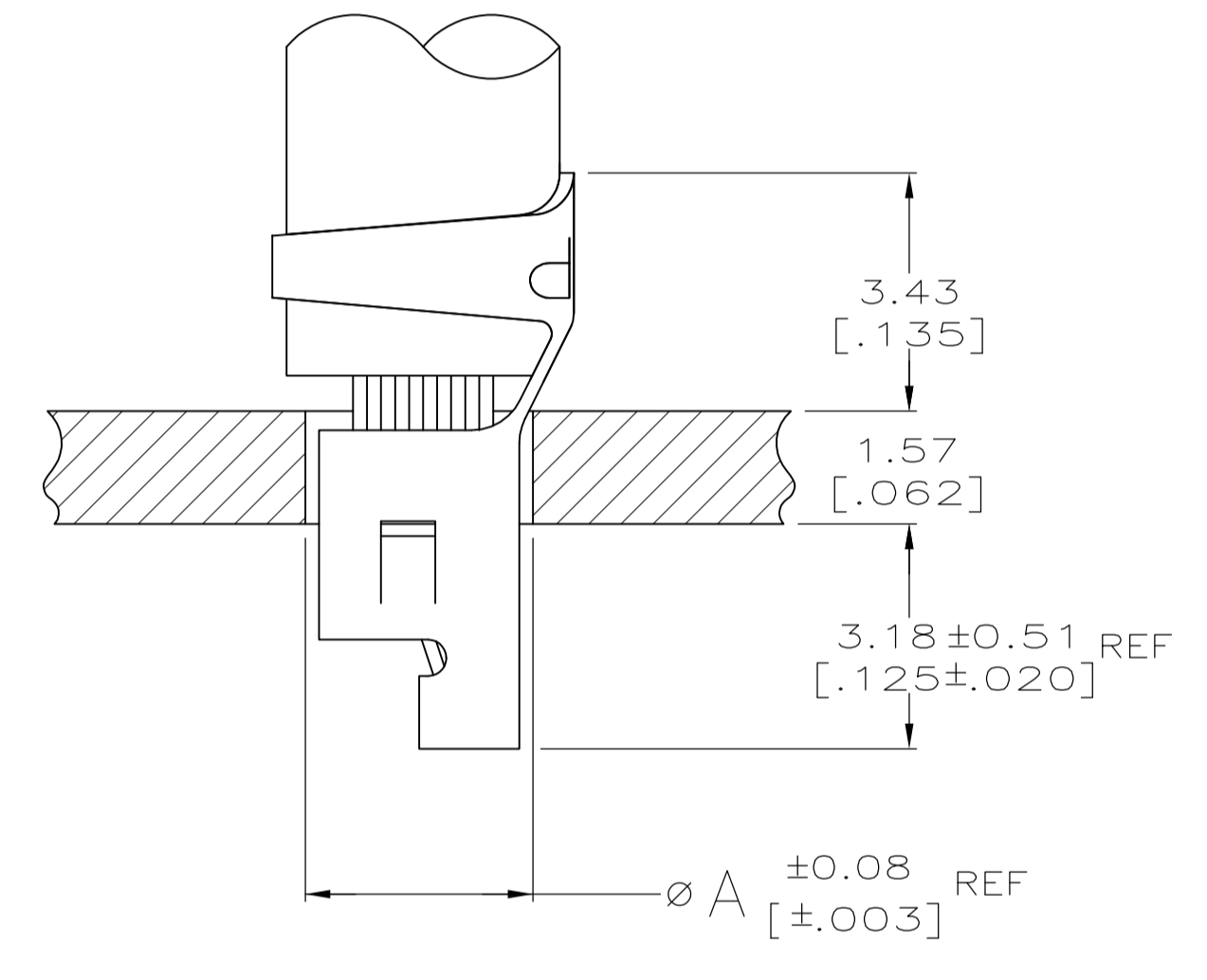
SECTION D-D



SECTION A-A



SECTION B-B



SECTION C-C

3.76 [.148]	10
3.18 [.125]	12
A	AWG

6	3-794037-1
5	-794037-1
FINISH	PART NO.

SUPERSEDED BY  
3-794037-1

DIMENSIONS:		TOLERANCES UNLESS OTHERWISE SPECIFIED:		FINISH	
INCHES		0. PLC	±	0.198	[.0078] PH BRZ
		1. PLC	±		
		2. PLC	±		
		3. PLC	± 0.13		[.005]
		4. PLC	±		
		ANGLES	±		

METRIC

STE TE Connectivity

TERMINAL, AMP-IN

SIZE	A1	CAGE CODE	00779	DRAWING NO.	C=794037	RESTRICTED TO	-
WEIGHT		CUSTOMER DRAWING		SCALE	10:1	SHEET	1 OF 1
						REV	C3