



Chipsmall Limited consists of a professional team with an average of over 10 year of expertise in the distribution of electronic components. Based in Hongkong, we have already established firm and mutual-benefit business relationships with customers from,Europe,America and south Asia,supplying obsolete and hard-to-find components to meet their specific needs.

With the principle of “Quality Parts,Customers Priority,Honest Operation,and Considerate Service”,our business mainly focus on the distribution of electronic components. Line cards we deal with include Microchip,ALPS,ROHM,Xilinx,Pulse,ON,Everlight and Freescale. Main products comprise IC,Modules,Potentiometer,IC Socket,Relay,Connector.Our parts cover such applications as commercial,industrial, and automotives areas.

We are looking forward to setting up business relationship with you and hope to provide you with the best service and solution. Let us make a better world for our industry!



Contact us

Tel: +86-755-8981 8866 Fax: +86-755-8427 6832

Email & Skype: info@chipsmall.com Web: www.chipsmall.com

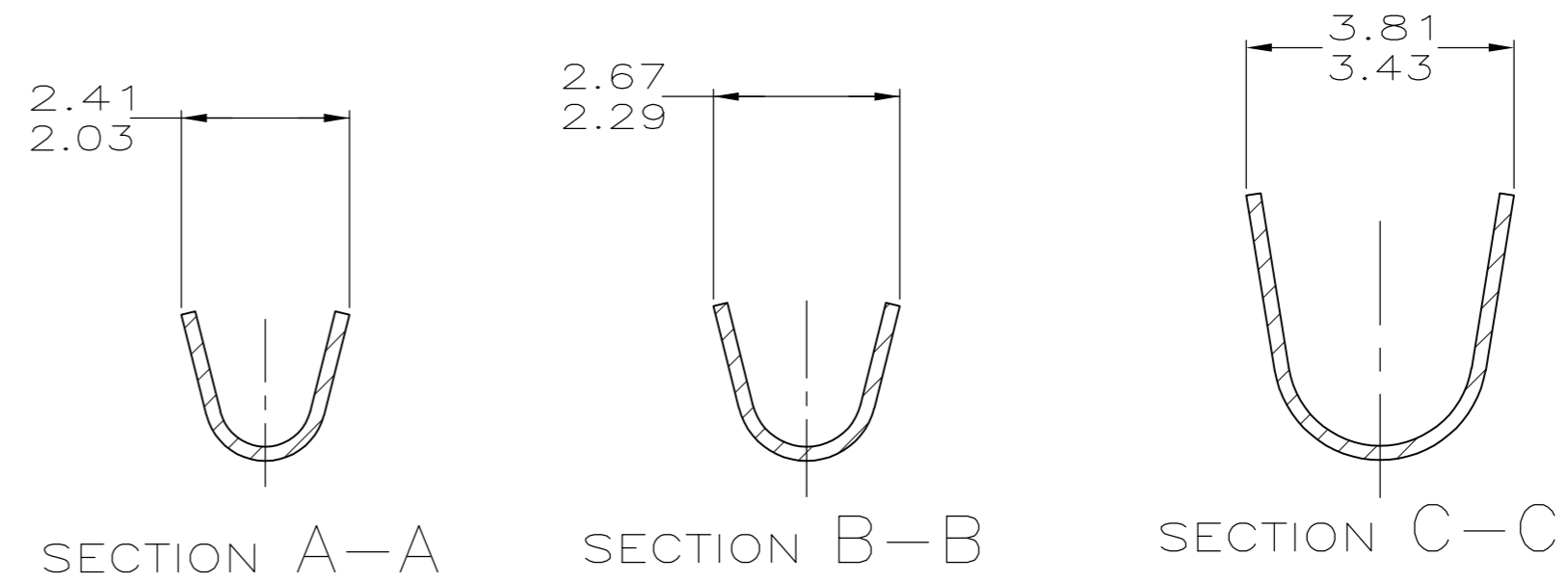
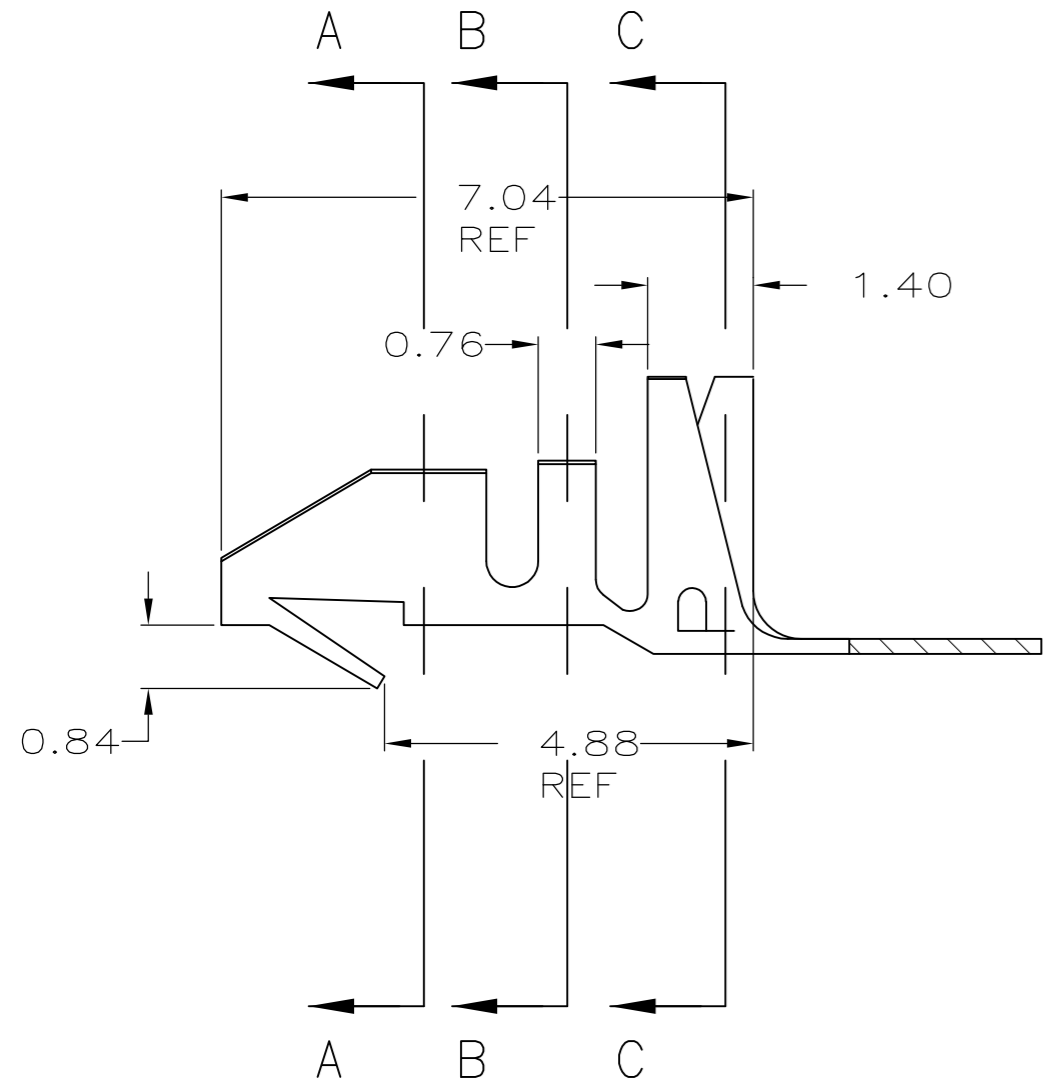
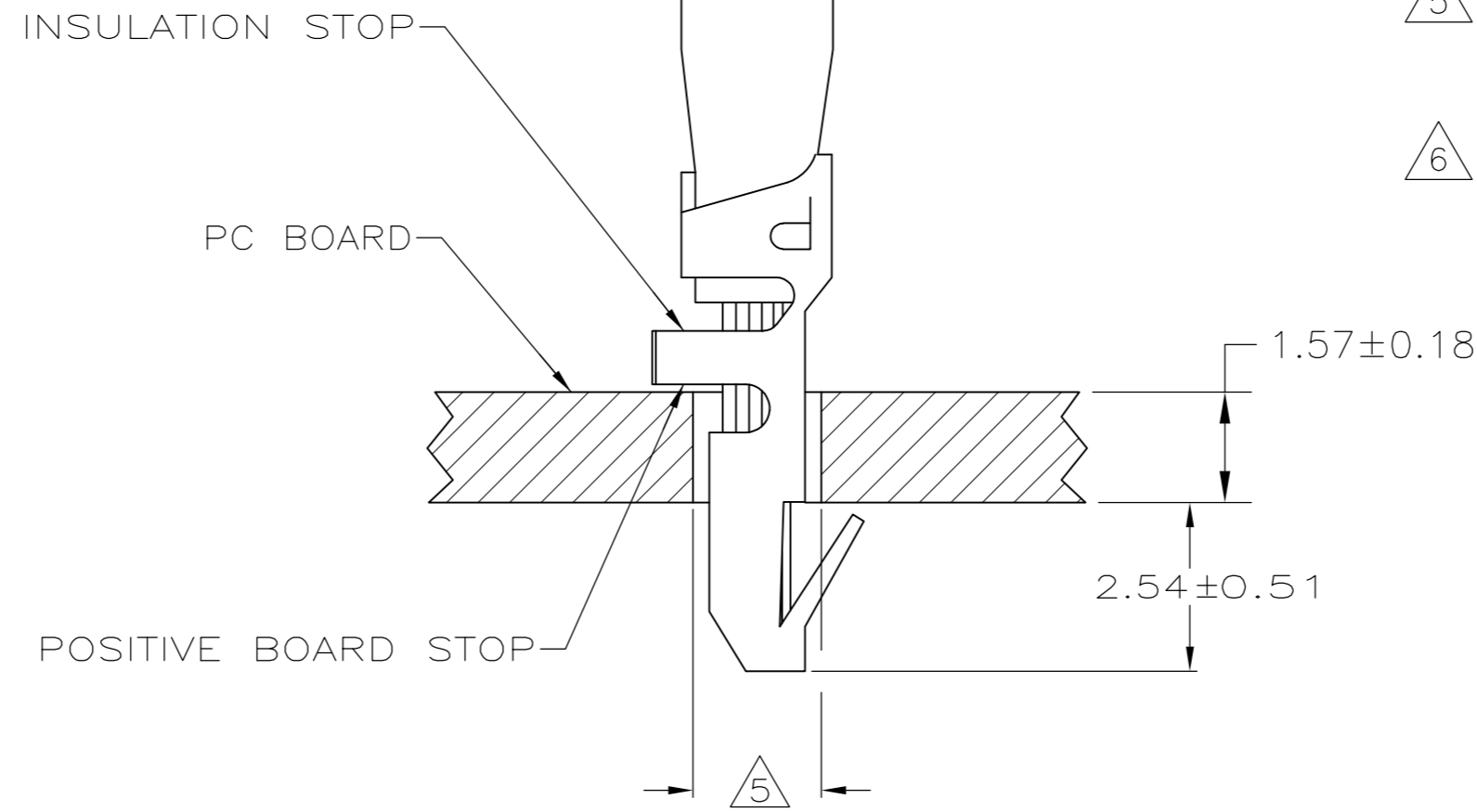
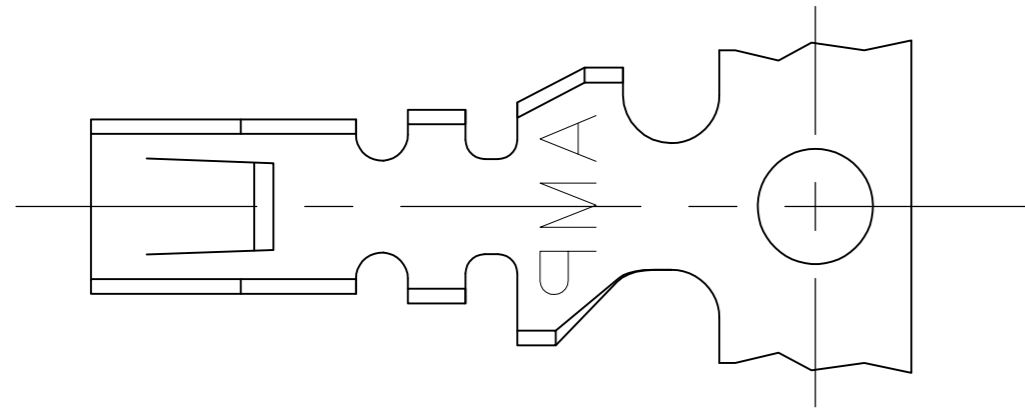
Address: A1208, Overseas Decoration Building, #122 Zhenhua RD., Futian, Shenzhen, China



THIS DRAWING IS UNPUBLISHED. RELEASED FOR PUBLICATION
 © COPYRIGHT - By - ALL RIGHTS RESERVED.

LOC		DIST		REVISIONS			
P	LTR	DESCRIPTION		DATE	DWN	APVD	
CM	00	C2	REVISED PER ECO-12-014997	23AUG12	KH	SM	

- 1 PARTS COMPLY WITH AMP SOLDERABILITY SPECIFICATION 109-11-2.
- 2 WIRE RANGE: 0.3 - 0.9 MM² (22 - 18 AWG).
- 3 INSULATION RANGE: 1.52 - 2.79
- 4 0.00508 MIN BRIGHT TIN-LEAD.
- 5 HOLE DIAMETER TO BE 1.83±0.08 FOR WIRE 0.3 - 0.6 MM² (20 - 22 AWG) OR 1.96±0.08 FOR WIRE 0.8 - 0.9 MM² (18 AWG).
- 6 0.00508 MIN BRIGHT TIN.



	6	3-794121-1
SUPERSEDED BY	4	-794121-1-
	FINISH	PART NO.

0.51	.020	1.52	.060	2.54	.100	-	-
0.3	.01	1.40	.055	2.41	.095	7.04	.277
0.20	.008	0.9	.04	2.29	.090	4.88	.192
0.18	.007	0.84	.033	2.03	.080	3.81	.150
0.13	.005	0.8	.03	1.96	.077	3.43	.135
0.08	.003	0.76	.030	1.83	.072	2.79	.110
0.00508	.000200	0.6	.02	1.57	.062	2.67	.105
MM	IN	MM	IN	MM	IN	MM	IN

CONVERSION TABLE

METRIC

THIS DRAWING IS A CONTROLLED DOCUMENT.		DWN S. CARPENTER 21AUG2003	TE TE Connectivity	
DIMENSIONS: mm		CHK J. ELLIS 21AUG2003		
TOLERANCES UNLESS OTHERWISE SPECIFIED:		APVD J. ELLIS 21AUG2003	NAME TERMINAL, MINI AMP-IN™ 2000	
0 PLC ±		PRODUCT SPEC 108-1081	SIZE A2	
1 PLC ±		APPLICATION SPEC 114-1016	CAGE CODE 00779	DRAWING NO C=794121
2 PLC ± 0.13		WEIGHT	RESTRICTED TO	
3 PLC ±		CUSTOMER DRAWING	SCALE 10:1	SHEET 1 of 1
4 PLC ANGLES ±			REV C2	
MATERIAL 0.20 PH BRZ		FINISH		