



Chipsmall Limited consists of a professional team with an average of over 10 year of expertise in the distribution of electronic components. Based in Hongkong, we have already established firm and mutual-benefit business relationships with customers from,Europe,America and south Asia,supplying obsolete and hard-to-find components to meet their specific needs.

With the principle of “Quality Parts,Customers Priority,Honest Operation,and Considerate Service”,our business mainly focus on the distribution of electronic components. Line cards we deal with include Microchip,ALPS,ROHM,Xilinx,Pulse,ON,Everlight and Freescale. Main products comprise IC,Modules,Potentiometer,IC Socket,Relay,Connector.Our parts cover such applications as commercial,industrial, and automotives areas.

We are looking forward to setting up business relationship with you and hope to provide you with the best service and solution. Let us make a better world for our industry!



Contact us

Tel: +86-755-8981 8866 Fax: +86-755-8427 6832

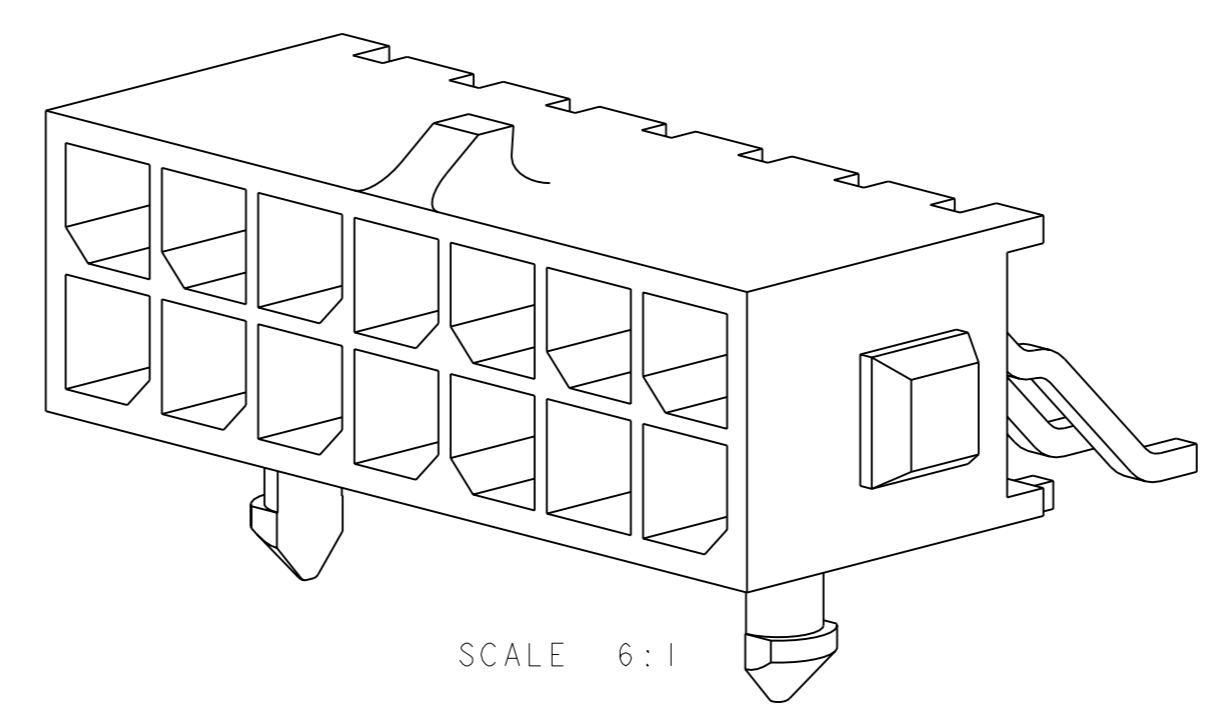
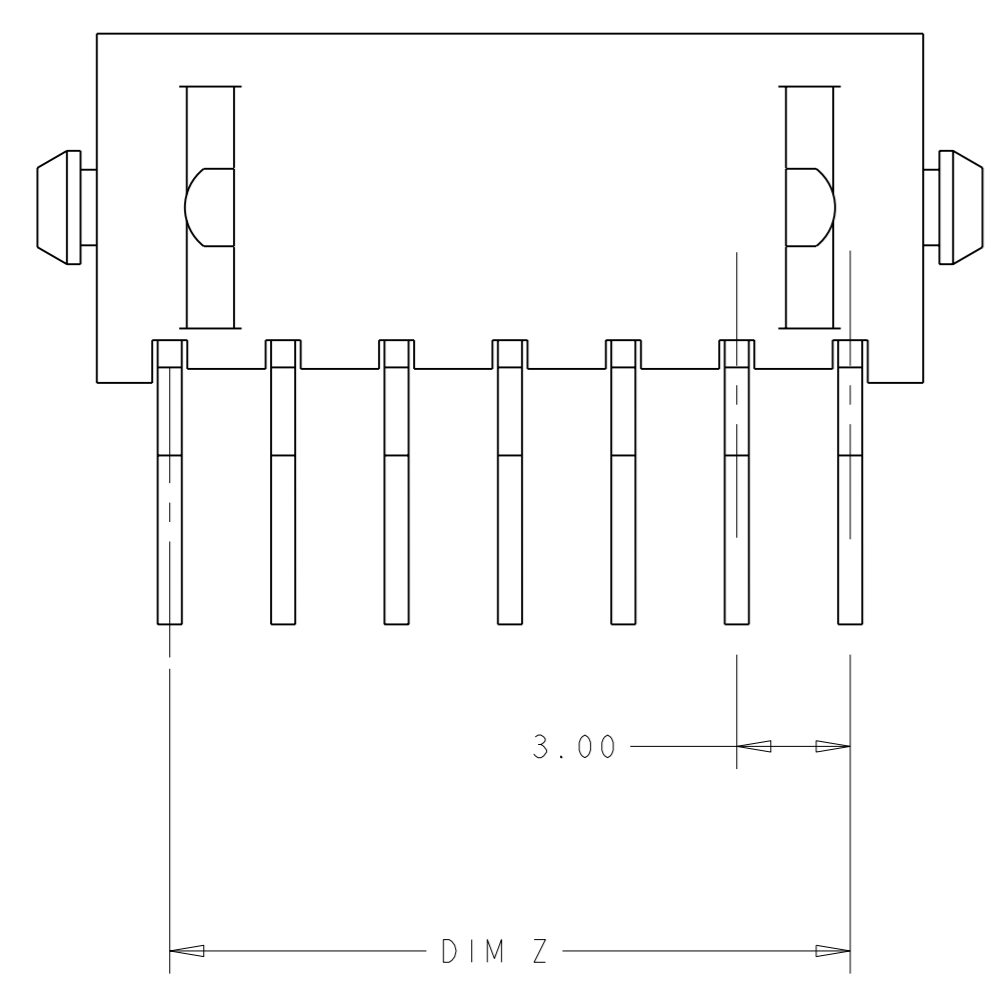
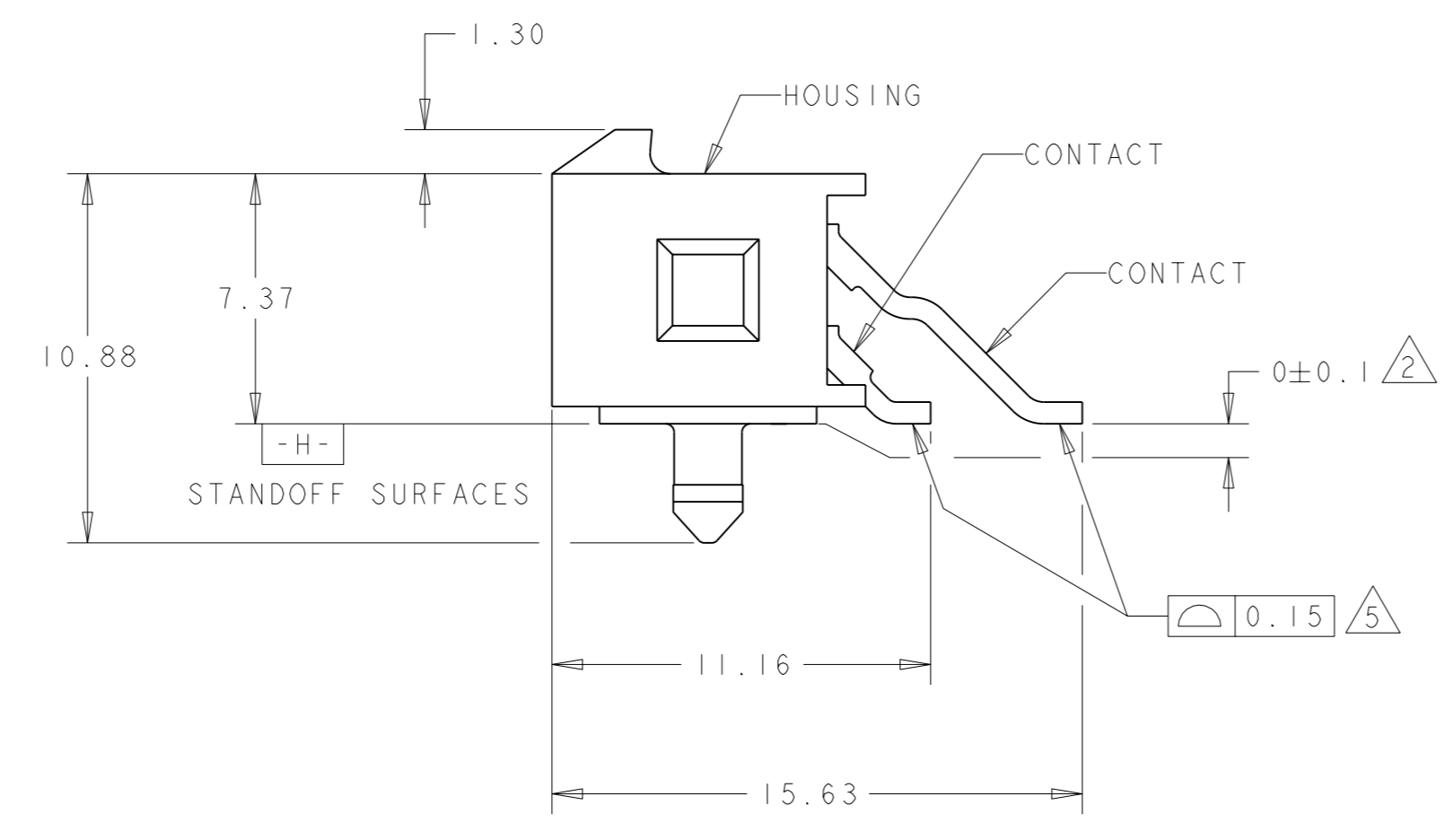
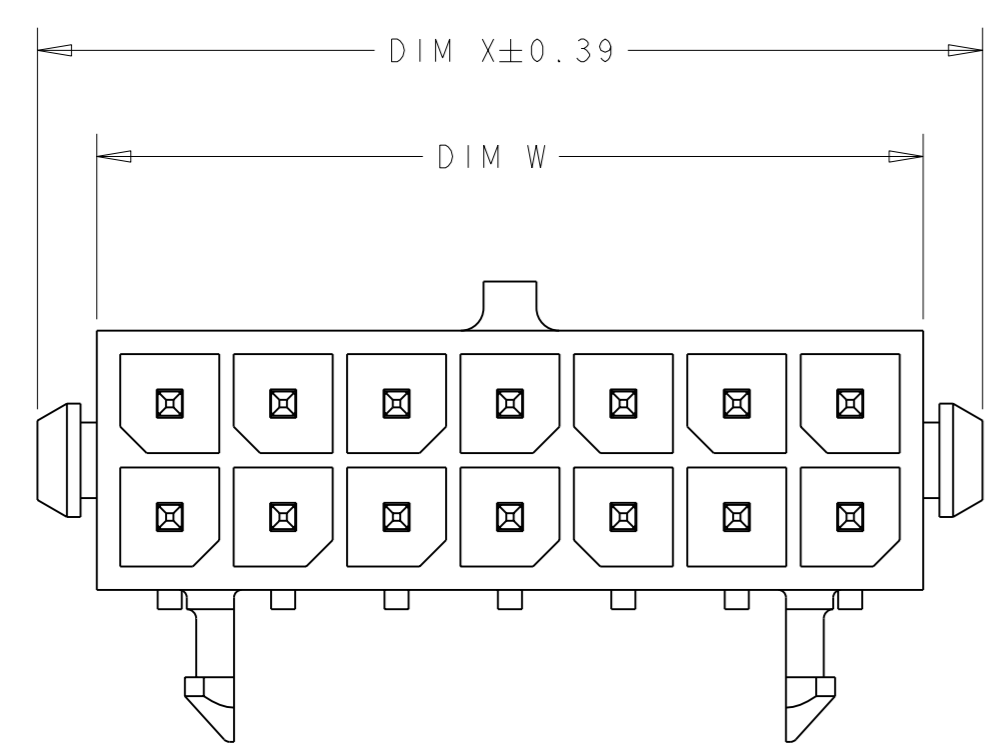
Email & Skype: info@chipsmall.com Web: www.chipsmall.com

Address: A1208, Overseas Decoration Building, #122 Zhenhua RD., Futian, Shenzhen, China

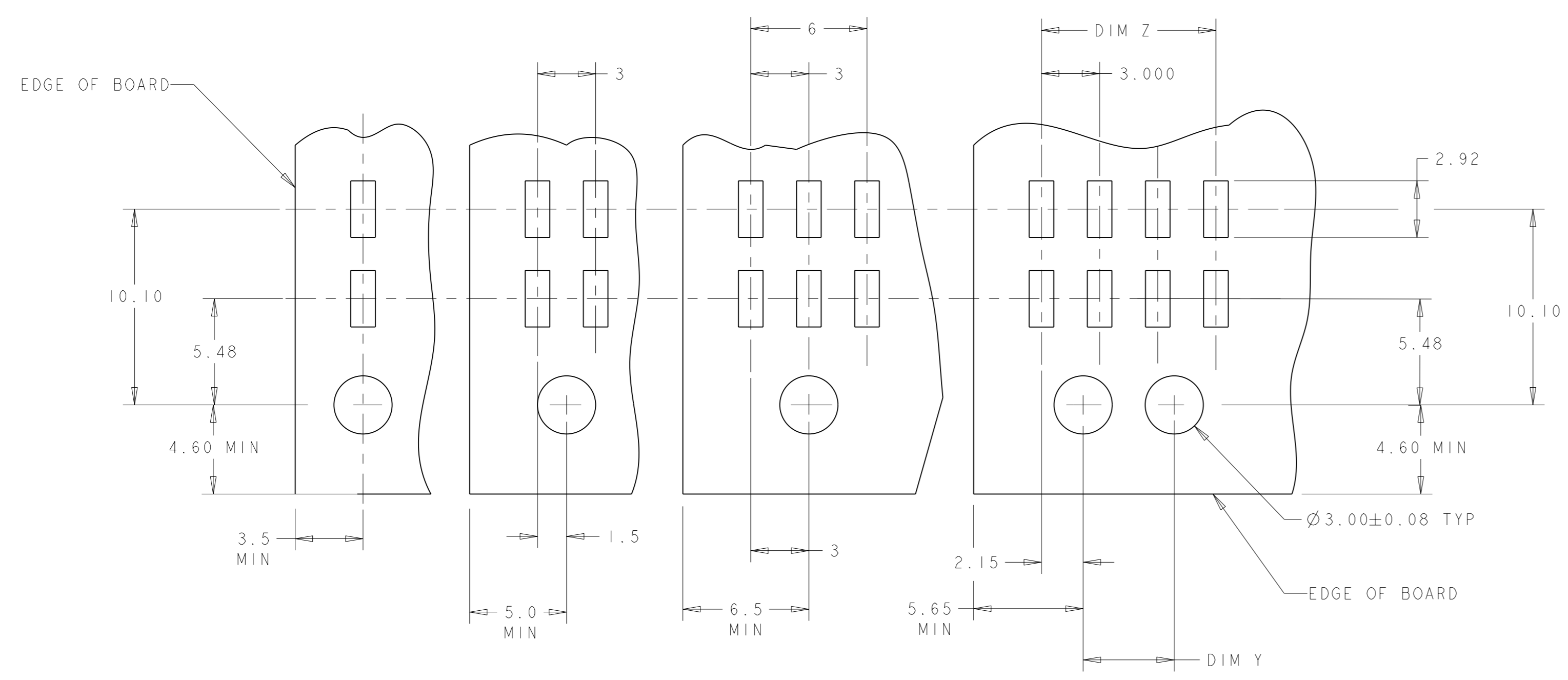


LOC		DIST		REVISIONS			
F	LYR	DESCRIPTION	DATE	DWN	APVD		
F		REVISED PER 0G3B0209-05	26-APR-05	KW	CJ		

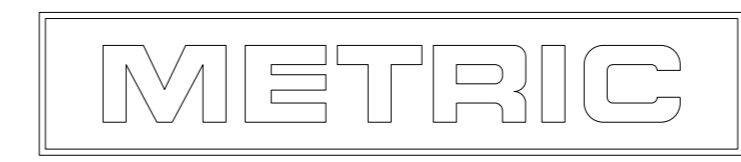
- 1 MATERIAL:
CONTACTS - BRASS.
HOUSING - UL 94V-0 RATED HIGH TEMP NYLON, COLOR; BLACK.
- 2 PLATING:
CONTACTS - 0.76µm MINIMUM GOLD OVER 2.54µm MINIMUM NICKEL ON MATING AREA. 2.54µm TIN-LEAD MINIMUM OVER 2.54µm NICKEL MINIMUM ON SOLDER TAILS.
- 3 DIMENSION APPLIES TO SOLDERTAIL SURFACES AND STANDOFF SURFACES.
- 4 RECOMMENDED PC BOARD THICKNESS OF 1.57.
- 5 ALL SOLDERTAILS.
- 6 PLATING:
CONTACTS - 0.76µm MINIMUM GOLD OVER 2.54µm MINIMUM NICKEL ON MATING AREA. 2.54µm MATTE TIN MINIMUM OVER 2.54µm NICKEL MINIMUM ON SOLDER TAILS.



FINISH	DIM W	DIM Y	DIM Z	DIM X	NO. OF POSN.	PART NUMBER
6	36.86	28.70	33.00	40.00	24	5-794623-4
6	33.86	25.70	30.00	37.00	22	5-794623-2
6	30.86	22.70	27.00	34.00	20	5-794623-0
6	27.86	19.70	24.00	31.00	18	4-794623-8
6	24.86	16.70	21.00	28.00	16	4-794623-6
6	21.86	13.70	18.00	25.00	14	4-794623-4
6	18.86	10.70	15.00	22.00	12	4-794623-2
6	15.86	7.70	12.00	19.00	10	4-794623-0
6	12.86	4.70	9.00	16.00	8	3-794623-8
6	9.86	-	6.00	13.00	6	3-794623-6
6	6.86	-	3.00	10.00	4	3-794623-4
6	3.86	-	-	7.00	2	3-794623-2
2	36.86	28.70	33.00	40.00	24	2-794623-4
2	33.86	25.70	30.00	37.00	22	2-794623-2
2	30.86	22.70	27.00	34.00	20	2-794623-0
2	27.86	19.70	24.00	31.00	18	1-794623-8
2	24.86	16.70	21.00	28.00	16	1-794623-6
2	21.86	13.70	18.00	25.00	14	1-794623-4
2	18.86	10.70	15.00	22.00	12	1-794623-2
2	15.86	7.70	12.00	19.00	10	1-794623-0
2	12.86	4.70	9.00	16.00	8	794623-8
2	9.86	-	6.00	13.00	6	794623-6
2	6.86	-	3.00	10.00	4	794623-4
2	3.86	-	-	7.00	2	794623-2



RECOMMENDED PCB LAYOUT (COMPONENT SIDE) 4



DIMENSIONS: mm		TOLERANCES UNLESS OTHERWISE SPECIFIED:		DWN: 28-JAN-2002		AMP Incorporated	
0 PLC	±	0.13	±	K. WHITAKER	28-JAN-2002	Harrisburg, PA 17105-3608	
1 PLC	±	±0.13	±	C. JONES	28-JAN-2002	tyco Electronics	
2 PLC	±	±	±	APVD: C. JONES 28-JAN-2002		SURFACE MOUNT, R/A, 30 GOLD HEADER, PLASTIC BOARDLOCK, DUAL ROW, MICRO MATE-N-LOK™	
3 PLC	±	±	±	PRODUCT SPEC		SIZE: A CAGE CODE: 00779 DRAWING NO: 794623	
4 PLC	±	±	±	APPLICATION SPEC		RESTRICTED TO: -	
MATERIAL: 1		FINISH: SEE TABLE		WEIGHT: -		SCALE: 5:1 SHEET: 1 OF 1 REV: F	
CUSTOMER DRAWING		SCALE: 5:1		SHEET: 1 OF 1		REV: F	