



Chipsmall Limited consists of a professional team with an average of over 10 year of expertise in the distribution of electronic components. Based in Hongkong, we have already established firm and mutual-benefit business relationships with customers from,Europe,America and south Asia,supplying obsolete and hard-to-find components to meet their specific needs.

With the principle of “Quality Parts,Customers Priority,Honest Operation,and Considerate Service”,our business mainly focus on the distribution of electronic components. Line cards we deal with include Microchip,ALPS,ROHM,Xilinx,Pulse,ON,Everlight and Freescale. Main products comprise IC,Modules,Potentiometer,IC Socket,Relay,Connector.Our parts cover such applications as commercial,industrial, and automotives areas.

We are looking forward to setting up business relationship with you and hope to provide you with the best service and solution. Let us make a better world for our industry!



## Contact us

Tel: +86-755-8981 8866 Fax: +86-755-8427 6832

Email & Skype: info@chipsmall.com Web: www.chipsmall.com

Address: A1208, Overseas Decoration Building, #122 Zhenhua RD., Futian, Shenzhen, China



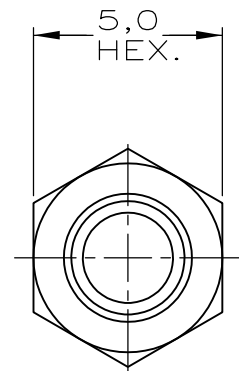
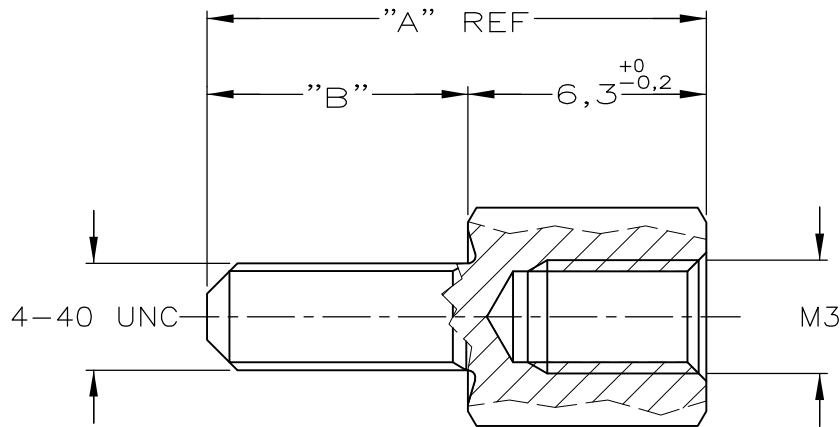
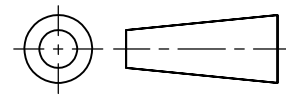
DO NOT SCALE

DIMENSIONS IN mm

METRIC


THIRD ANGLE

PROJECTION



△ 1 OBSOLETE PARTS: OBSOLETE CIS STREAMLINING PER D.RENAUD/D.SINISI

—	3,0	9,2	UNPLATED	ARCAP	3-828101-3
—	3,0	9,2	TINPLATED	BRASS	3-828101-1
—	11,0	17,2	UNPLATED	ARCAP	2-828101-3
—	11,0	17,2	TINPLATED	BRASS	2-828101-1 △ 1
—	9,7	15,9	UNPLATED	ARCAP	1-828101-3
—	9,7	15,9	TINPLATED	BRASS	1-828101-1
—	5,0	11,2	UNPLATED	ARCAP	828101-3
—	5,0	11,2	TINPLATED	BRASS	828101-1
—	DIM "B"	DIM "A"	FINISH	MATERIAL	ORDERNUMBER

—	—	—	—	—	CUSTOMER DRAWING FOR REFERENCE ONLY WILL NOT BE UPDATED	
—	—	—	—	—	© COPYRIGHT 19 — BY AMP HOLLAND B.V. ALL INTERNATIONAL RIGHTS RESERVED. AMP PRODUCTS MAY BE COVERED BY U.S. AND FOREIGN AND/OR PATENTS PENDING.	
—	—	—	—	—	THIS DRAWING IS UNPUBLISHED RELEASED FOR PUBLICATION —, 19 —	
—	—	—	—	—	 AMP HOLLAND B.V. 's-Hertogenbosch, The Netherlands.	
F1	REVISED PER ECO-09-023313	KK	AEG	120CT09	NAME	
F	H-9720	S.M.	C.V.T	21-04-92	SCREWLOCK, FEMALE, HD-SERIES	
LTR.	REVISION RECORD	DR.	CHK.	DATE		
DR.:	D.KESSLER	CHK.:	C.V.TILBURG	APP.:	L.V.SOEST	DWG.No.
DATE:	02-04-91	DATE:	23-04-91	DATE:	25-04-91	828101
						REV.LTR.
						F1
						SHEET
						1 OF 1
						A4