



Chipsmall Limited consists of a professional team with an average of over 10 year of expertise in the distribution of electronic components. Based in Hongkong, we have already established firm and mutual-benefit business relationships with customers from,Europe,America and south Asia,supplying obsolete and hard-to-find components to meet their specific needs.

With the principle of “Quality Parts,Customers Priority,Honest Operation,and Considerate Service”,our business mainly focus on the distribution of electronic components. Line cards we deal with include Microchip,ALPS,ROHM,Xilinx,Pulse,ON,Everlight and Freescale. Main products comprise IC,Modules,Potentiometer,IC Socket,Relay,Connector.Our parts cover such applications as commercial,industrial, and automotives areas.

We are looking forward to setting up business relationship with you and hope to provide you with the best service and solution. Let us make a better world for our industry!



Contact us

Tel: +86-755-8981 8866 Fax: +86-755-8427 6832

Email & Skype: info@chipsmall.com Web: www.chipsmall.com

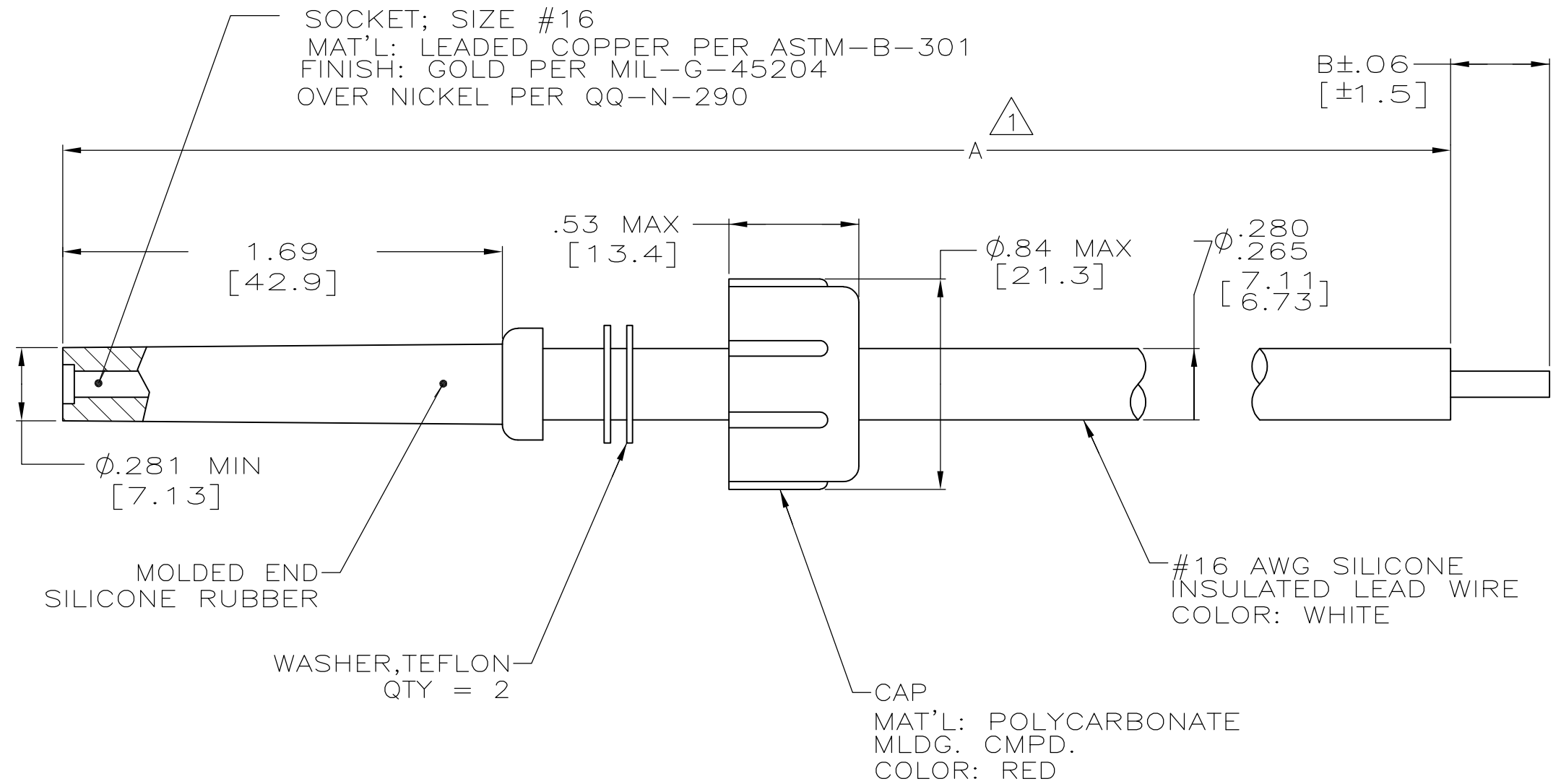
Address: A1208, Overseas Decoration Building, #122 Zhenhua RD., Futian, Shenzhen, China



THIS DRAWING IS UNPUBLISHED. RELEASED FOR PUBLICATION
 © COPYRIGHT - By - ALL RIGHTS RESERVED.

LOC		DIST		REVISIONS			
P	LTR	DESCRIPTION		DATE	DWN	APVD	
	R1	REVISED PER ECO-11-005030		11MAR11	RK	HMR	

PART NO.	A ¹	B	
830637-1	11.00 [279.4]	-	
830637-2	24.00 [609.6]	-	
830637-3	6.50 [165.1]	.50 [12.7]	OBSOLETE
830637-4	9.00 [228.6]	-	
830637-5	36.00 [914.4]	.38 [9.7]	
830637-6	30.00 [762.0]	-	OBSOLETE
830637-7	72.00 [1828.8]	-	
830637-8	47.25 [1200.1]	.50 [12.7]	
830637-9	20.25 [514.3]	.50 [12.7]	
1-830637-0	8.00 [203.2]	.50 [12.7]	
1-830637-1	36.00 [914.4]	-	OBSOLETE
1-830637-2	12.00 [304.8]	.38 [9.7]	
1-830637-3	18.00 [457.2]	.38 [9.7]	
1-830637-4	108.00 [2743.2]	-	
1-830637-5	180.00 [4572.0]	-	OBSOLETE
1-830637-6	60.00 [1524.0]	.38 [9.7]	
1-830637-7	26.00 [660.4]	.38 [9.7]	OBSOLETE
1-830637-8	42.00 [1066.8]	.38 [9.7]	
1-830637-9	54.00 [1371.6]	.38 [9.7]	OBSOLETE
2-830637-0	5.00 [127.0]	.38 [9.7]	OBSOLETE
2-830637-1	16.00 [406.4]	.38 [9.7]	
2-830637-2	264.00 [6705.6]	.38 [9.7]	OBSOLETE
2-830637-3	17.00 [431.8]	.50 [12.7]	
2-830637-4	48.00 [1219.2]	.38 [9.7]	
2-830637-6	10.25 [260.3]	.38 [9.7]	
2-830637-6	10.25 [260.3]	.38 [9.7]	
2-830637-7	14.00 [355.6]	.38 [9.7]	
2-830637-8	24.00 [609.6]	.38 [9.7]	
2-830637-9	240.00 [6096.0]	.38 [9.7]	OBSOLETE
3-830637-0	84.00 [2133.6]	.38 [9.7]	
3-830637-1	120.00 [3048.0]	.38 [9.7]	OBSOLETE
3-830637-2	96.00 [2438.4]	.38 [9.7]	OBSOLETE
3-830637-3	20.00 [508.0]	.38 [9.7]	
3-830637-4	15.00 [381.0]	.38 [9.7]	
3-830637-5	4.00 [101.6]	.38 [9.7]	OBSOLETE
3-830637-6	118.00 [2997.2]	.38 [9.7]	
3-830637-7	25.00 [635.0]	.38 [9.7]	OBSOLETE
3-830637-8	300.00 [7620.0]	.38 [9.7]	OBSOLETE
3-830637-9	196.88 [5000.8]	.38 [9.7]	
4-830637-0	144.00 [3657.6]	.38 [9.7]	OBSOLETE
4-830637-1	591.00 [15011.4]	.38 [9.7]	OBSOLETE
4-830637-2	30.00 [762.0]	.38 [9.7]	OBSOLETE
4-830637-3	16.00 [406.4]	.38 [9.7]	OBSOLETE
4-830637-4	158.00 [4013.2]	.38 [9.7]	
4-830637-5	237.00 [6019.8]	.38 [9.7]	
4-830637-6	19.75 [501.6]	.38 [9.7]	
4-830637-7	9.00 [228.6]	.38 [9.7]	OBSOLETE
4-830637-8	13.00 [330.2]	.38 [9.7]	OBSOLETE
4-830637-9	315.00 [8001.0]	-	OBSOLETE
5-830637-0	12.25 [311.15]	-	
5-830637-1	59.00 [1498.6]	.38 [9.7]	



- ¹ TOLERANCE OF LEAD LENGTH:
UP TO 24 INCHES [609.6] = ±.12 [±3.0]
24 INCHES [609.6] & UP = ±1%
- 2. MARKED PER MIL-STD-130.
- 3. PIGTAIL IS SOLDER DIPPED.
- 4. TO MATE WITH AMP LGH-1L RECEPTACLE WITH 1.69 [42.93] BARREL DEPTH.
- 5. OPERATING VOLTAGE: 25 KVDC AT 0 TO 70,000 FEET; -55°C TO 125°C.
- 6. MIN LEAD LENGTH IS 5.00 [127.0].

THIS DRAWING IS A CONTROLLED DOCUMENT.		DWN	C.C.THOMAS	12-5-90	TE Connectivity
DIMENSIONS: INCHES		CHK	D.OPLINGER	12-12-91	
TOLERANCES UNLESS OTHERWISE SPECIFIED:		APVD	D.OPLINGER	12-12-91	NAME LEAD ASSY, SGL. END, LGH-1L
0 PLC ± -		PRODUCT SPEC			
1 PLC ± -		APPLICATION SPEC			
2 PLC ± .02 [0.5]		SIZE	A2	SCALE	2:1
3 PLC ± -		CAGE CODE	00779	DRAWING NO	C=830637
4 PLC ± -		WEIGHT	-	SHEET	1 OF 1
ANGLES ± -		CUSTOMER DRAWING	REV R1		
FINISH SEE CALLOUTS					