



Chipsmall Limited consists of a professional team with an average of over 10 year of expertise in the distribution of electronic components. Based in Hongkong, we have already established firm and mutual-benefit business relationships with customers from,Europe,America and south Asia,supplying obsolete and hard-to-find components to meet their specific needs.

With the principle of “Quality Parts,Customers Priority,Honest Operation,and Considerate Service”,our business mainly focus on the distribution of electronic components. Line cards we deal with include Microchip,ALPS,ROHM,Xilinx,Pulse,ON,Everlight and Freescale. Main products comprise IC,Modules,Potentiometer,IC Socket,Relay,Connector.Our parts cover such applications as commercial,industrial, and automotives areas.

We are looking forward to setting up business relationship with you and hope to provide you with the best service and solution. Let us make a better world for our industry!



Contact us

Tel: +86-755-8981 8866 Fax: +86-755-8427 6832

Email & Skype: info@chipsmall.com Web: www.chipsmall.com

Address: A1208, Overseas Decoration Building, #122 Zhenhua RD., Futian, Shenzhen, China

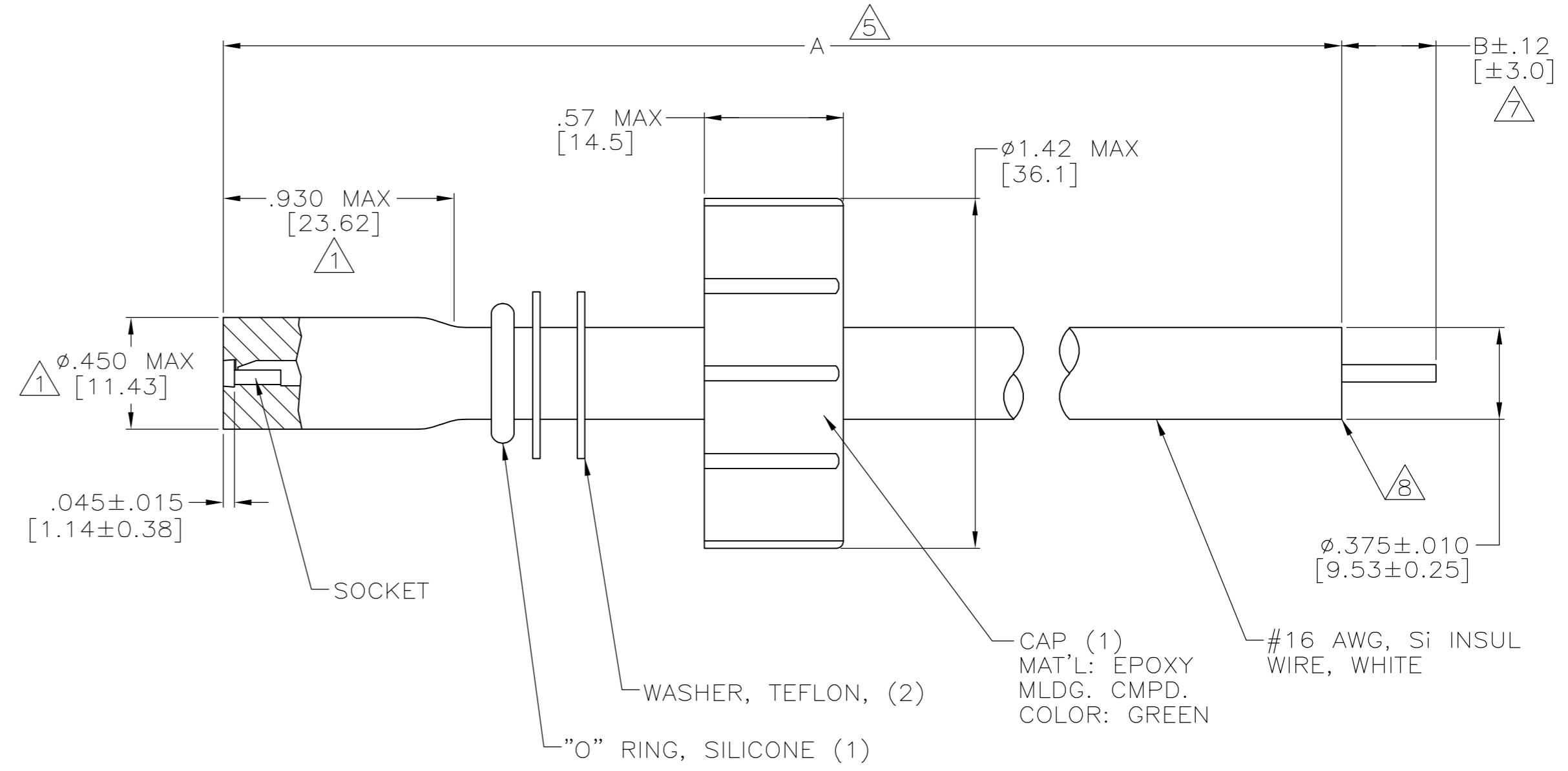


THIS DRAWING IS UNPUBLISHED. RELEASED FOR PUBLICATION - N/A .
 © COPYRIGHT N/A BY TYCO ELECTRONICS CORPORATION. ALL RIGHTS RESERVED.

LOC	DIST	REVISIONS					
DF	SO	P	LTR	DESCRIPTION	DATE	DWN	APVD
		P		REV PER ECO-05-002357	08-05	AA	DE

PART NO.	A	B	REMARKS
836566-1	6.00 [152.4]	.38 [9.7]	△ OBSOLETE
836566-2	12.00 [304.8]	.38 [9.7]	△ OBSOLETE
836566-3	18.00 [457.2]	.38 [9.7]	△ OBSOLETE
836566-4	24.00 [609.6]	.38 [9.7]	△ OBSOLETE
836566-5	36.00 [914.4]	.38 [9.7]	△ OBSOLETE
836566-6	60.00 [1524.0]	.38 [9.7]	△ OBSOLETE
836566-7	15.00 [381.0]	.38 [9.7]	△
836566-8	17.00 [431.8]	.38 [9.7]	△
836566-9	32.00 [812.8]	.38 [9.7]	△ OBSOLETE
1-836566-0	20.00 [508.0]	.38 [9.7]	△ OBSOLETE
1-836566-1	144.00 [3657.6]	.38 [9.7]	△ OBSOLETE
1-836566-2	6.00 [152.4]	-	△ OBSOLETE
1-836566-3	72.00 [1828.8]	.38 [9.7]	△ OBSOLETE
1-836566-4	96.00 [2438.4]	.38 [9.7]	△ OBSOLETE
1-836566-5	120.00 [3048.0]	.38 [9.7]	△ OBSOLETE
1-836566-6	48.00 [1219.2]	.38 [9.7]	△ OBSOLETE
1-836566-7	50.00 [1270.0]	.38 [9.7]	△ OBSOLETE
1-836566-8	3.00 [76.2]	.38 [9.7]	△ OBSOLETE
1-836566-9	25.00 [635.0]	.38 [9.7]	△
2-836566-0	11.00 [279.4]	.38 [9.7]	△ OBSOLETE
2-836566-1	4.00 [101.6]	.38 [9.7]	△ OBSOLETE
2-836566-2	16.00 [406.4]	.38 [9.7]	△ OBSOLETE
2-836566-3	36.00 [914.4]	.38 [9.7]	△ OBSOLETE
2-836566-4	40.00 [1016.0]	.38 [9.7]	△
2-836566-5	80.00 [2032.0]	.38 [9.7]	△ OBSOLETE
2-836566-6	78.75 [2000.2]	.38 [9.7]	△ OBSOLETE
2-836566-7	39.38 [1000.3]	.38 [9.7]	△ OBSOLETE
2-836566-8	98.50 [2501.9]	.38 [9.7]	△ OBSOLETE
2-836566-9	5.00 [127.0]	.38 [9.7]	△ OBSOLETE
3-836566-0	15.75 [400.0]	-	△ OBSOLETE
3-836566-1	30.00 [762.0]	.25 [6.3]	△
3-836566-2	600.00 [15240.0]	.38 [9.7]	△ OBSOLETE
3-836566-3	180.00 [4572.0]	-	△ OBSOLETE
3-836566-4	200.00 [5080.0]	.38 [9.7]	△ OBSOLETE
3-836566-5	118.00 [2997.2]	.38 [9.7]	△ OBSOLETE
3-836566-6	26.00 [660.4]	.38 [9.7]	△ OBSOLETE
3-836566-7	41.00 [1041.4]	.38 [9.7]	△
3-836566-8	59.12 [1501.6]	-	△ OBSOLETE
6-836566-9	25.00 [635.0]	.38 [9.7]	△
8-836566-7	41.00 [1041.4]	.38 [9.7]	△

- △1 .450 MAX DIMENSION HELD OVER THE .930 MAX AREA ONLY.
- 2. MARKED PER MIL-STD-130.
- 3. DIMENSIONS IN BRACKETS ARE IN MILLIMETERS. METRIC EQUIVALENTS ARE BASED UPON 1.00 INCH = 25.4 mm.
- 4. LEADS WILL MATE WITH AMP LGH-4 RECEPTACLES.
- △5 TOLERANCE OF LEAD LENGTH:
UP TO 24 INCHES [609.6] = ±.12 [±3.0]
24 INCHES [609.6] & UP = 1%
- 6. OPERATING VOLTAGE: 50 KVDC AT 0 TO 70,000 FEET, -55°C TO 125°C.
- △7 WHERE APPLICABLE "B" LENGTH IS SOLDER DIPPED.
- △8 INSULATION CUT, BUT NOT REMOVED.



THIS DRAWING IS A CONTROLLED DOCUMENT.		DWN	26-SEP-89	 Tyco Electronics Corporation Harrisburg, Pa 17105-3608
DIMENSIONS: INCHES [mm]		CHK	26-SEP-89	
TOLERANCES UNLESS OTHERWISE SPECIFIED:		APVD	26-SEP-89	
0 PLC ± - 1 PLC ± - 2 PLC ± - 3 PLC ± - 4 PLC ± - ANGLES ± - FINISH -		NAME		
MATERIAL SEE CALLOUTS		PRODUCT SPEC APPLICATION SPEC WEIGHT -		LEAD ASSY SGL END LGH-4
		SIZE	A2	RESTRICTED TO
		CAGE CODE	00779	
		DRAWING NO	C=836566	
		SCALE	2:1	
		SHEET	1 OF 1	
		REV	P	