



Chipsmall Limited consists of a professional team with an average of over 10 year of expertise in the distribution of electronic components. Based in Hongkong, we have already established firm and mutual-benefit business relationships with customers from,Europe,America and south Asia,supplying obsolete and hard-to-find components to meet their specific needs.

With the principle of “Quality Parts,Customers Priority,Honest Operation,and Considerate Service”,our business mainly focus on the distribution of electronic components. Line cards we deal with include Microchip,ALPS,ROHM,Xilinx,Pulse,ON,Everlight and Freescale. Main products comprise IC,Modules,Potentiometer,IC Socket,Relay,Connector.Our parts cover such applications as commercial,industrial, and automotives areas.

We are looking forward to setting up business relationship with you and hope to provide you with the best service and solution. Let us make a better world for our industry!



Contact us

Tel: +86-755-8981 8866 Fax: +86-755-8427 6832

Email & Skype: info@chipsmall.com Web: www.chipsmall.com

Address: A1208, Overseas Decoration Building, #122 Zhenhua RD., Futian, Shenzhen, China

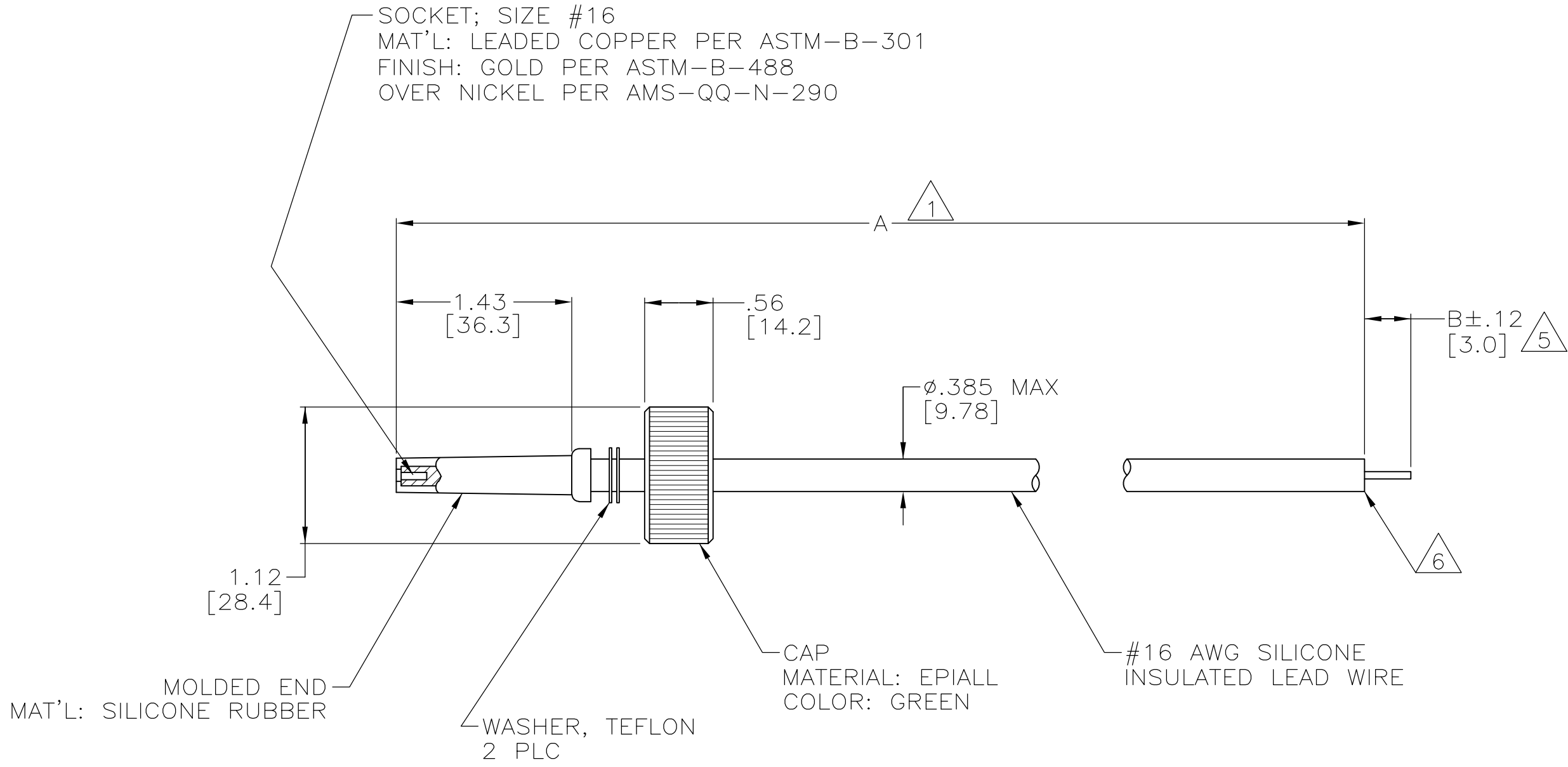


THIS DRAWING IS UNPUBLISHED. RELEASED FOR PUBLICATION - N/A .
 © COPYRIGHT N/A BY TYCO ELECTRONICS CORPORATION. ALL RIGHTS RESERVED.

LOC	DIST	REVISIONS					
DF	S0	P	LTR	DESCRIPTION	DATE	DWN	APVD
		AC		REVISED PER ECO-08-026029	13NOV08	CT	SG

PART NO.	A $\triangle 1$	B	REMARKS
839564-1	12.00 [304.8]	.38 [9.7]	$\triangle 5$
839564-2	24.00 [609.6]	.38 [9.7]	$\triangle 5$
839564-3	4.50 [114.3]	.38 [9.7]	$\triangle 5$
839564-4	6.50 [165.1]	.38 [9.7]	$\triangle 5$
839564-5	18.00 [457.2]	-	OBSOLETE
839564-6	17.00 [431.8]	-	OBSOLETE
839564-7	15.00 [381.0]	.38 [9.7]	$\triangle 5$
839564-8	60.00 [1524.0]	-	
839564-9	120.00 [3048.0]	.38 [9.7]	$\triangle 5$ OBSOLETE
1-839564-0	96.00 [2438.4]	.38 [9.7]	$\triangle 5$ OBSOLETE
1-839564-1	144.00 [3657.6]	.38 [9.7]	$\triangle 5$
1-839564-2	300.00 [7620.0]	.38 [9.7]	$\triangle 5$ OBSOLETE
1-839564-3	48.00 [1219.2]	.38 [9.7]	$\triangle 5$
1-839564-4	72.00 [1828.8]	.38 [9.7]	$\triangle 5$
1-839564-5	1575.00 [40005.0]	.38 [9.7]	$\triangle 5$ OBSOLETE
1-839564-6	420.00 [10668.0]	.38 [9.7]	$\triangle 5$ OBSOLETE
1-839564-7	118.00 [2997.2]	.38 [9.7]	$\triangle 5$
1-839564-8	6.00 [152.4]	.38 [9.7]	$\triangle 5$
1-839564-9	36.00 [914.4]	.38 [9.7]	$\triangle 5$
2-839564-0	240.00 [6096.0]	.38 [9.7]	$\triangle 5$
2-839564-1	394.00 [10007.6]	.38 [9.7]	$\triangle 5$
2-839564-2	984.00 [24993.6]	.38 [9.7]	$\triangle 5$ OBSOLETE
2-839564-3	19.00 [482.6]	.38 [9.7]	$\triangle 5$ OBSOLETE
2-839564-4	10.00 [254.0]	.38 [9.7]	$\triangle 5$ OBSOLETE
2-839564-5	108.00 [2743.2]	.38 [9.7]	$\triangle 5$ OBSOLETE
2-839564-6	78.75 [2000.2]	.38 [9.7]	$\triangle 5$
2-839564-7	35.00 [889.0]	.38 [9.7]	$\triangle 5$ OBSOLETE
2-839564-8	30.00 [762.0]	.38 [9.7]	$\triangle 5$ OBSOLETE
2-839564-9	18.00 [457.2]	.38 [9.7]	$\triangle 5$
3-839564-0	88.12 [2238.2]	.38 [9.7]	$\triangle 5$
3-839564-1	40.00 [1016.0]	.38 [9.7]	$\triangle 5$
3-839564-2	600.00 [15240.0]	.38 [9.7]	$\triangle 5$ OBSOLETE
3-839564-3	157.50 [4000.5]	.38 [9.7]	$\triangle 5$
3-839564-4	196.88 [5000.8]	.38 [9.7]	$\triangle 5$
3-839564-5	37.40 [950.0]	.38 [9.7]	$\triangle 5$ OBSOLETE
3-839564-6	16.00 [406.4]	.38 [9.7]	$\triangle 5$
3-839564-7	20.00 [508.0]	.38 [9.7]	$\triangle 5$
5-839564-1	12.00 [304.8]	.38 [9.7]	$\triangle 6$
5-839564-2	24.00 [609.6]	.38 [9.7]	$\triangle 6$
5-839564-7	15.00 [381.0]	.38 [9.7]	$\triangle 6$
6-839564-3	48.00 [1219.2]	.38 [9.7]	$\triangle 6$
6-839564-7	118.00 [2997.2]	.38 [9.7]	$\triangle 6$
6-839564-9	36.00 [914.4]	.38 [9.7]	$\triangle 6$
7-839564-0	240.00 [6096.0]	.38 [9.7]	$\triangle 6$
7-839564-1	394.00 [10007.6]	.38 [9.7]	$\triangle 6$
7-839564-6	78.75 [2000.2]	.38 [9.7]	$\triangle 6$
8-839564-0	88.12 [2238.2]	.38 [9.7]	$\triangle 6$
8-839564-1	40.00 [1016.0]	.38 [9.7]	$\triangle 6$
8-839564-3	157.50 [4000.5]	.38 [9.7]	$\triangle 6$
8-839564-4	196.88 [5000.8]	.38 [9.7]	$\triangle 6$

- $\triangle 1$ TOLERANCE OF LEAD LENGTH:
UP TO 24 INCHES [609.6] = ± 1.2 [3.0]
24 INCHES [609.6] & UP = $\pm 1\%$
- 2 MARKED PER MIL-STD-130.
- 3 TO MATE WITH AMP LGH-2
RECEPTACLE WITH 1.43 [36.3] BARREL DEPTH.
- 4 OPERATING VOLTAGE: 30 KVDC AT 0 TO 70,000 FEET,
-55°C TO +125°C.
- $\triangle 5$ PIGTAIL IS SOLDER DIPPED.
- $\triangle 6$ INSULATION CUT, BUT NOT REMOVED.



THIS DRAWING IS A CONTROLLED DOCUMENT.		DWN C.C.THOMAS 15-FEB-93	Tyco Electronics Corporation Harrisburg, PA 17105-3608	
DIMENSIONS: INCHES [mm]		CHK S.GLATFELTER 16-FEB-93	NAME LEAD ASSY SINGLE END LGH-2	
TOLERANCES UNLESS OTHERWISE SPECIFIED: 0 PLC ± - 1 PLC ± - 2 PLC ± .02 [0.5] 3 PLC ± .005 [0.13] 4 PLC ± - ANGLES ± -		APVD S.GLATFELTER 16-FEB-93	PRODUCT SPEC -	
MATERIAL SEE CALLOUTS		FINISH SEE CALLOUTS	APPLICATION SPEC -	RESTRICTED TO -
CUSTOMER DRAWING		WEIGHT -	SCALE A2 00779	DRAWING NO C=839564
		SCALE 1:1	SHEET 1 of 1	REV AC