



Chipsmall Limited consists of a professional team with an average of over 10 year of expertise in the distribution of electronic components. Based in Hongkong, we have already established firm and mutual-benefit business relationships with customers from,Europe,America and south Asia,supplying obsolete and hard-to-find components to meet their specific needs.

With the principle of “Quality Parts,Customers Priority,Honest Operation,and Considerate Service”,our business mainly focus on the distribution of electronic components. Line cards we deal with include Microchip,ALPS,ROHM,Xilinx,Pulse,ON,Everlight and Freescale. Main products comprise IC,Modules,Potentiometer,IC Socket,Relay,Connector.Our parts cover such applications as commercial,industrial, and automotives areas.

We are looking forward to setting up business relationship with you and hope to provide you with the best service and solution. Let us make a better world for our industry!



## Contact us

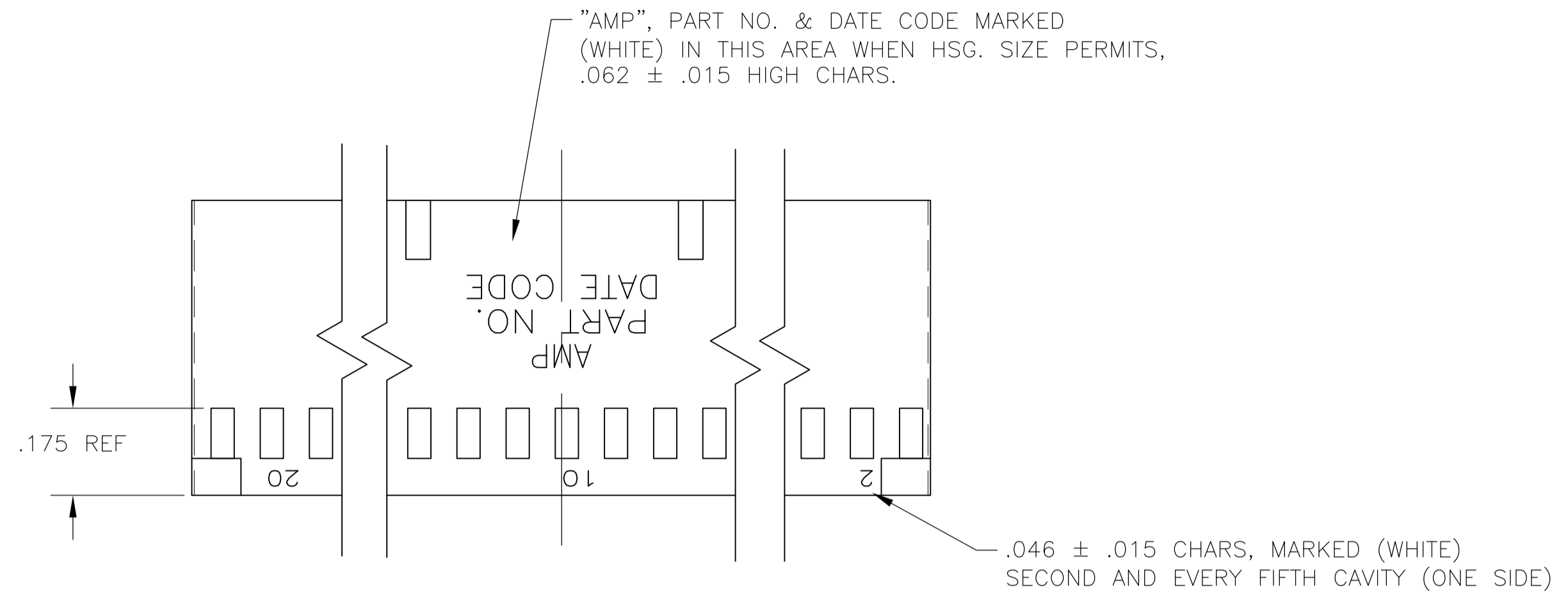
Tel: +86-755-8981 8866 Fax: +86-755-8427 6832

Email & Skype: info@chipsmall.com Web: www.chipsmall.com

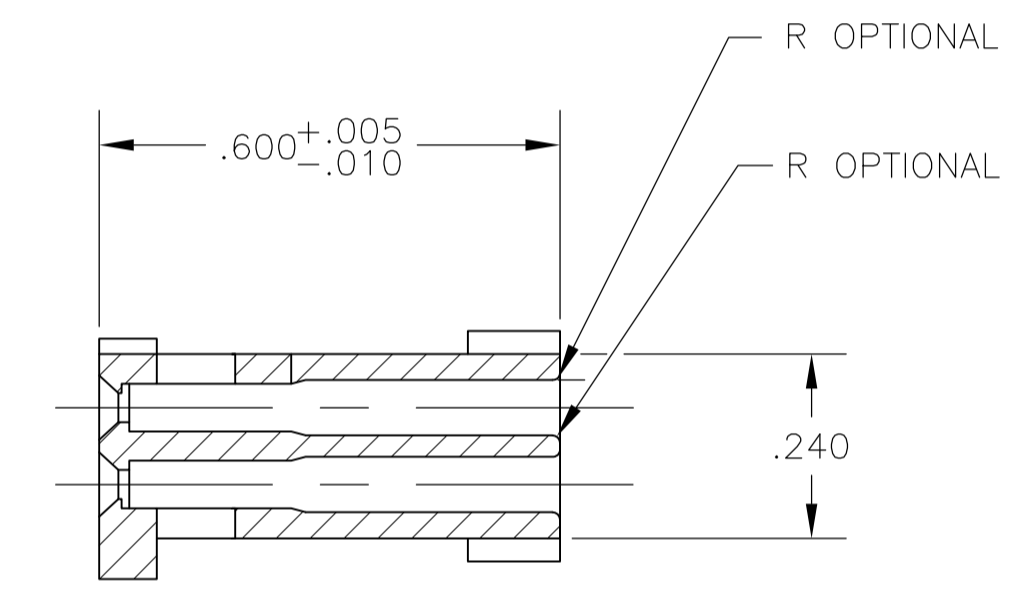
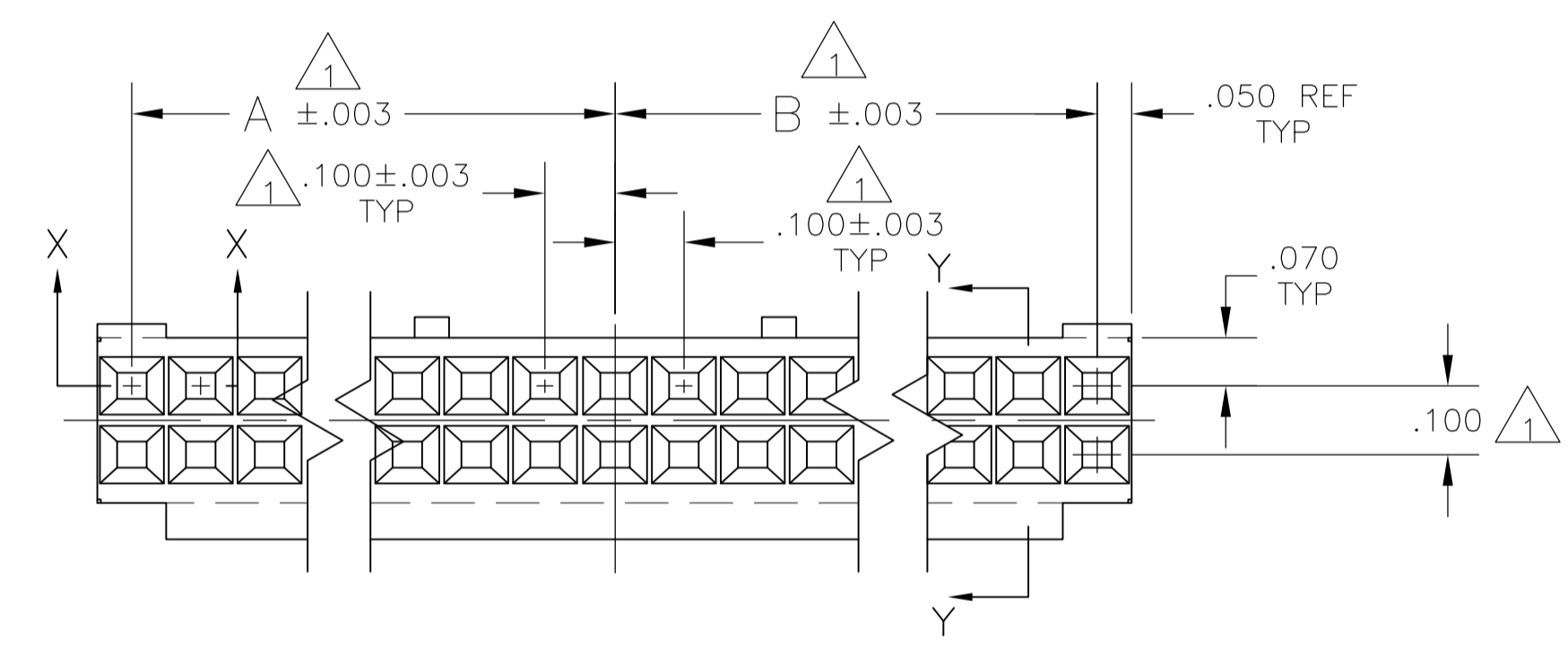
Address: A1208, Overseas Decoration Building, #122 Zhenhua RD., Futian, Shenzhen, China



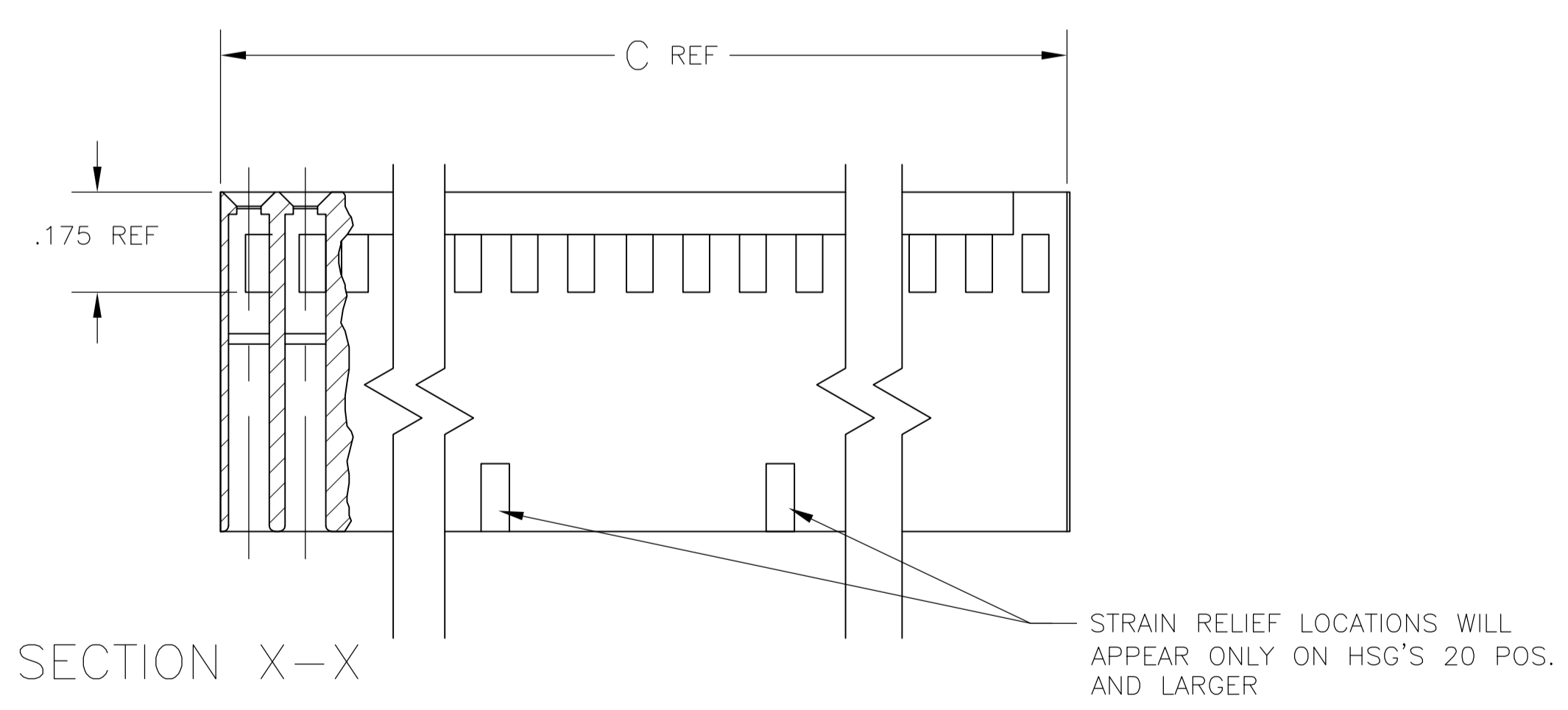
LOC		DIST		REVISIONS			
AD	00	REV	DATE	BY	CHK	APPV	
T3	REVISED PER	ECO-11-004587	11MAR11	RK	HMR		



- 1 CAVITY LOCATION DIMENSIONS INCREASE IN INCREMENTS OF .100 TOLERANCES ARE NON-CUMULATIVE
- 2 USE EXTRACTION TOOL 91052-1 TO REMOVE RECEPTACLE CONTACTS.
- 3 THESE HOUSINGS ARE COMPATIBLE WITH ANY MOD II SHROUDED HEADER
- 4 HOUSING WILL ACCOMMODATE ALL MOD IV, IV.5 AND MOD V CONTACTS.
- 5 OBSOLETE PARTS: OBSOLETE CIS STREAMLINING PER D.RENAUD/D.SINISI



SECTION Y-Y



C	B	A	POS	PART NUMBER (UNMARKED)	NUMBER PART (MARKED)
3.200	1.500	1.600	64	6-87977-2	6-87977-1
2.900	1.400	1.400	58	6-87977-0	5-87977-9
2.800	1.300	1.400	56	5-87977-8	5-87977-7
2.400	1.100	1.200	48	5-87977-6	5-87977-5
3.600	1.700	1.800	72	5-87977-4	2-87977-7
3.500	1.700	1.700	70	5-87977-3	2-87977-6
3.300	1.600	1.600	66	5-87977-2	2-87977-5
3.000	1.400	1.500	60	5-87977-1	5-87977-4
2.700	1.300	1.300	54	5-87977-0	2-87977-3
2.600	1.200	1.300	52	4-87977-9	2-87977-2
2.500	1.200	1.200	50	4-87977-8	2-87977-1
2.200	1.000	1.100	44	4-87977-7	2-87977-0
2.100	1.000	1.000	42	4-87977-6	1-87977-9
2.000	.900	1.000	40	4-87977-5	1-87977-8
1.900	.900	.900	38	4-87977-4	1-87977-7
1.800	.800	.900	36	4-87977-3	1-87977-6
1.700	.800	.800	34	4-87977-2	1-87977-5
1.600	.700	.800	32	4-87977-1	1-87977-4
1.500	.700	.700	30	4-87977-0	1-87977-3
1.400	.600	.700	28	3-87977-9	1-87977-2
1.300	.600	.600	26	3-87977-8	1-87977-1
1.200	.500	.600	24	3-87977-7	1-87977-0
1.100	.500	.500	22	3-87977-6	87977-9
1.000	.400	.500	20	3-87977-5	87977-8
.900	.400	.400	18	3-87977-4	87977-7
.800	.300	.400	16	3-87977-3	87977-6
.700	.300	.300	14	3-87977-2	87977-5
.600	.200	.300	12	3-87977-1	87977-4
.500	.200	.200	10	3-87977-0	87977-3
.400	.100	.200	8	2-87977-9	87977-2
.300	.100	.100	6	2-87977-8	87977-1

THIS DRAWING IS A CONTROLLED DOCUMENT. DWG BOB BOLES BG 18DEC89  
 CHK 05OCT93  
 P-SREMCJCH  
 P-SREMCJCH 05OCT93 NAME  
 PRODUCT SPEC  
 APPLICATION SPEC  
 MATERIAL: FLAME RETARDANT GLASS FILLED NYLON COLOR-BLACK PER ASTM D4066  
 FINISH: -  
 WEIGHT: -  
 CUSTOMER DRAWING  
 SCALE: 4:1 SHEET 1 OF 1 REV T3  
**STE** TE Connectivity  
 CONNECTOR HSG., MOD IV, CRIMP SNAP-IN, .100 X .100 CL