



Chipsmall Limited consists of a professional team with an average of over 10 year of expertise in the distribution of electronic components. Based in Hongkong, we have already established firm and mutual-benefit business relationships with customers from,Europe,America and south Asia,supplying obsolete and hard-to-find components to meet their specific needs.

With the principle of “Quality Parts,Customers Priority,Honest Operation,and Considerate Service”,our business mainly focus on the distribution of electronic components. Line cards we deal with include Microchip,ALPS,ROHM,Xilinx,Pulse,ON,Everlight and Freescale. Main products comprise IC,Modules,Potentiometer,IC Socket,Relay,Connector.Our parts cover such applications as commercial,industrial, and automotives areas.

We are looking forward to setting up business relationship with you and hope to provide you with the best service and solution. Let us make a better world for our industry!



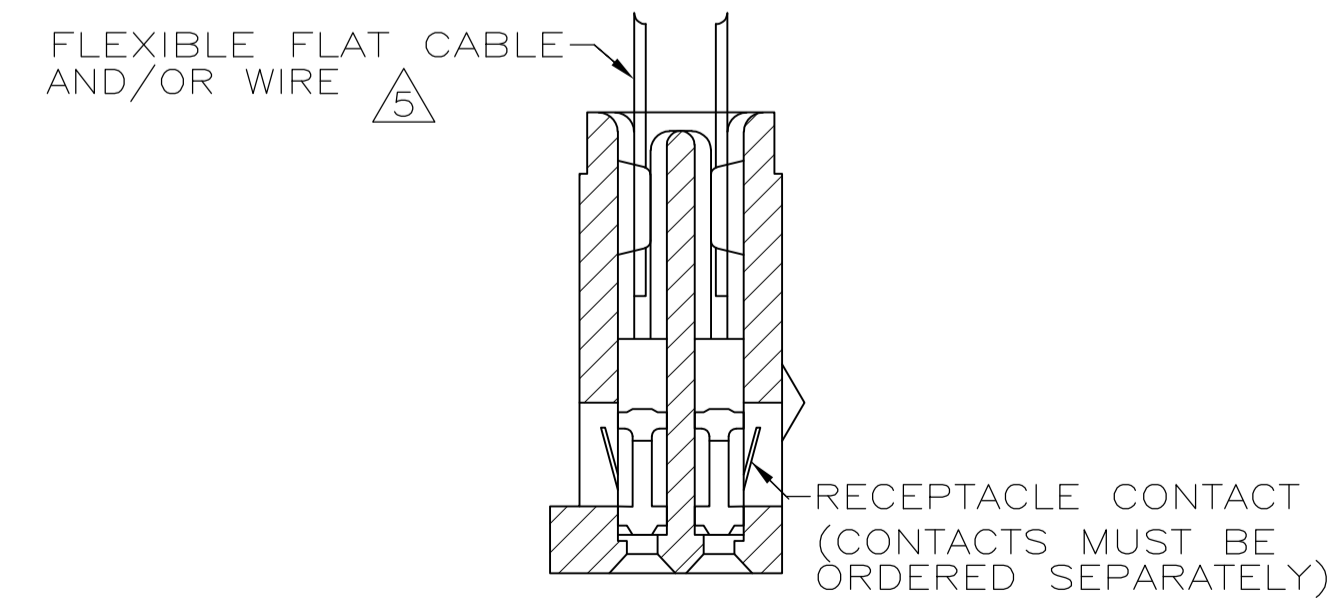
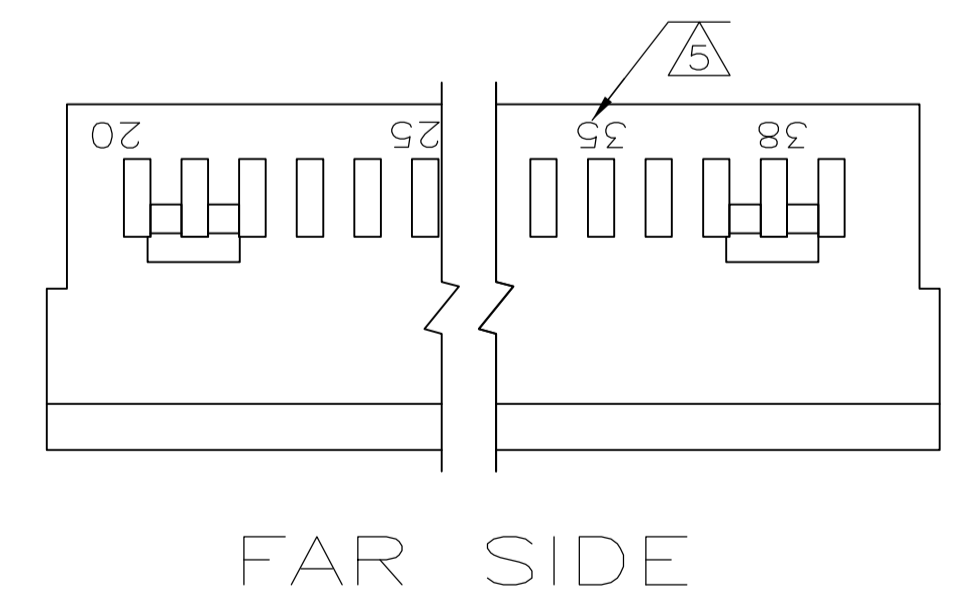
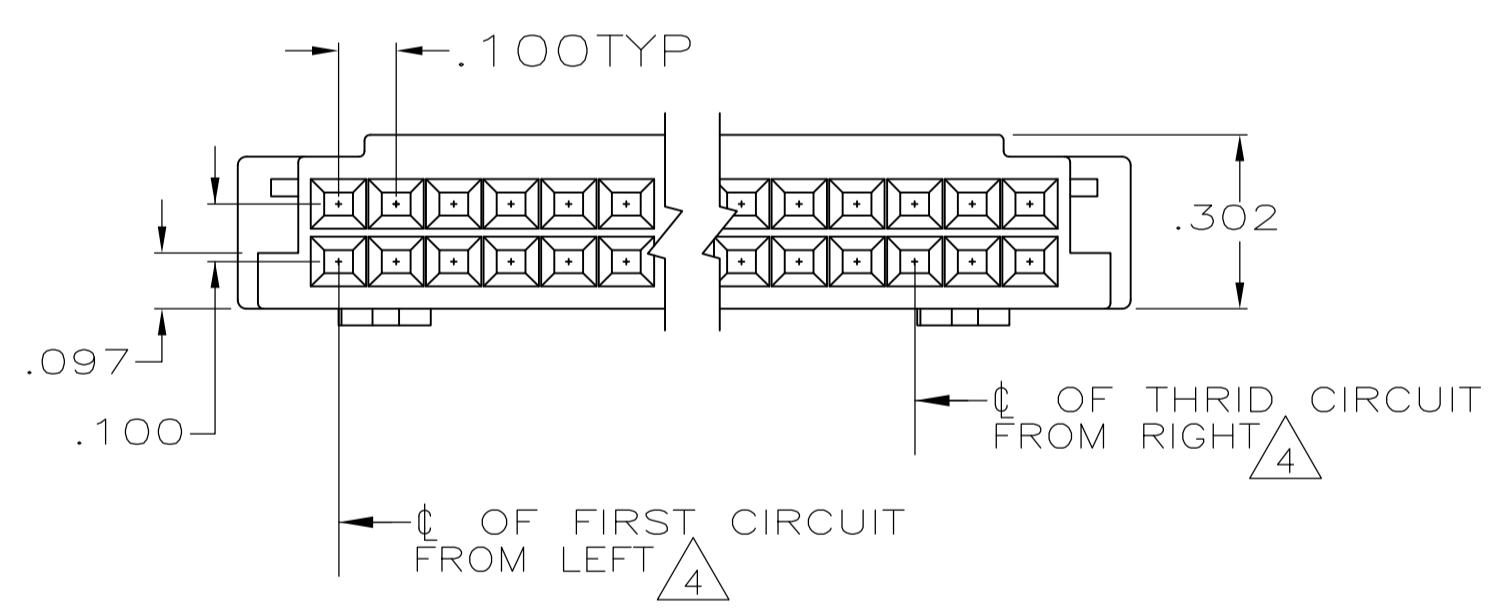
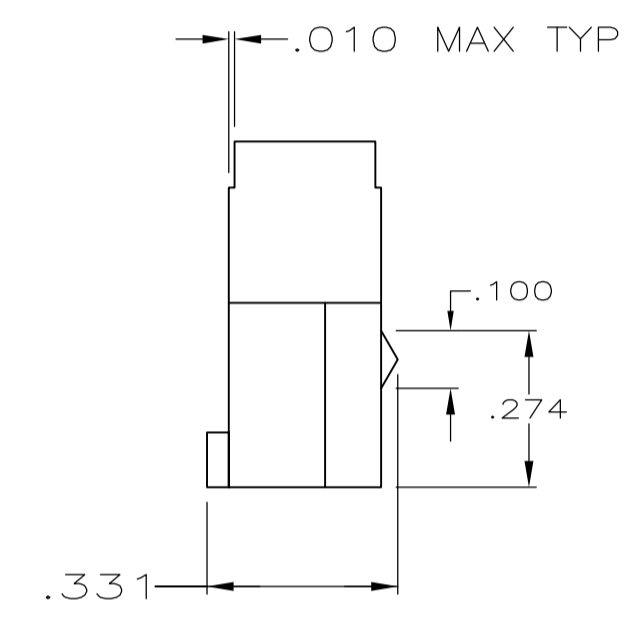
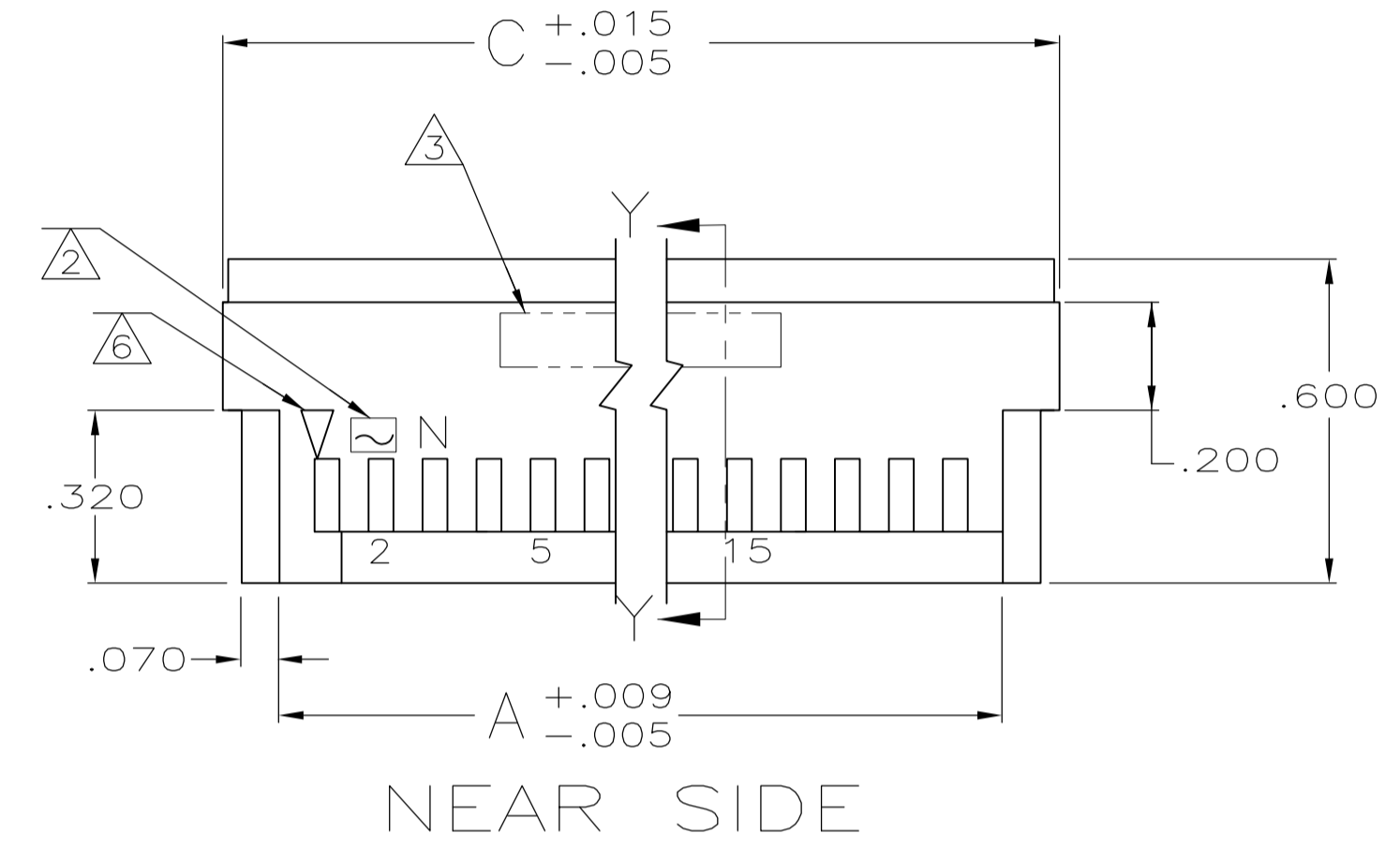
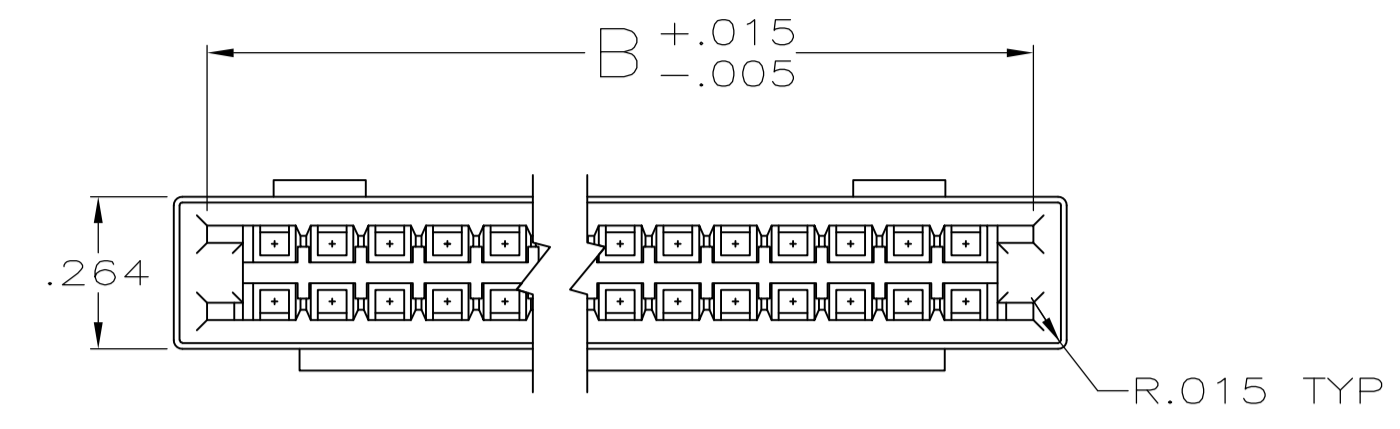
## Contact us

Tel: +86-755-8981 8866 Fax: +86-755-8427 6832

Email & Skype: info@chipsmall.com Web: www.chipsmall.com

Address: A1208, Overseas Decoration Building, #122 Zhenhua RD., Futian, Shenzhen, China





- ① HOUSING WILL ACCOMODATE FLEXIBLE FLAT CABLE .050 OR .062 WIDE CONDUCTORS (CABLE .015 MAX THK) AND/OR #22-32 AWG WIRE WITH INSULATION RANGE OF .045 TO .069 DIA.
- ② MOLDED "AMP" TRADEMARK, IN THIS AREA
- ③ PART NO. AND DATE CODE INK STAMPED, WHITE.
- ④ DETENTS: 6,8,10,12 & 18 POSN,(1) DETENT LOCATED AS FOLLOWS:  
6 & 8 POSN-  $\phi$  OF THRID CIRCUIT FROM RIGHT  
10 & 12 POSN-  $\phi$  OF FOURTH CIRCUIT FROM RIGHT  
18 POSN-  $\phi$  OF SIXTH CIRCUIT FROM RIGHT  
20 POSN & ABOVE- (2) DETENTS LOCATED AS SHOWN
- ⑤ CAVITY IDENT NO.INK STAMPED (WHITE), (SEE TABLE)
- ⑥ INDICATES POSITION 1, SURFACE TEXTURE CONTRAST'S WITH REST OF HOUSING
- ⑦ THIS HOUSING WILL MATE WITH FFC PIN HOUSING
- ⑧ OBSOLETE PART NUMBER
- ⑨ SUPERSEDED BY AS MOLDED PART NUMBER.
- ⑩ GLASS-FILLED NYLON, BLACK, UL V-0.
- ⑪ OBSOLETE PARTS: OBSOLETE CIS STREAMLINING PER D.RENAUD/D.SINISI

⑧ 4-88179-1	12-15-22	2-5-10	1.350	1.234	1.140	22	⑧ 4-88179-2
⑧ 3-88179-9			.650	.534	.440	8	⑧ 4-88179-0
⑧ 3-88179-7	16-20-25-30	2-5-10-14	1.750	1.634	1.540	30	⑧ 3-88179-8
⑧ 3-88179-5	18-25-30-34	2-5-10-16	1.950	1.834	1.740	34	⑧ 3-88179-6
① 3-88179-3	7-12	2-5	.850	.734	.640	12	⑧ 3-88179-4
⑧ 3-88179-1	4-6	2	.550	.434	.340	6	⑧ 3-88179-2
⑧ 2-88179-9	6-10	2-4	.750	.634	.540	10	⑧ 3-88179-0
⑧ 2-88179-7			3.750	3.634	3.540	70	⑧ 2-88179-8
⑧ 2-88179-5			3.150	3.034	2.940	58	⑧ 2-88179-6
⑧ 2-88179-3	23-25-30-35-40-44	2-5-10-15-20-21	2.450	2.334	2.240	44	⑧ 2-88179-4
⑧ 2-88179-1	21-25-30-35-40	2-5-10-15-19	2.250	2.134	2.040	40	⑧ 2-88179-2
⑧ 1-88179-9	19-25-30-36	2-5-10-17	2.050	1.934	1.840	36	① 2-88179-0
⑧ 1-88179-7			1.650	1.534	1.440	28	⑧ 1-88179-8
⑧ 1-88179-5	14-20-26	2-5-12	1.550	1.434	1.340	26	① 1-88179-6
① 1-88179-3	13-20-24	2-5-11	1.450	1.334	1.240	24	⑧ 1-88179-4
① 1-88179-1	26-30-35-40-45-50	2-5-10-15-20-24	2.750	2.634	2.540	50	⑧ 1-88179-2
① 88179-9	10-15-18	2-5-8	1.150	1.034	.940	18	⑧ 1-88179-0
⑧ 88179-7	34-40-45-50-55-60-66	2-5-10-15-20-25-32	3.550	3.434	3.340	66	① 88179-8
⑧ 88179-3	20-25-30-35-38	2-5-10-15-18	2.150	2.034	1.940	38	⑧ 88179-6
① 88179-2	11-15-20	2-5-9	1.250	1.134	1.040	20	⑧ 88179-5
⑧ 88179-1			3.250	3.134	3.040	60	⑧ 88179-4

INK STAMPED	FAR SIDE	NEAR SIDE	C	B	A	NO OF POS'N	AS MOLDED
PART NUMBER	CAVITY POSN NO. STAMPED						PART NUMBER

THIS DRAWING IS A CONTROLLED DOCUMENT.		DIN	11/07/88
KATE HELM		CHK	3-6-89
D.L.ROCKER		APVD	
DIMENSIONS: INCHES		TOLERANCES UNLESS OTHERWISE SPECIFIED:	
0 PLC	± .005	1 PLC	± .005
1 PLC	± .005	2 PLC	± .005
2 PLC	± .005	3 PLC	± .005
3 PLC	± .005	4 PLC	± .005
4 PLC	± .005	ANGLES	± .005
MATERIAL	FINISH	WEIGHT	
⑩		A1	00779
CUSTOMER DRAWING		SCALE	3:1
		SHEET	1 OF 1
		REV	AR2