



Chipsmall Limited consists of a professional team with an average of over 10 year of expertise in the distribution of electronic components. Based in Hongkong, we have already established firm and mutual-benefit business relationships with customers from,Europe,America and south Asia,supplying obsolete and hard-to-find components to meet their specific needs.

With the principle of "Quality Parts,Customers Priority,Honest Operation,and Considerate Service",our business mainly focus on the distribution of electronic components. Line cards we deal with include Microchip,ALPS,ROHM,Xilinx,Pulse,ON,Everlight and Freescale. Main products comprise IC,Modules,Potentiometer,IC Socket,Relay,Connector.Our parts cover such applications as commercial,industrial, and automotives areas.

We are looking forward to setting up business relationship with you and hope to provide you with the best service and solution. Let us make a better world for our industry!



Contact us

Tel: +86-755-8981 8866 Fax: +86-755-8427 6832

Email & Skype: info@chipsmall.com Web: www.chipsmall.com

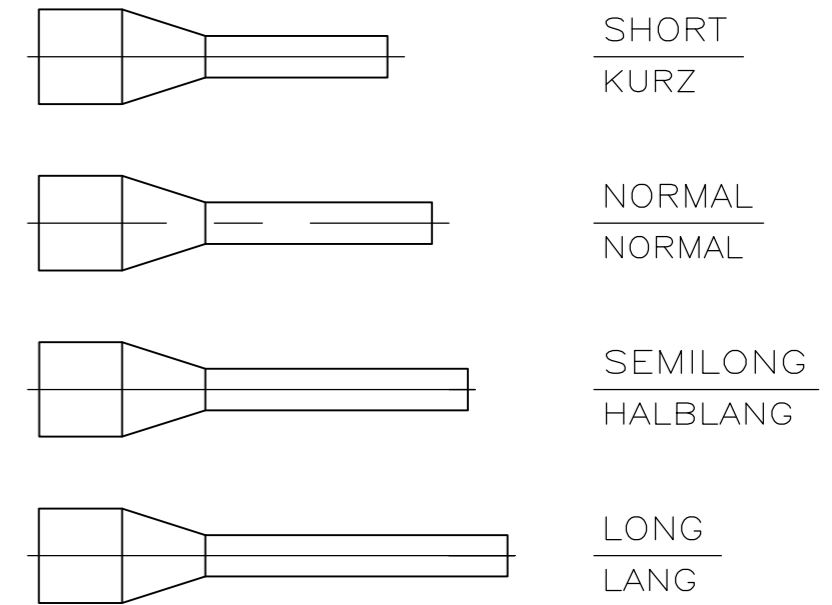
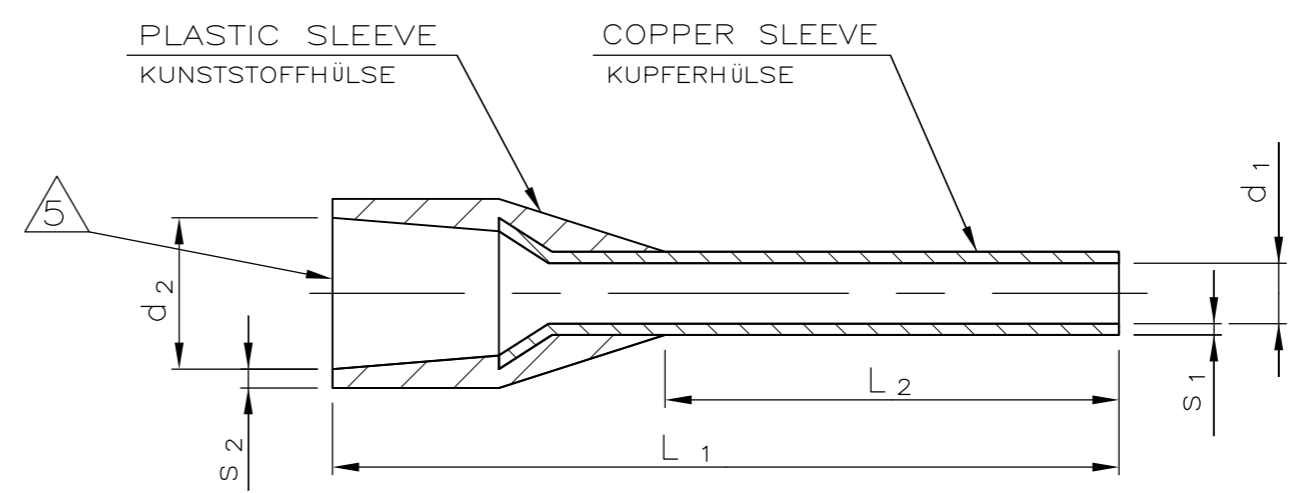
Address: A1208, Overseas Decoration Building, #122 Zhenhua RD., Futian, Shenzhen, China



THIS DRAWING IS UNPUBLISHED.
 VERTRAULICHE UNVERÖFFENTLICHTE ZEICHNUNG
 © COPYRIGHT - By -
 RELEASED FOR PUBLICATION
 FREI FUER VERÖFFENTLICHUNG
 ALL RIGHTS RESERVED.
 ALLE RECHTE VORBEHALTEN

LOC	DIST	REVISIONS			
		P	LTR	DESCRIPTION	DATE
A1	-				
		A2		REVISED PER ECR-09-018681	20AUG09
		A3		REVISED PER ECO-10-002990	28JAN10
		A4		ECR-10-026307	20JAN11

ORDER NO. BESTELL-NR.	CROSS-SECTION QUERSCHNITT		STRIP LENGTH ABISOLIER-LÄNGE	TYPE AUSFÜHRUNG	COLOUR FARBE	L ₁ /mm	L ₂ /mm	d ₁ /mm	s ₁ /mm	d ₂ /mm	s ₂ /mm	PACKING UNIT VERPACKUNGS-EINHEIT
	mm ²	AWG										
966 292-1	0.14	26	8	NORMAL	BROWN	10 ±1.5	6 ±0.4	0.7 +0.14	0.15 ±0.05	1.6 ±0.2	0.25 ±0.10	500
966 292-2	0.14	26	8	LONG	BROWN	12 ±1.5	8 ±0.4	0.7 +0.14	0.15 ±0.05	1.6 ±0.2	0.25 ±0.10	500
966 292-3	0.25	23	10	NORMAL	YELLOW	10 ±1.5	6 ±0.4	0.75 +0.14	0.15 ±0.05	1.8 ±0.2	0.25 ±0.10	500
966 292-4	0.25	23	10	LONG	YELLOW	12 ±1.5	8 ±0.4	0.75 +0.14	0.15 ±0.05	1.8 ±0.2	0.25 ±0.10	500
966 292-5	0.34	22	8	NORMAL	GREEN	10 ±1.5	6 ±0.4	0.8 +0.14	0.15 ±0.05	2.0 ±0.2	0.25 ±0.10	500
966 292-6	0.34	22	10	LONG	GREEN	12 ±1.5	8 ±0.4	0.8 +0.14	0.15 ±0.05	2.0 ±0.2	0.25 ±0.10	500
966 292-7	0.50	20	8	SHORT	WHITE	12 ±1.5	6 ±0.4	1.0 +0.14	0.15 ±0.05	2.6 ±0.2	0.25 ±0.10	500
966 292-8	0.50	20	10	NORMAL	WHITE	14 ±1.5	8 ±0.4	1.0 +0.14	0.15 ±0.05	2.6 ±0.2	0.25 ±0.10	500
966 292-9	0.50	20	12	SEMILONG	WHITE	16 ±1.5	10 ±0.4	1.0 +0.14	0.15 ±0.05	2.6 ±0.2	0.25 ±0.10	500
1-966 292-0	0.75	18	8	SHORT	BLUE	12 ±1.5	6 ±0.4	1.2 +0.14	0.15 ±0.05	2.8 ±0.2	0.25 ±0.10	500
1-966 292-1	0.75	18	10	NORMAL	BLUE	14 ±1.5	8 ±0.4	1.2 +0.14	0.15 ±0.05	2.8 ±0.2	0.25 ±0.10	500
1-966 292-2	0.75	18	12	SEMILONG	BLUE	16 ±1.5	10 ±0.4	1.2 +0.14	0.15 ±0.05	2.8 ±0.2	0.25 ±0.10	500
1-966 292-3	0.75	18	14	LONG	BLUE	18 ±1.5	12 ±0.6	1.2 +0.14	0.15 ±0.05	2.8 ±0.2	0.25 ±0.10	500
1-966 292-4	1.00	17	8	SHORT	RED	12 ±1.5	6 ±0.4	1.4 +0.14	0.15 ±0.05	3.0 ±0.2	0.25 ±0.10	500
1-966 292-5	1.00	17	10	NORMAL	RED	14 ±1.5	8 ±0.4	1.4 +0.14	0.15 ±0.05	3.0 ±0.2	0.25 ±0.10	500
1-966 292-6	1.00	17	12	SEMILONG	RED	16 ±1.5	10 ±0.4	1.4 +0.14	0.15 ±0.05	3.0 ±0.2	0.25 ±0.10	500
1-966 292-7	1.00	17	14	LONG	RED	18 ±1.5	12 ±0.6	1.4 +0.14	0.15 ±0.05	3.0 ±0.2	0.25 ±0.10	500
1-966 292-8	1.50	16	10	NORMAL	BLACK	14 ±1.5	8 ±0.4	1.7 +0.25	0.15 ±0.05	3.5 ±0.2	0.25 ±0.10	500
1-966 292-9	1.50	16	12	SEMILONG	BLACK	16 ±1.5	10 ±0.4	1.7 +0.25	0.15 ±0.05	3.5 ±0.2	0.25 ±0.10	500
2-966 292-0	1.50	16	20	LONG	BLACK	24 ±2.0	18 ±0.6	1.7 +0.25	0.15 ±0.05	3.5 ±0.2	0.25 ±0.10	500
2-966 292-1	2.50	14	10	NORMAL	GREY	14 ±1.5	8 ±0.4	2.2 +0.25	0.15 ±0.05	4.2 ±0.2	0.25 ±0.10	500
2-966 292-2	2.50	14	14	SEMILONG	GREY	18 ±1.5	12 ±0.6	2.2 +0.25	0.15 ±0.05	4.2 ±0.2	0.25 ±0.10	500
2-966 292-3	2.50	14	20	LONG	GREY	24 ±2.0	18 ±0.6	2.2 +0.25	0.15 ±0.05	4.2 ±0.2	0.25 ±0.10	500
2-966 292-4	4.00	11	11	NORMAL	ORANGE	17 ±1.5	10 ±0.4	2.8 +0.25	0.20 ±0.05	4.8 ±0.4	0.30 ±0.10	500
2-966 292-5	4.00	11	14	SEMILONG	ORANGE	20 ±1.5	12 ±0.6	2.8 +0.25	0.20 ±0.05	4.8 ±0.4	0.30 ±0.10	500
2-966 292-6	4.00	11	20	LONG	ORANGE	26 ±2.0	18 ±0.6	2.8 +0.25	0.20 ±0.05	4.8 ±0.4	0.30 ±0.10	500
2-966 292-7	6.00	10	14	NORMAL	GREEN	20 ±1.5	12 ±0.6	3.5 +0.30	0.20 ±0.05	6.3 ±0.4	0.30 ±0.10	100
2-966 292-8	6.00	10	20	LONG	GREEN	26 ±2.0	18 ±0.6	3.5 +0.30	0.20 ±0.05	6.3 ±0.4	0.30 ±0.10	100
2-966 292-9	10.00	7	15	NORMAL	BROWN	22 ±2.0	12 ±0.6	4.5 +0.30	0.20 ±0.05	7.6 ±0.4	0.40 ±0.15	100
3-966 292-0	10.00	7	21	LONG	BROWN	28 ±2.0	18 ±0.6	4.5 +0.30	0.20 ±0.05	7.6 ±0.4	0.40 ±0.15	100
3-966 292-1	16.00	6	15	NORMAL	IVORY	24 ±2.0	12 ±0.6	5.8 +0.30	0.20 ±0.05	8.8 ±0.4	0.40 ±0.15	100
3-966 292-2	16.00	6	21	LONG	IVORY	28 ±2.0	18 ±0.6	5.8 +0.30	0.20 ±0.05	8.8 ±0.4	0.40 ±0.15	100
3-966 292-3	25.00	3	19	NORMAL	BLACK	30 ±2.0	16 ±0.6	7.3 +0.40	0.20 ±0.05	11.2 ±0.5	0.40 ±0.15	50
3-966 292-4	25.00	3	25	LONG	BLACK	36 ±2.0	22 ±0.6	7.3 +0.40	0.20 ±0.05	11.2 ±0.5	0.40 ±0.15	50
3-966 292-5	35.00	2	19	NORMAL	RED	30 ±2.0	16 ±0.6	8.3 +0.40	0.20 ±0.05	12.7 ±0.5	0.40 ±0.15	50
3-966 292-6	35.00	2	28	LONG	RED	39 ±2.0	25 ±0.6	8.3 +0.40	0.20 ±0.05	12.7 ±0.5	0.40 ±0.15	50
3-966 292-7	50.00	1	25	NORMAL	BLUE	36 ±2.0	20 ±0.6	10.3 +0.40	0.30 ±0.05	15.0 ±1.0	0.50 ±0.15	50
3-966 292-8	50.00	1	30	LONG	BLUE	40 ±2.0	25 ±0.6	10.3 +0.40	0.30 ±0.05	15.0 ±1.0	0.50 ±0.15	50
3-966 292-9	70.00	1	-	NORMAL	YELLOW	37 ±2.0	21 ±1.0	13.5 +0.50	0.40 ±0.10	16.0 ±1.5	0.60 ±0.20	25
4-966 292-0	95.00	1	-	NORMAL	RED	44 ±2.0	25 ±1.0	14.7 +0.50	0.40 ±0.10	18.0 ±1.5	0.60 ±0.20	25
4-966 292-1	120.00	1	-	NORMAL	BLUE	48 ±2.0	27 ±1.0	16.7 +0.50	0.45 ±0.10	20.0 ±1.5	0.70 ±0.20	25
4-966 292-2	150.00	1	-	NORMAL	YELLOW	58 ±2.0	32 ±1.0	19.5 +0.50	0.50 ±0.10	23.0 ±1.5	1.00 ±0.20	25



- ① THE AWG CROSS-SECTION CAN DIFFER SLIGHTLY TO THE DIN-STANDARD CROSS-SECTION VALUES.
 - ② RECOMMENDED STRIP LENGTH
 - ③ TUBULAR END-SLEEVES PACKED INTO PLASTIC BAG
 - ④ COLOUR TYPE 1: COLOURS PER TELEMECANIQUE STANDARD
 - ⑤ MAX.INSULATION DIA. OF WIRE: d₂ MIN.-0.1
 - 6. USE HAND TOOL 539660-1
 - ⑦ OBSOLETE PARTS: OBSOLETE CIS STREAMLINING PER D.RENAUD/D.SINISI
- ① DER AWG-QUERSCHNITT KANN VON DEN DIN-NORM QUERSCHNITTSWERTEN GERINGFÜGIG ABWEICHEN.
 - ② EMPFOHLENE ABISOLIERLÄNGE
 - ③ ADERENDHÜLSEN IN PLASTIKBEUTEL VERPACKT
 - ④ FARBREIHE 1: FARBEN NACH TELEMECANIQUE STANDARD
 - ⑤ MAX.ISOLATIONS-Ø DER LEITUNG: d₂ MIN.-0.1
 - 6. BENUTZEN SIE HANDWERKZEUG 539660-1

THIS DRAWING IS A CONTROLLED DOCUMENT. DIESE ZEICHNUNG IST EIN KONTROLLIERTES DOKUMENT.		DWN R.SCHMIDT 10-NOV-93		
DIMENSIONS: MASSENHEITEN mm		CHK W.BÖCK 15-JUN-94		
TOLERANCES UNLESS OTHERWISE SPECIFIED: ALLGEMEINTOLERANZEN		APVD G.FELDMEIER 29-NOV-00	NAME	
		PRODUCT SPEC	TUBULAR END-SLEEVE WITH PLASTIC SLEEVE	
MATERIAL PP/E-Cu		APPLICATION SPEC.	COLOUR TYPE 1, NOT PER DIN	
FINISH/OBERFL.: S _n		WEIGHT	SIZE A2	RESTRICTED TO NUR FUER
COLOUR: SEE TABLE		GEWICHT	CAGE CODE 00779	DRAWING NO. ZEICHNUNGS-NR. C=966292
FARBE: SIEHE TABELLE		CUSTOMER DRAWING / KUNDENZEICHNUNG	SCALE MASSSTAB	SHEET 1 OF 1
				REV A4