



Chipsmall Limited consists of a professional team with an average of over 10 year of expertise in the distribution of electronic components. Based in Hongkong, we have already established firm and mutual-benefit business relationships with customers from,Europe,America and south Asia,supplying obsolete and hard-to-find components to meet their specific needs.

With the principle of "Quality Parts,Customers Priority,Honest Operation,and Considerate Service",our business mainly focus on the distribution of electronic components. Line cards we deal with include Microchip,ALPS,ROHM,Xilinx,Pulse,ON,Everlight and Freescale. Main products comprise IC,Modules,Potentiometer,IC Socket,Relay,Connector.Our parts cover such applications as commercial,industrial, and automotives areas.

We are looking forward to setting up business relationship with you and hope to provide you with the best service and solution. Let us make a better world for our industry!



Contact us

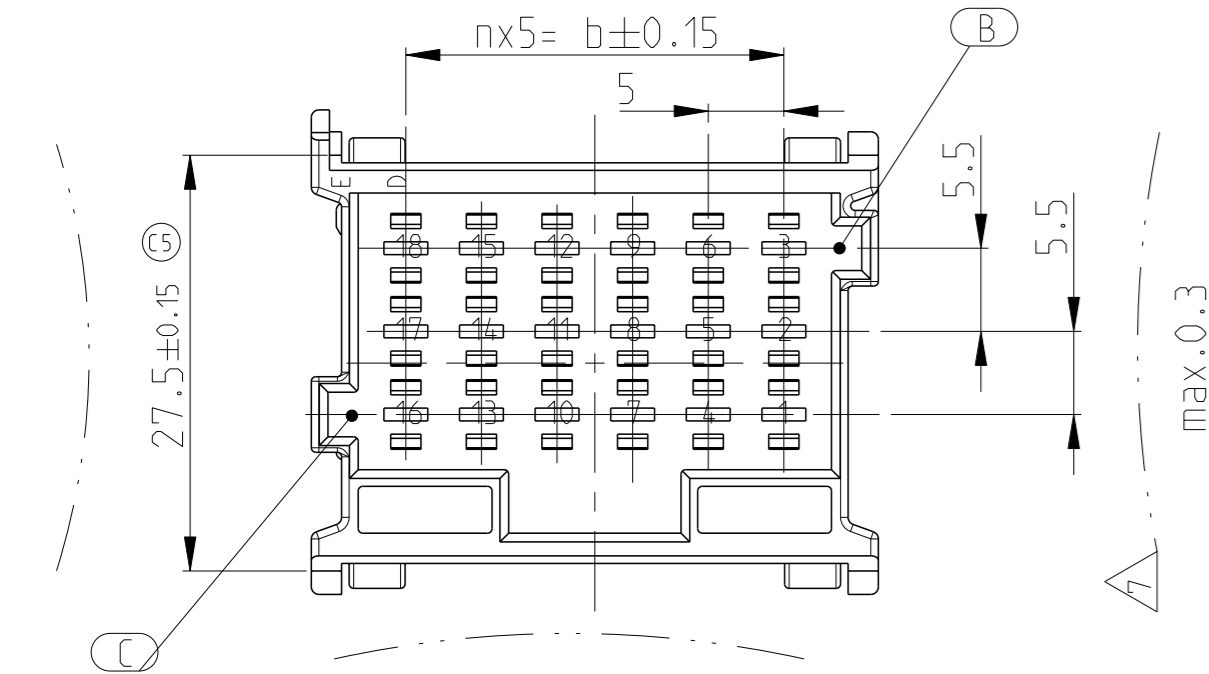
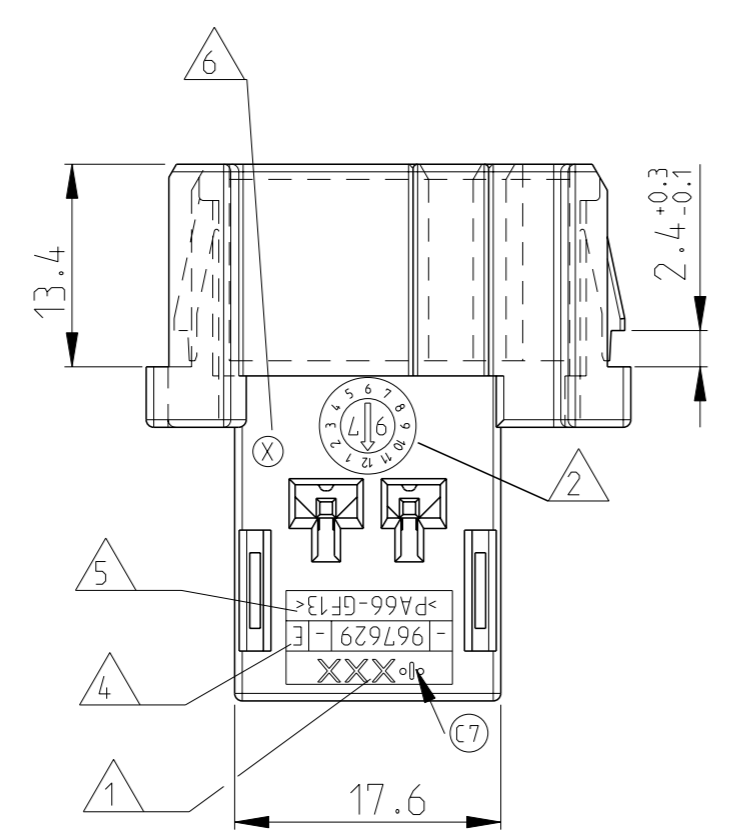
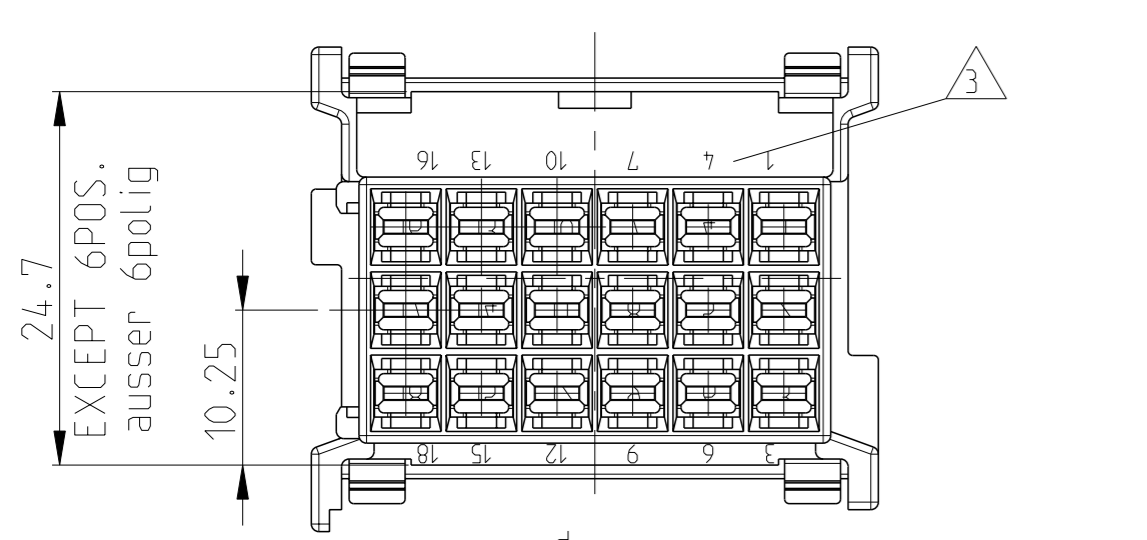
Tel: +86-755-8981 8866 Fax: +86-755-8427 6832

Email & Skype: info@chipsmall.com Web: www.chipsmall.com

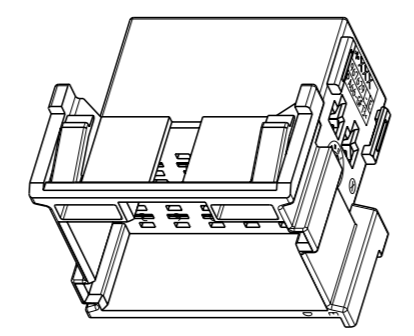
Address: A1208, Overseas Decoration Building, #122 Zhenhua RD., Futian, Shenzhen, China



MATED WITH / GEGENSTÄND ZU: SEE 1355071 AND 1355073		PROJEKT NR. A92-52228	LOC A1	DIST -	REVISIONS			
REV.	CLAS.	DESCRIPTION	DATE	OWN	APVD			
C4		PNs added in table	06JUL2011	MM	SKR			
C5		Tolerances to dimension 27.5 and 27.7 added.	30MAR2012	Kirs.	Krauss			
C6		View updated: New variant 1-967629-0 added	18JUN2012	Mahnke	Krauss			
C7		Location code changed	30JUL2013	Ho.	Krauss			



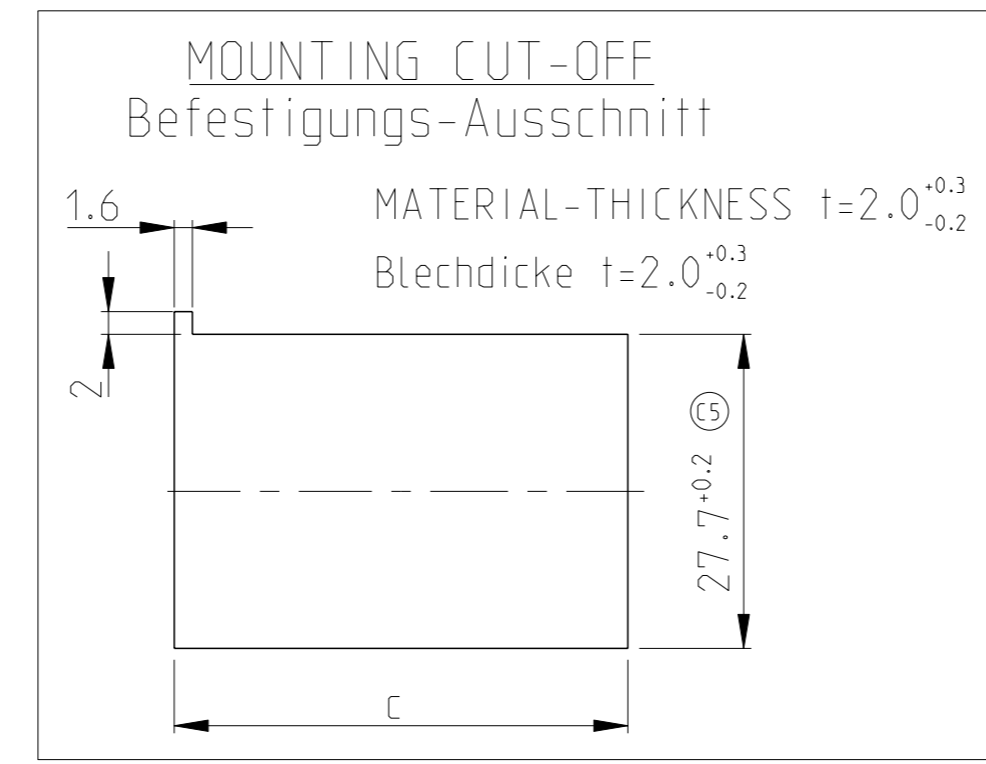
CODING A (GROOVES B-C) AS SHOWN
Kodierung A (Nuten B-C) wie gezeichnet



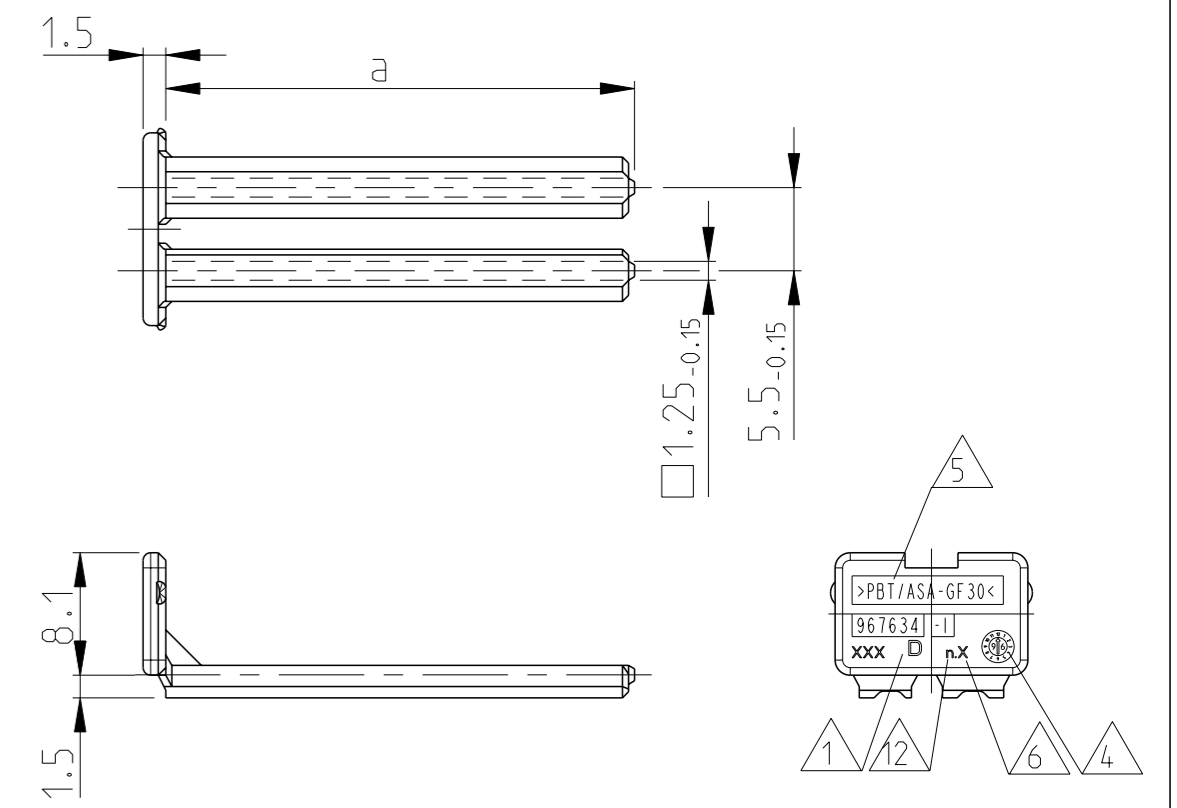
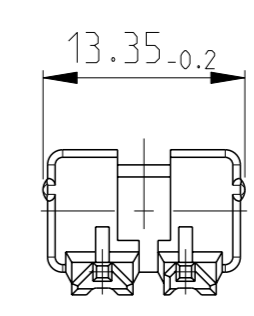
3D-MODEL (18POS) 1:1

POSITIONS Polzahl	a _{±0.5}	WEIGHT Gewicht	n	b _{±0.2}	c ^{+0.4}	d _{-0.3}	WEIGHT Gewicht
36	21	0.7g	6	30	42.8	42.5	10.7g
31	18	0.65g	5	25	37.8	37.5	9.4g
26	15	0.55g	4	20	32.8	32.5	8.3g
21	12	0.5g	3	15	27.8	27.5	6.9g
16	9	0.4g	2	10	22.8	22.5	5.8g
11	6	0.35g	1	5	17.8	17.5	4.5g

CODING A: CAVITY NUMBER. (CAVITIES ONLY SYMBOL.)
Kodierung A: Kammerbezeichnung. (Kammern nur symbol. dargestellt.)



2



967634-1 AS SHOWN wie gezeichnet

NOTES: Bemerkungen:

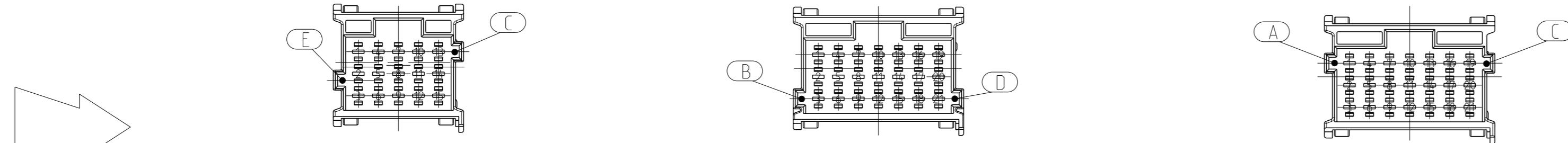
- 1 ACTIVE COMPANY LOGO AND SINGLE PART NUMBER
Aktuelles Firmen-Logo und Bestell-Nr. Einzelteil
- 2 PRODUCTION-DATE
Produktionsdatum
- 3 CAVITY-MARKING
Kammerbezeichnung
- 4 THE REVISION STATUS OF THE MOULD
Änderungsstand des Werkzeuges
- 5 MATERIAL-MARKING ACC. TO Werkstoffkennzeichnung nach VDA 260
- 6 MOLD CAVITY-MARKING
Nestmarkierung
- 7 WARPAGE TO ... PERMITTED
Verzug bis ... zulässig
- 8 a: DIMENSION RESP. WEIGHT SECONDARY LOCKING DEVICE
a: Mass bzw. Gewicht der zweiten Kontaktsicherung
- 9 PACKAGING: LOOSE PIECE IN CORRUGATED BOX FOR BOTH PARTS (CONDITIONED HOUSING IN PLASTIC BAG)
Verpackung: Beide Teile werden lose im Karton geliefert (konditionierte Gehäuse in Kunststoff-Beutel)
- 10 CAVITIES MATING WITH TAB.2.8mm (WITHOUT SINGLE WIRE SEAL)
MAX. WIRE SIZE 2.5mm² FLR - SEE DRAWING: Kontaktkammern passend fuer Flachstecker.2.8mm (ohne Einzel-Dichtungs-System)
max. Drahtgrößenbereich 2.5mm² FLR - siehe Zeichnung: TE-No.: 1355052
- 11 MALFUNCTION CAUSED BY LACQUER IS NOT COVERED BY TE WARRANTY
Funktionsbeeinträchtigung durch Lackieren liegt nicht im Einfluss und Gewährleistungsumfang von TE
- 12 TOOL-NUMBERING
Werkzeugnummerierung

CODING / Kodierung D		CODING / Kodierung C		CODING / Kodierung B		CODING / Kodierung A																		MECHANICAL CODING: mechanische Kodierung:													
RIBS / Nuten: C-E		RIBS / Nuten: B-D		RIBS / Nuten: A-C		RIBS / Nuten: B-C																															
967635-1	D 2	21 POS. pol.	CLAY BROWN Lehm-braun	4-967630-1	E	3-967630-1	E	2-967630-1	E	-	-	-	-	1-967630-6	E	GENTIAN BLUE enzian-blau	1-967630-5	E	RAPE YELLOW raps-gelb	1-967630-4	E	YELLOW GREEN gelb-gruen	1-967630-3	E	TRAFFIC PURPLE verkehrs-purpur	1-967630-2	E	SLATE GREY schiefer-grau	1-967630-1	E	CLAY BROWN Lehm-braun	-	-	-	-	1	21 POS. polig
967634-1	D 2	18 POS. pol.	SLATE GREY schiefer-grau	4-967629-1	E	3-967629-1	E	2-967629-1	E	-	-	-	-	1-967629-6	E	CLAY BROWN Lehm-braun	1-967629-5	E	GENTIAN BLUE enzian-blau	1-967629-4	E	RAPE YELLOW raps-gelb	1-967629-3	E	YELLOW GREEN gelb-gruen	1-967629-2	E	TRAFFIC PURPLE verkehrs-purpur	1-967629-1	E	SLATE GREY schiefer-grau	1-967629-0	E	GRAPHITE BLACK graphit-schwarz	1	18 POS. polig	
967633-1	D 2	15 POS. pol.	TRAFFIC PURPLE verkehrs-purpur	4-967628-1	E	3-967628-1	E	2-967628-1	E	-	-	-	-	1-967628-6	E	SLATE GREY schiefer-grau	1-967628-5	E	CLAY BROWN Lehm-braun	1-967628-4	E	GENTIAN BLUE enzian-blau	1-967628-3	E	RAPE YELLOW raps-gelb	1-967628-2	E	YELLOW GREEN gelb-gruen	1-967628-1	E	TRAFFIC PURPLE verkehrs-purpur	-	-	-	-	1	15 POS. polig
967632-1	D 2	12 POS. pol.	YELLOW GREEN gelb-gruen	4-967627-1	D	3-967627-1	D	2-967627-1	D	-	-	-	-	1-967627-6	D	TRAFFIC PURPLE verkehrs-purpur	1-967627-5	D	SLATE GREY schiefer-grau	1-967627-4	D	CLAY BROWN Lehm-braun	1-967627-3	D	GENTIAN BLUE enzian-blau	1-967627-2	D	RAPE YELLOW raps-gelb	1-967627-1	D	YELLOW GREEN gelb-gruen	-	-	-	-	1	12 POS. polig
967631-1	D 2	9 POS. pol.	RAPE YELLOW raps-gelb	4-967626-1	D	3-967626-1	D	2-967626-1	D	-	-	-	-	1-967626-6	D	YELLOW GREEN gelb-gruen	1-967626-5	D	TRAFFIC PURPLE verkehrs-purpur	1-967626-4	D	SLATE GREY schiefer-grau	1-967626-3	D	CLAY BROWN Lehm-braun	1-967626-2	D	GENTIAN BLUE enzian-blau	1-967626-1	D	RAPE YELLOW raps-gelb	-	-	-	-	1	9 POS. polig
968271-1	D 2	6 POS. pol.	GENTIAN BLUE enzian-blau	4-965641-1	D	3-965641-1	D	2-965641-1	D	1-965641-7	D	FLAME RED feuerrot	1-965641-6	D	RAPE YELLOW raps-gelb	1-965641-5	D	YELLOW GREEN gelb-gruen	1-965641-4	D	TRAFFIC PURPLE verkehrs-purpur	1-965641-3	D	SLATE GREY schiefer-grau	1-965641-2	D	CLAY BROWN Lehm-braun	1-965641-1	D	GENTIAN BLUE enzian-blau	-	-	-	-	1	6 POS. polig	
CUSTOMER PART NUMBER Kunden-Einzel-Teil-Nummer	TE ORDER-NO. TE Bestell-Nr.	REV.	POS.	DESCRIPTION Benennung Einzelteil	MATERIAL STIFT	COLOR Farbe	CUSTOMER PART NUMBER Kunden-Einzel-Teil-Nummer	TE ORDER-NO. TE Bestell-Nr.	REV.	COLOR Farbe	CUSTOMER PART NUMBER Kunden-Einzel-Teil-Nummer	TE ORDER-NO. TE Bestell-Nr.	REV.	COLOR Farbe	CUSTOMER PART NUMBER Kunden-Einzel-Teil-Nummer	TE ORDER-NO. TE Bestell-Nr.	REV.	COLOR Farbe	CUSTOMER PART NUMBER Kunden-Einzel-Teil-Nummer	TE ORDER-NO. TE Bestell-Nr.	REV.	COLOR Farbe	CUSTOMER PART NUMBER Kunden-Einzel-Teil-Nummer	TE ORDER-NO. TE Bestell-Nr.	REV.	COLOR Farbe	CUSTOMER PART NUMBER Kunden-Einzel-Teil-Nummer	TE ORDER-NO. TE Bestell-Nr.	REV.	COLOR Farbe	CUSTOMER PART NUMBER Kunden-Einzel-Teil-Nummer	TE ORDER-NO. TE Bestell-Nr.	REV.	COLOR Farbe	POS.	DESCRIPTION Benennung Einzelteil	MATERIAL Werkstoff

SECONDARY LOCKING DEVICE zweite Kontaktsicherung

TAB HOUSING / Flachstecker-Gehaeuse

FURTHER MECHANICAL CODINGS: weitere mechanische Kodierungen:

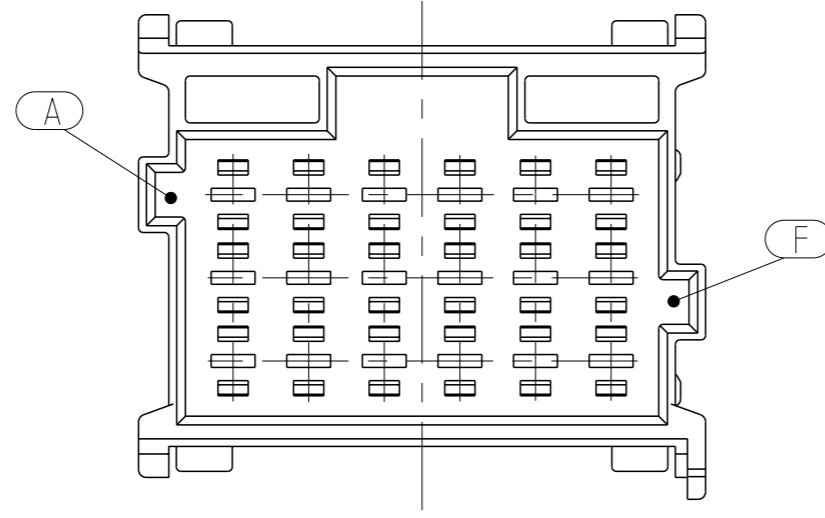


SCALE 1:1
CODING D (GROOVES C-E) (Nuten C-E) 4-967628-1 SHOWN AS EXAMPLE als Beispiel gezeigt
CODING C (GROOVES B-D) (Nuten B-D) 3-967630-1 SHOWN AS EXAMPLE als Beispiel gezeigt
CODING B (GROOVES A-C) (Nuten A-C) 2-967630-1 SHOWN AS EXAMPLE als Beispiel gezeigt

THIS DRAWING IS A CONTROLLED DOCUMENT.		OWN K.Gerlach 15APR98	TE Connectivity	
DIMENSIONS: mm		CHK R.Huebner 15APR98	APVD J.Hase 15APR98	
TOLERANCES UNLESS OTHERWISE SPECIFIED: # 100 BOS # 1000-10		NAME PRODUCT GROUP DRAWING: TAB HOUSING (2.8mm). 6-21POS. AND SECONDARY LOCKING DEVICE. Produkt-Gruppen-Zeichnung fuer: Flachstecker Gehaeuse (2.8mm), 6-21pol. und zweite Kontaktsicherung		
MATERIAL SEE TABLE		SIZE CAGE CODE DRAWING NO RESTRICTED TO		
WEIGHT SEE TABLE		A1 00779 ©=1355072		
Customer Drawing		SCALE 2:1 SHEET 1 of 2 REV 7		

MATED WITH / ERSETZT ZU: SEE 1355071 and 1355073	PROJEKT NR. A92-52228	LOC A1	DIST -	REVISIONS			
				REV.	DATE	OWN	APVD
				rev_sym_5	rev_desc_5	rev_date_5	rev_dwn_6

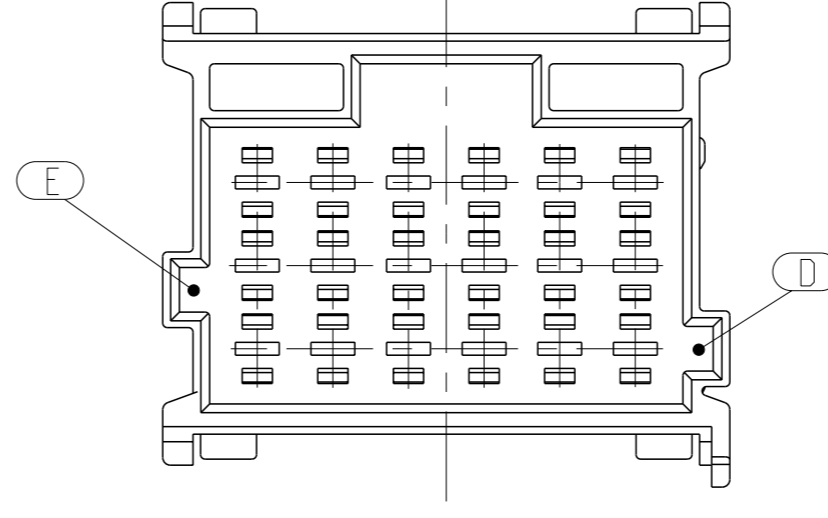
ADDITIONAL CODINGS / Zusätzliche Kodierungen



CODING / Kodierung F			MECHANICAL CODING: mechanische Kodierung:	
RIBS / Nuten: A-F				
	6-967630-1	E	21	POS. pol.
	6-967629-1	E	18	POS. pol.
			15	POS. pol.
	6-967627-1	D	12	POS. pol.
			9	POS. pol.
	6-965641-1	D	6	POS. pol.
CUSTOMER PART NUMBER Kunden-Einzelteil-Nummer	TE ORDER-NO. TE Bestell-Nr.	REV.	DESCRIPTION Benennung Einzelteil	
			MATERIAL SPEC.	

ORANGE / orange

PA66-GF13



CODING / Kodierung E			MECHANICAL CODING: mechanische Kodierung:	
RIBS / Nuten: E-D				
	5-967630-1	E	21	POS. pol.
	5-967629-1	E	18	POS. pol.
			15	POS. pol.
	5-967627-1	D	12	POS. pol.
			9	POS. pol.
	5-965641-1	D	6	POS. pol.
CUSTOMER PART NUMBER Kunden-Einzelteil-Nummer	TE ORDER-NO. TE Bestell-Nr.	REV.	DESCRIPTION Benennung Einzelteil	
			MATERIAL SPEC.	

EMERALD GREEN / smaragdgruen

PA66-GF13

THIS DRAWING IS A CONTROLLED DOCUMENT.

DIMENSIONS: mm	TOLERANCES UNLESS OTHERWISE SPECIFIED: mm	OWN: K. Gerlach 15APR98	 TE Connectivity										
	<table border="1"> <tr><td>0 PLC</td><td>±</td></tr> <tr><td>1 PLC</td><td>±</td></tr> <tr><td>2 PLC</td><td>±</td></tr> <tr><td>3 PLC</td><td>±</td></tr> <tr><td>4 PLC</td><td>±</td></tr> </table>	0 PLC		±	1 PLC	±	2 PLC	±	3 PLC	±	4 PLC	±	CHK: R. Huebner 15APR98
0 PLC	±												
1 PLC	±												
2 PLC	±												
3 PLC	±												
4 PLC	±												
MATERIAL: SEE TABLE	FINISH: SEE TABLE	APVD: J. Haase 15APR98											

NAME: PRODUCT GROUP DRAWING: TAB HOUSING (2.8mm), 6-21POS. AND SECONDARY LOCKING DEVICE
 Produkt-Gruppen-Zeichnung fuer: Flachstecker Gehaeuse (2.8mm), 6-21pol. und zweite Kontaktsicherung

SIZE: A1 00779 C=1355072

Customer Drawing SCALE: 2:1 SHEET: 2 OF 2 REV: 7