



Chipsmall Limited consists of a professional team with an average of over 10 year of expertise in the distribution of electronic components. Based in Hongkong, we have already established firm and mutual-benefit business relationships with customers from,Europe,America and south Asia,supplying obsolete and hard-to-find components to meet their specific needs.

With the principle of “Quality Parts,Customers Priority,Honest Operation,and Considerate Service”,our business mainly focus on the distribution of electronic components. Line cards we deal with include Microchip,ALPS,ROHM,Xilinx,Pulse,ON,Everlight and Freescale. Main products comprise IC,Modules,Potentiometer,IC Socket,Relay,Connector.Our parts cover such applications as commercial,industrial, and automotives areas.

We are looking forward to setting up business relationship with you and hope to provide you with the best service and solution. Let us make a better world for our industry!



Contact us

Tel: +86-755-8981 8866 Fax: +86-755-8427 6832

Email & Skype: info@chipsmall.com Web: www.chipsmall.com

Address: A1208, Overseas Decoration Building, #122 Zhenhua RD., Futian, Shenzhen, China



Ratings

Voltage: 300 V
 Temperature: 80 °C

Conductors

Number: 2
 Size: 28 AWG, 0.089 mm²
 Material: bare copper strands
 Strand size: Ø 0.127 mm
 Strand count: 7
 Resistance at 20 °C: 240 ohm/km maximum

Insulator

Material: PVC, 80 °C
 Color: red, white
 Outer diameter: 0.85 ± 0.10 mm

Shield

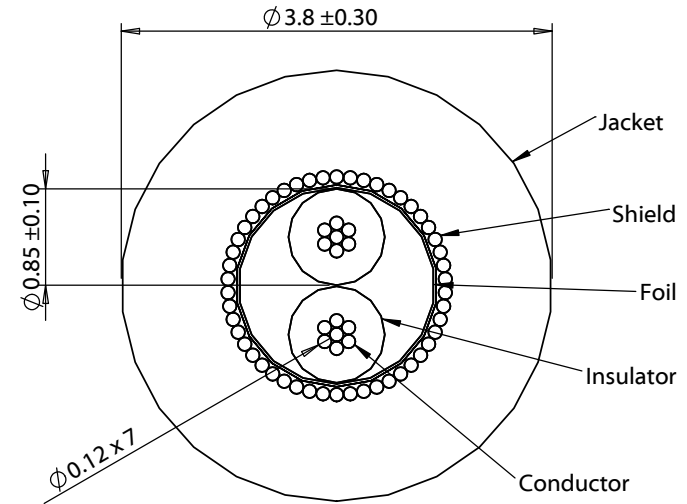
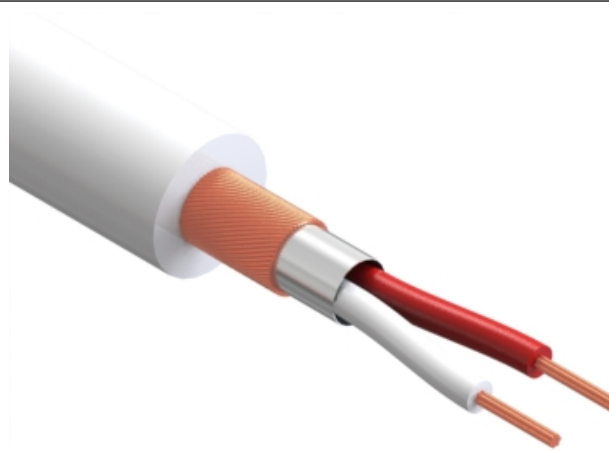
Type: spiral and foil
 Material: bare copper and aluminum mylar
 Strand size: Ø 0.127 mm
 Coverage: 100%

Outer jacket

Material: PVC, 80 °C
 Color: white
 Diameter: 3.8 ± 0.30 mm

Tests

Dielectric strength (Kv/min): 2.0
 Flammability: VW-1



REVISION	DATE	DESCRIPTION
A	3/28/12	Initial release
A1	3/20/2014	updated shielding and resistance rating
A2	10/15/2015	updated spec format and tolerances

PREPARED:

GL 2015.11.04
10:13:10 -08'00'

NOTES

RoHS and REACH compliant

Function test: no open, no short circuit, no intermittent

VERIFIED:

AG 2015.11.05
17:06:16 -08'00'

DIMENSIONS ARE IN MILLIMETERS

TOLERANCES:
 X: ± 0.5 mm
 X.X: ± 0.3 mm
 X.XX: ± 0.05 mm

DESCRIPTION:

Wire, 2C BC, 28 AWG, 300V, 80C, 3.8 mm, foil + shield, PVC, white

TENSILITY

20802 Sockeye Place #130
 Bend, OR 97701 USA
 tel 541.323.3228 fax 541.323.4202
 800 877.670.7118 www.tensility.com

SIZE

A

PART NUMBER

30-00178

SCALE: 5:1

WEIGHT:

SHEET 1 OF 1