



Chipsmall Limited consists of a professional team with an average of over 10 year of expertise in the distribution of electronic components. Based in Hongkong, we have already established firm and mutual-benefit business relationships with customers from,Europe,America and south Asia,supplying obsolete and hard-to-find components to meet their specific needs.

With the principle of “Quality Parts,Customers Priority,Honest Operation,and Considerate Service”,our business mainly focus on the distribution of electronic components. Line cards we deal with include Microchip,ALPS,ROHM,Xilinx,Pulse,ON,Everlight and Freescale. Main products comprise IC,Modules,Potentiometer,IC Socket,Relay,Connector.Our parts cover such applications as commercial,industrial, and automotives areas.

We are looking forward to setting up business relationship with you and hope to provide you with the best service and solution. Let us make a better world for our industry!



Contact us

Tel: +86-755-8981 8866 Fax: +86-755-8427 6832

Email & Skype: info@chipsmall.com Web: www.chipsmall.com

Address: A1208, Overseas Decoration Building, #122 Zhenhua RD., Futian, Shenzhen, China



Ratings

Temperature: 0 ~ 70 °C
Voltage: 150 V

Conductor

Gauge: 26 AWG, 0.13 mm²
Material: tinned copper strands
Stranding: $\phi 0.08 \times 26$
Resistance at 20 °C: 150 Ω /km max

Insulator

Material: HDPE
Color: black, white, yellow, red
Outer diameter: $\phi 0.9 \pm 0.10$ mm
Nominal thickness: 0.20 mm
Resistance at 20 °C: 1000 M Ω /km min

Shield

Type: spiral
Material: tinned copper strands
Strand size: $\phi 0.08$
Coverage: 90 % minimum

Outer jacket

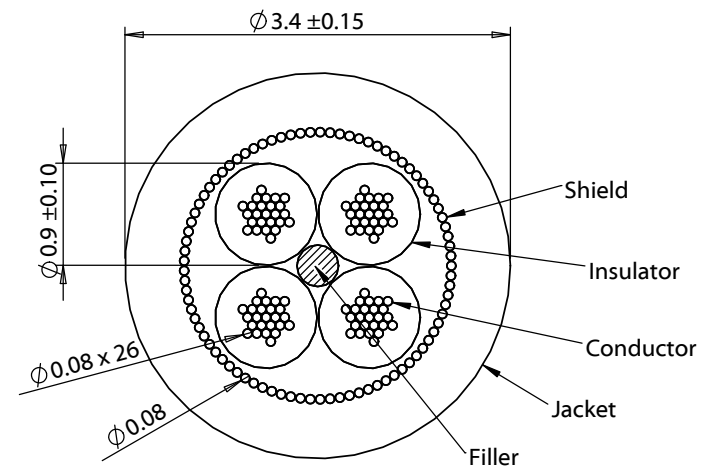
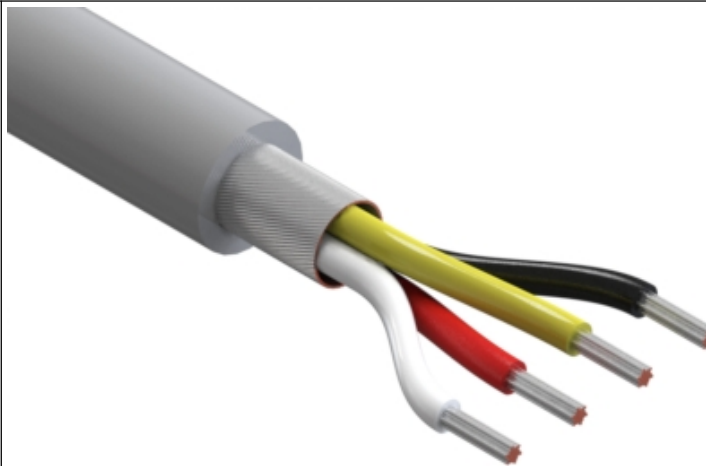
Material: TPU, 70 °C
Color: cool gray 9C
Nominal thickness: 0.50 mm
Diameter: $\phi 3.4 \pm 0.15$ mm

Filler

Material: kevlar

Tests

Tensile strength: 35.7 kgf
Dielectric test: 1500 V dc for 1 minute without breakdown
Bend test at 200 g, $\pm 90^\circ$, 30 cycles /min: 15,000 cycle minimum



REVISION	DATE	DESCRIPTION
A	9/28/2015	Initial release
A1	1/13/2016	Updated notes, corrected tolerances

PREPARED:
AG 2016.01.13 10:10:15 -08'00'

VERIFIED:
LA Digitally signed by LA DN: cn=LA, o=Tensility, ou=Engineering, email=LA@Tensility.com, c=US Date: 2016.01.13 14:55:24 -08'00'

DIMENSIONS ARE IN MILLIMETERS

TOLERANCES:
X: ± 0.5 mm
X.X: ± 0.3 mm
X.XX: ± 0.05 mm

NOTES
RoHS and REACH compliant
Jacket meets ISO 10993 for biological compatibility
Phthalate and halogen free
Function test: no open, no short, no intermittent

DESCRIPTION:
Wire, 4C TS, 26 AWG, 150V, 70C, 3.4 mm, spiral shield, TPU, gray

TENSILITY

20802 Sockeye Place #130
Bend, OR 97701 USA
tel 541.323.3228 fax 541.323.4202
800 877.670.7118 www.tensility.com

SIZE	PART NUMBER
A	30-00449

SCALE: 1:1 SHEET 1 OF 1