



Chipsmall Limited consists of a professional team with an average of over 10 year of expertise in the distribution of electronic components. Based in Hongkong, we have already established firm and mutual-benefit business relationships with customers from,Europe,America and south Asia,supplying obsolete and hard-to-find components to meet their specific needs.

With the principle of “Quality Parts,Customers Priority,Honest Operation,and Considerate Service”,our business mainly focus on the distribution of electronic components. Line cards we deal with include Microchip,ALPS,ROHM,Xilinx,Pulse,ON,Everlight and Freescale. Main products comprise IC,Modules,Potentiometer,IC Socket,Relay,Connector.Our parts cover such applications as commercial,industrial, and automotives areas.

We are looking forward to setting up business relationship with you and hope to provide you with the best service and solution. Let us make a better world for our industry!



Contact us

Tel: +86-755-8981 8866 Fax: +86-755-8427 6832

Email & Skype: info@chipsmall.com Web: www.chipsmall.com

Address: A1208, Overseas Decoration Building, #122 Zhenhua RD., Futian, Shenzhen, China



Ratings

Voltage: 300 V
 Operating temperature: -20° to 80 °C

Conductor

Gauge: 20 AWG, 0.52 mm²
 Material: tinned copper strands
 Strand size: Ø 0.178 mm
 Strand count: 21
 Max resistance at 20 °C: 36.7 Ω/km

Insulator

Material: PVC
 Color: white
 Outer diameter: 1.8 ±0.10 mm
 Min resistance at 20 °C: 10 MΩ/km

Shield

Type: spiral
 Material: tinned copper strands
 Strand size: Ø 0.12 mm
 Strand count: 45 ±2

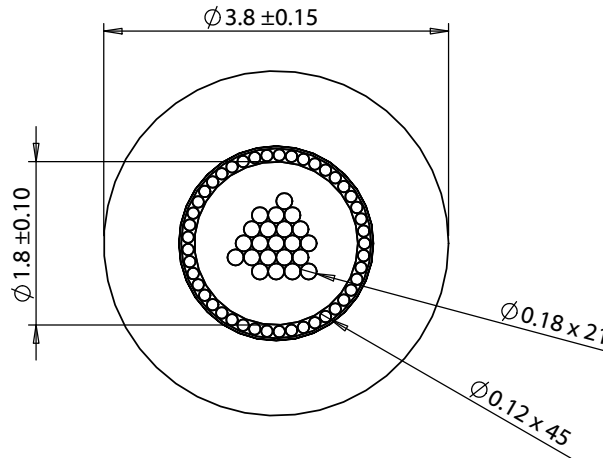
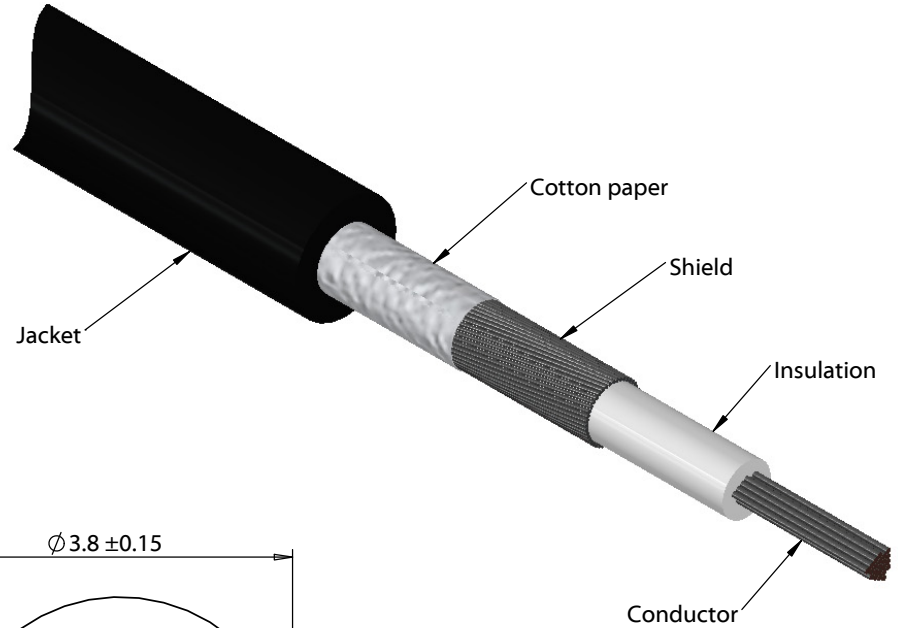
Outer jacket

Material: TPU, 80 °C
 Type: extruded, non-integral
 Color: black
 Diameter: 3.8 ±0.15 mm

Wire marking: E339579  AWM STYLE 10846 80°C
 300V VW-1 --- C  AWM I/II A 80°C 300V FT1 TENSILITY

Tests

Voltage test: 300 V
 Spark test: 3.0 kV
 Tensile strength: 1.05 kgf/mm²
 After aging at 113 ±2 °C for 7 days:
 Minimum tensile strength 70 % original
 Minimum elongation 65 % original
 Heat shock: 121 ±1 °C /1 hour, no observed degradation
 Deformation: 121 ±1 °C /1 hour, ≤ 50 %
 Cold bend: -10 ±1 °C /1 hour, no observed cracking
 Flammability: FT1, VW-1
 Dielectric test: 1500 V ac for 1 minute without breakdown



REVISION	DATE	DESCRIPTION
A	9/2/2015	Initial release
A1	9/14/2015	Upgraded fire rating to VW-1/ FT1
A2	3/10/2016	Updated operating temperature range

PREPARED:
 2016.03.11
 10:19:31
 -08'00'
GL

VERIFIED:
 Digitally signed by PS
 DN: cn=PS, o=, email=QA004@tensility.com, c=US
 0445
 Date: 2016.03.11 11:30:17 -08'00'
PS

DIMENSIONS ARE IN MILLIMETERS

TOLERANCES:
 X: ± 0.5 mm
 X.X: ± 0.3 mm
 X.XX: ± 0.05 mm

NOTES
 RoHS and REACH compliant

Function test: no open, no short circuit, no intermittent

Drawing in third angle projected

DESCRIPTION:
 Wire, 1C TS, 20 AWG, UL10846, 300V, 80C, 3.8 mm, shielded, VW-1, TPU

TENSILITY

20802 Sockeye Place #130
 Bend, OR 97701 USA
 tel 541.323.3228 fax 541.323.4202
 800 877.670.7118 www.tensility.com

SIZE A	PART NUMBER 30-00561
SCALE: 12:1	SHEET 1 OF 1