



Chipsmall Limited consists of a professional team with an average of over 10 year of expertise in the distribution of electronic components. Based in Hongkong, we have already established firm and mutual-benefit business relationships with customers from,Europe,America and south Asia,supplying obsolete and hard-to-find components to meet their specific needs.

With the principle of "Quality Parts,Customers Priority,Honest Operation,and Considerate Service",our business mainly focus on the distribution of electronic components. Line cards we deal with include Microchip,ALPS,ROHM,Xilinx,Pulse,ON,Everlight and Freescale. Main products comprise IC,Modules,Potentiometer,IC Socket,Relay,Connector.Our parts cover such applications as commercial,industrial, and automotives areas.

We are looking forward to setting up business relationship with you and hope to provide you with the best service and solution. Let us make a better world for our industry!



Contact us

Tel: +86-755-8981 8866 Fax: +86-755-8427 6832

Email & Skype: info@chipsmall.com Web: www.chipsmall.com

Address: A1208, Overseas Decoration Building, #122 Zhenhua RD., Futian, Shenzhen, China



Ratings

Voltage: 300 V
Operating temperature: -20° to 80 °C

Conductor

Gauge: 28 AWG, 0.089 mm²
Material: tinned copper strands
Strand size: Ø 0.127 mm
Strand count: 7
Max resistance at 20 °C: 239 Ω/km

Insulator

Material: PVC
Color: white
Outer diameter: 1.2 ±0.10 mm
Min resistance at 20 °C: 10 MΩ/km

Shield

Type: spiral
Material: tinned copper strands
Strand size: Ø 0.10 mm
Strand count: 35 ±2

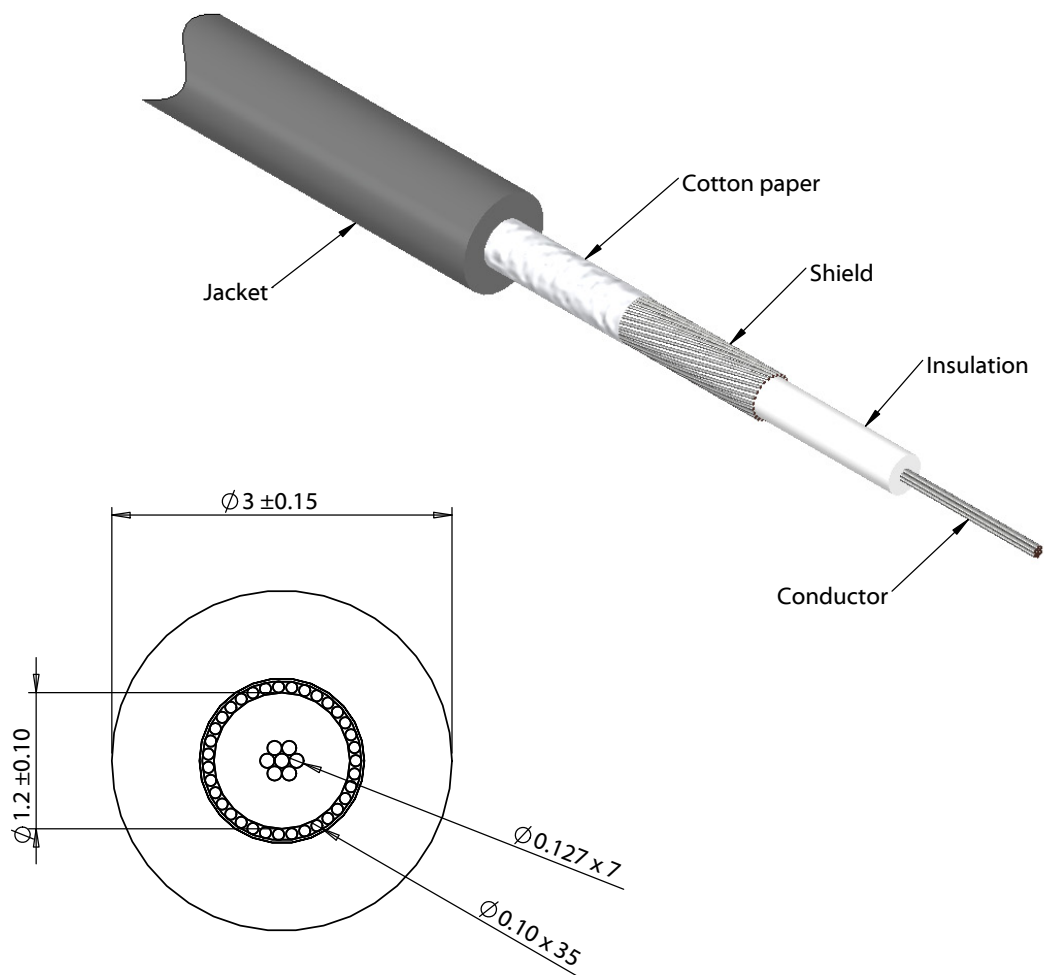
Outer jacket

Material: TPU, 80 °C
Type: extruded, non-integral
Color: gray
Diameter: 3.0 ±0.15 mm

Wire marking: E339579 AWM STYLE 10846 80°C
300V VW-1 --- C AWM I/II A 80°C 300V FT1 TENSILITY

Tests

Voltage test: 300 V
Spark test: 3.0 kV
Tensile strength: 1.05 kgf/mm²
After aging at 113 ±2 °C for 7 days:
Minimum tensile strength 70 % original
Minimum elongation 65 % original
Heat shock: 121 ±1 °C /1 hour, no observed degradation
Deformation: 121 ±1 °C /1 hour, ≤ 50 %
Cold bend: -10 ±1 °C /1 hour, no observed cracking
Flammability: FT1, VW-1
Dielectric test: 1500 V ac for 1 minute without breakdown



REVISION	DATE	DESCRIPTION
A	9/3/2015	Initial release
A1	9/14/2015	Upgraded fire rating to VW-1/ FT1
A2	3/10/2016	Updated operating temperature range

PREPARED:

GL
2016.03.11
10:46:49
-08'00'

VERIFIED:

PS
Digitally signed by PS
DN: cn=PS, o=, email=QA004@tensility.com, c=US
Date: 2016.03.11 11:39:41 -08'00'

DIMENSIONS ARE IN
MILLIMETERS

TOLERANCES:

X: ± 0.5 mm
X.X: ± 0.3 mm
X.XX: ± 0.05 mm

NOTES

RoHS and REACH compliant

Function test: no open, no short circuit, no intermittent

Drawing in third angle projected

DESCRIPTION:

Wire, 1C TS, 28 AWG, UL10846, 300V, 80C, 3.0 mm, shielded, VW-1, TPU, gray

TENSILITY

20802 Sockeye Place #130
Bend, OR 97701 USA

tel 541.323.3228 fax 541.323.4202
800 877.670.7118 www.tensility.com

SIZE

A

PART NUMBER

30-00575

SCALE: 15:1

SHEET 1 OF 1