



Chipsmall Limited consists of a professional team with an average of over 10 year of expertise in the distribution of electronic components. Based in Hongkong, we have already established firm and mutual-benefit business relationships with customers from,Europe,America and south Asia,supplying obsolete and hard-to-find components to meet their specific needs.

With the principle of "Quality Parts,Customers Priority,Honest Operation,and Considerate Service",our business mainly focus on the distribution of electronic components. Line cards we deal with include Microchip,ALPS,ROHM,Xilinx,Pulse,ON,Everlight and Freescale. Main products comprise IC,Modules,Potentiometer,IC Socket,Relay,Connector.Our parts cover such applications as commercial,industrial, and automotives areas.

We are looking forward to setting up business relationship with you and hope to provide you with the best service and solution. Let us make a better world for our industry!



## Contact us

Tel: +86-755-8981 8866 Fax: +86-755-8427 6832

Email & Skype: info@chipsmall.com Web: www.chipsmall.com

Address: A1208, Overseas Decoration Building, #122 Zhenhua RD., Futian, Shenzhen, China



**Ratings**

Temperature: 0 ~ 70 °C  
Voltage: 150 V

**Conductor**

Gauge: 32 AWG, 0.039 mm<sup>2</sup>  
Material: tinned copper strands  
Stranding:  $\varnothing 0.05 \times 19$   
Resistance at 20 °C: 590  $\Omega$ /km

**Insulator**

Material: HDPE  
Color: black, white  
Outer diameter:  $\varnothing 0.55 \pm 0.05$  mm  
Nominal thickness: 0.15 mm  
Resistance at 20 °C: 1000 M $\Omega$ /km

**Shield**

Type: spiral  
Material: tinned copper strands  
Strand size:  $\varnothing 0.08$  mm  
Coverage: 90 % minimum

**Outer jacket**

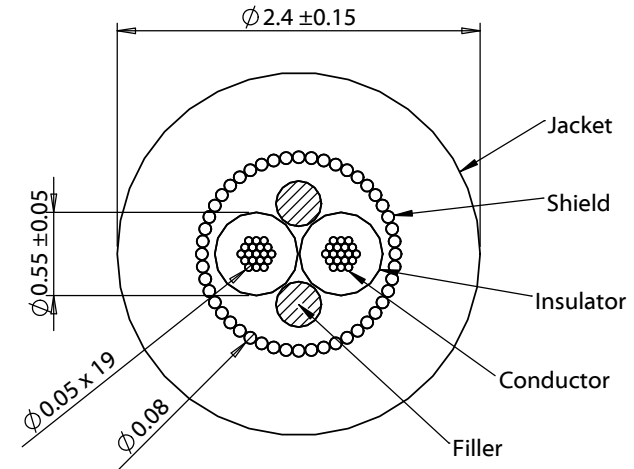
Material: TPU, 70 °C  
Color: black  
Nominal thickness: 0.50 mm  
Diameter:  $\varnothing 2.4 \pm 0.15$  mm

**Filler**

Material: kevlar

**Tests**

Tensile strength: 25.5 kgf  
Dielectric test: 1500 V dc for 1 minute without breakdown  
Bend test at 200 g,  $\pm 90^\circ$ , 30 cycles /min: 10,000 cycle minimum



REVISION	DATE	DESCRIPTION
A	9/29/2015	Initial release
A1	1/13/2016	Updated notes, corrected tolerances

PREPARED:  
**AG** 2016.01.14  
 08:41:01  
 -08'00'

VERIFIED:  
**LA** Digitally signed by LA  
 DN: cn=LA, o=tensility,  
 ou=Engineering,  
 email=04022@tensility.com, c=US,  
 Date: 2016.01.14 08:42:50 -08'00'

DIMENSIONS ARE IN  
 MILLIMETERS

TOLERANCES:  
 X:  $\pm 0.5$  mm  
 X.X:  $\pm 0.3$  mm  
 X.XX:  $\pm 0.05$  mm

NOTES  
 RoHS and REACH compliant  
 Jacket meets ISO 10993 Biological Compatibility  
 Phthalate and halogen free  
 Function test: no open, no short, no intermittent

DESCRIPTION:  
 Wire, 2C TS, 32 AWG, 150V, 70C, 2.4 mm, spiral shield, TPU

# TENSILITY

20802 Sockeye Place #130  
 Bend, OR 97701 USA  
 tel 541.323.3228 fax 541.323.4202  
 800 877.670.7118 www.tensility.com

SIZE	PART NUMBER
A	30-00650

SCALE: 1:1 SHEET 1 OF 1