



Chipsmall Limited consists of a professional team with an average of over 10 year of expertise in the distribution of electronic components. Based in Hongkong, we have already established firm and mutual-benefit business relationships with customers from,Europe,America and south Asia,supplying obsolete and hard-to-find components to meet their specific needs.

With the principle of “Quality Parts,Customers Priority,Honest Operation,and Considerate Service”,our business mainly focus on the distribution of electronic components. Line cards we deal with include Microchip,ALPS,ROHM,Xilinx,Pulse,ON,Everlight and Freescale. Main products comprise IC,Modules,Potentiometer,IC Socket,Relay,Connector.Our parts cover such applications as commercial,industrial, and automotives areas.

We are looking forward to setting up business relationship with you and hope to provide you with the best service and solution. Let us make a better world for our industry!



## Contact us

Tel: +86-755-8981 8866 Fax: +86-755-8427 6832

Email & Skype: info@chipsmall.com Web: www.chipsmall.com

Address: A1208, Overseas Decoration Building, #122 Zhenhua RD., Futian, Shenzhen, China

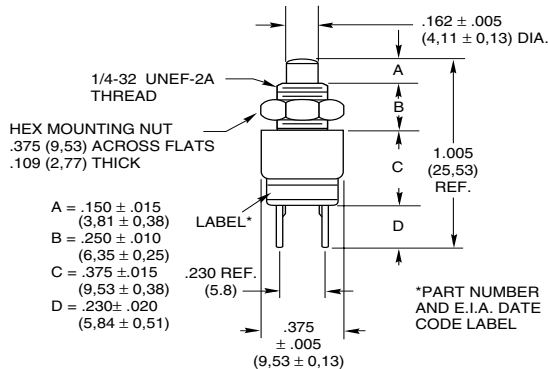




## DIMENSIONS in inches (and millimeters)

### Normally Closed-SPST and UL Recognized

30-2  
30-2UL  
30-6  
30-6UL



### Normally Closed-SPST

Rating at 115 Vac Resistive	Rating at 220 Vac Resistive	Operations at Rated Load	Part Number	Button Color
1 Amp	1/2 Amp	1,000,000	30-2 30-6	Black Red

Action	Total Travel	Actuating Force (oz.)	Mtg. Hole
Momentary	.065 + .010 / - .015 (1,65 + 0,25 / - 0,38)	8 ± 4	17/64" (6,75)

### UL Recognized

Rating at 120 Vac Resistive	Rating at 220 Vac Resistive	Operations at Rated Load	Part Number	Button Color
5 Amp	—	6,000	30-2UL 30-6UL	Black Red

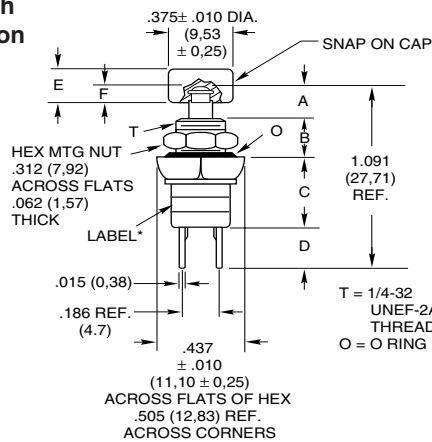
Action	Total Travel	Actuating Force (oz.)	Mtg. Hole
Momentary	.065 + .010 / - .015 (1,65 + 0,25 / - 0,38)	8 ± 4	17/64" (6,75)

### Normally Open-SPST With Sealed Bushing and Button

30-251\*

A = .209 ± .015  
(5,31 ± 0,38)  
B = .250 ± .010  
(6,35 ± 0,25)  
C = .410 ± .015  
(10,41 ± 0,38)  
D = .222 ± .020  
(5,64 ± 0,51)  
E = .187 ± .010  
(4,75 ± 0,25)  
F = .100 ± .010  
(2,54 ± 0,25)

\*PART NUMBER AND E.I.A. DATE CODE LABEL



Rating at 115 Vac Resistive	Rating at 220 Vac Resistive	Operations at Rated Load	*Complete Part Number	Button Color
1 Amp	1/2 Amp	250,000	30-251 RED 30-251 BLK	Red Black

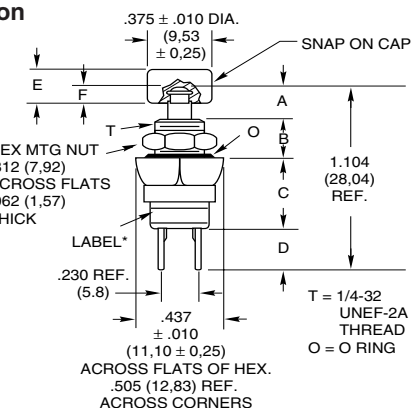
Action	Total Travel	Actuating Force (oz.)	Mtg. Hole
Momentary	.062 ± .020 (1,57 ± 0,51)	30 ± 8	17/64" (6,75)

### Normally Closed-SPST With Sealed Bushing and Button

30-252\*

A = .209 ± .015  
(5,31 ± 0,38)  
B = .250 ± .010  
(6,35 ± 0,25)  
C = .415 ± .015  
(10,54 ± 0,38)  
D = .230 ± .015  
(5,84 ± 0,38)  
E = .187 ± .010  
(4,75 ± 0,25)  
F = .100 ± .010  
(2,54 ± 0,25)

\*PART NUMBER AND E.I.A. DATE CODE LABEL



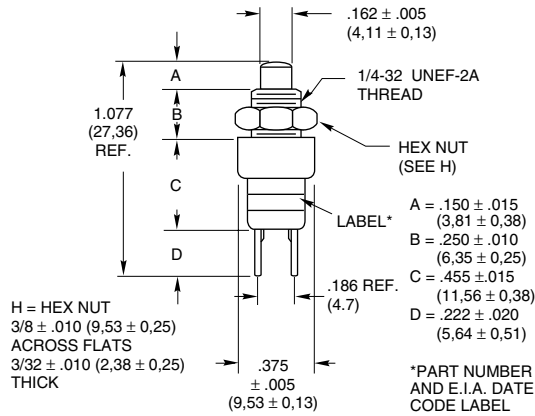
Rating at 115 Vac Resistive	Rating at 220 Vac Resistive	Operations at Rated Load	*Complete Part Number	Button Color
1 Amp	1/2 Amp	250,000	30-252 RED 30-252 BLK	Red Black

Action	Total Travel	Actuating Force (oz.)	Mtg. Hole
Momentary	.065 ± .010 (1,65 ± 0,25)	12 ± 4	17/64" (6,75)

**DIMENSIONS** in inches (and millimeters)

**Normally Open-SPST With Overtravel**

30-15  
30-37

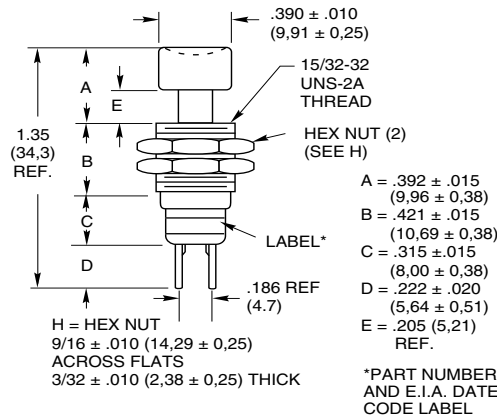


Rating at 115 Vac Resistive	Rating at 220 Vac Resistive	Operations at Rated Load	Part Number	Button Color
1 Amp	1/2 Amp	500,000	30-15 30-37	Red Black

Action	Total Travel	Actuating Force (oz.)	Mtg. Hole
Momentary .020" Overtravel	.125 + .020/ - .010 (3,18 + 0,51/ - 0,25)	8 ± 4	17/64" (6,75)

**Normally Open-SPST With Positive Feel**

30-17\*

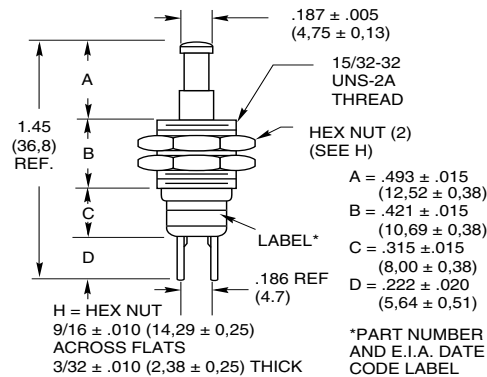


Rating at 115 Vac Resistive	Rating at 220 Vac Resistive	Operations at Rated Load	*Complete Part Number	Button Color
1 Amp	1/2 Amp	200,000	30-17 RED 30-17 BLK	Red Black

Action	Total Travel	Over Travel	Actuating Force (oz.)	Mtg. Hole
Momentary Pos. Feel	.156 ± .015 (3,96 ± 0,38)	.046 (1,17) Min.	18 ± 4	31/64" (12,30)

**Normally Open-SPST With Push-Pull**

30-16\*



Rating at 115 Vac Resistive	Rating at 220 Vac Resistive	Operations at Rated Load	*Complete Part Number	Button Color
1 Amp	1/2 Amp	100,000	30-16 RED 30-16 BLK	Red Black

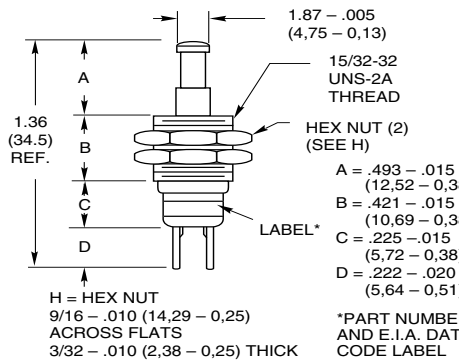
Action	Total Travel	Actuating Force (oz.)	Mtg. Hole
Push-to-Make	.145 ± .015 (3,68 ± 0,38)	56 ± 16	31/64" (12,30)

Pushbutton Switches

## DIMENSIONS in inches (and millimeters)

### Normally Closed-SPST With Push-Pull

30-32



Rating at 115 Vac Resistive	Rating at 220 Vac Resistive	Operations at Rated Load	Part Number	Button Color
1 Amp	1/2 Amp	100,000	30-32 RED 30-32 BLK	Red Black
Action	Total Travel	Actuating Force (oz.)	Mtg. Hole	
Pull-to-Make	.145 ± .015 (3,68 ± 0,38)	56 ± 16	31/64" (12,30)	

## SPECIFICATIONS

### Rating Criteria

For UL recognized switches, see individual switch chart. File number is E35289.

**Contact Resistance:** 25 milliohms maximum on a new switch

**Voltage Breakdown:** 1,000 Vac between mutually insulated parts

**Insulation Resistance:** 1,000 megohms minimum

**Operating Temperature:** -40° to +85°C

**Mounting Torque:** 2 inch-pounds

### Switch Materials and Finishes

**Mounting Nut and Cover Bushing:** Brass, tin zinc

**Base:** Thermoset plastic

**Button:** Polyester for 30-16 and 30-32; Phenolic for 30-17, 30-1UL, 30-2, 30-2UL, 30-3UL, 30-6 and 30-6UL; Polycarbonate for all others.

**Shorting Bar:** Brass with gold over nickel plating for 30-601; brass with fine silver contact surface for all others.

**Terminals:** Brass with gold over nickel plating for 30-601; commercial brass with fine silver contact surface and silver-plated for all others.

**Spring:** Tinned music wire

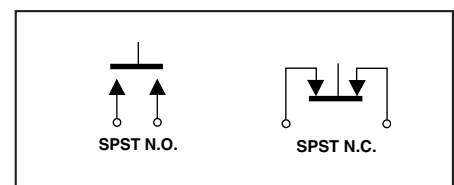
**Button Cap:** Nylon for 30-17; Polyethylene for 30-251 and 30-252.

**Detent Balls:** Carbon steel, nickel-plated

**Terminal Type:** Solder lug

**O-Ring Seal:** (30-251, 30-252) Nitrile per MIL-P-5516

## CIRCUITRY



## ACCESSORIES



### Decorative Mounting Nuts

Part Number 30C1023-1 is made for switches with 1/4" (6,35) inch diameter bushings. It may be used with the following Series 30 switches: 30-1, 30-1 UL, 30-2, 30-2 UL, 30-3, 30-6, 30-15, 30-37, 30-251 BLK, 30-251 RED, 30-252 BLK, 30-252 RED, 30-601 BLK and 30-601 RED.

Part Number 07C1040-1 is made for switches with 15/32" (11,91) inch diameter bushings. It may be used with the following Series 30 switches: 30-16 BLK, 30-16 RED, 30-17 BLK, 30-17 RED, 30-32 BLK and 30-32 RED.

### Button Cap and Guard

The button cap is available in 3 colors: part number 30B1012-5 is red; part number 30B1012-8 is white; and part number 30B1012-9 is black. It may be fastened to the button with adhesive. It may be used with the following Series 30 switches: 30-1, 30-1UL, 30-2, 30-2UL, 30-3, 30-3UL, 30-15, 30-37, 30-601 BLK, and 30-601 RED.

The button guard, part number 10C1015-1 is made to be used with 15/32" (11,91) inch diameter switches to prevent unintentional actuation. It may be used with the following Series 30 switches: 30-16 BLK, 30-16 RED, 30-17 BLK, 30-17 RED, 30-32 BLK, and 30-32 RED

## ORDERING INFORMATION

Part Number	Description and Button Color
30-1*	N.O., Standard, Red
30-2*	N.C., Standard, Black
30-3*	N.O., Black
30-6*	N.C., Red
30-15	N.O., Overtravel, Red
30-16 BLK	Push to Make, Black
30-16 RED	Push to Make, Red
30-17 BLK	N.O., Positive Feel, Black
30-17 RED	N.O., Positive Feel, Red
30-32 BLK	Pull to Make, Black
30-32 RED	Pull to Make, Red
30-37 BLK	N.O., Overtravel, Black
30-251 BLK	N.O., Sealed, Black
30-251 RED	N.O., Sealed, Red
30-252 BLK	N.C., Sealed, Black
30-252 RED	N.C., Sealed, Red
30-601 BLK	N.O., Economy, Black
30-601 RED	N.O., Economy, Red

Accessory Part Number	Description
30B1012-5	Accessory Cap, Red
30B1012-8	Accessory Cap, White
30B1012-9	Accessory Cap, Black
30C1023-1	Accessory Nut
07C1040-1	Accessory Nut
10C1015-1	Button Guard

\*Add "UL" suffix to part number for UL recognized switches.