



Chipsmall Limited consists of a professional team with an average of over 10 year of expertise in the distribution of electronic components. Based in Hongkong, we have already established firm and mutual-benefit business relationships with customers from,Europe,America and south Asia,supplying obsolete and hard-to-find components to meet their specific needs.

With the principle of “Quality Parts,Customers Priority,Honest Operation,and Considerate Service”,our business mainly focus on the distribution of electronic components. Line cards we deal with include Microchip,ALPS,ROHM,Xilinx,Pulse,ON,Everlight and Freescale. Main products comprise IC,Modules,Potentiometer,IC Socket,Relay,Connector.Our parts cover such applications as commercial,industrial, and automotives areas.

We are looking forward to setting up business relationship with you and hope to provide you with the best service and solution. Let us make a better world for our industry!



Contact us

Tel: +86-755-8981 8866 Fax: +86-755-8427 6832

Email & Skype: info@chipsmall.com Web: www.chipsmall.com

Address: A1208, Overseas Decoration Building, #122 Zhenhua RD., Futian, Shenzhen, China



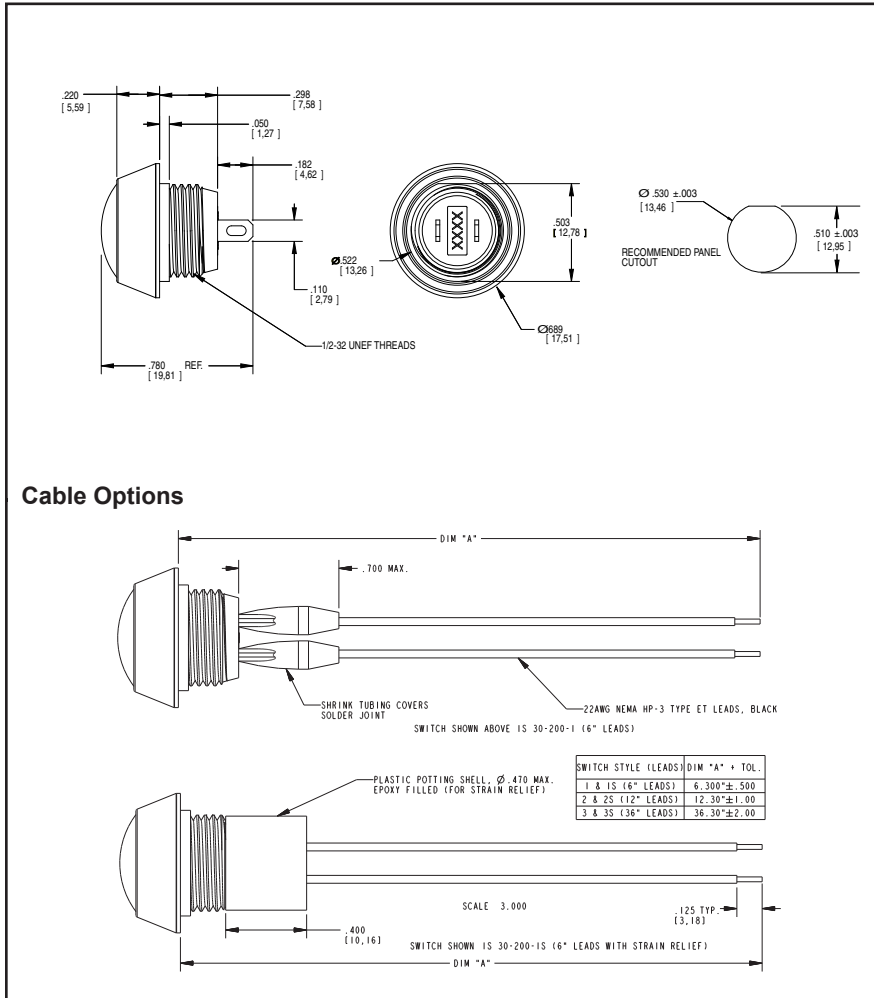
SERIES 30 Sealed, Front Panel Mounting

FEATURES

- Threaded bushing
- Choice of 6 button colors
- SPST (momentary contact)
- Gold plated contacts
- Strong, lightweight aluminum housing
- Sealed against dust and moisture to IP67 (to IP67 with silicone boot*)



DIMENSIONS in inches (and millimeters)



RATING

- Cycles:** 500,000 actuations
- Operating Temperature:** -40°C to +80°C
- Shock:** 100 G's/6 milliseconds
- Travel:** .090 nominal
- Travel Before Make:** .035 nominal
- Rating at 24 VDC:** 150 milliamps
- Voltage Breakdown:** 1000 Vac
- Contact Resistance:** 25 Megaohms max (initial)
- Insulation Resistance:** 1,000 Megaohms minimum

MATERIAL

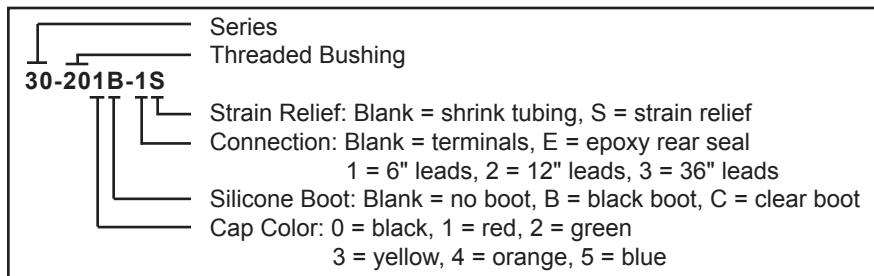
- Housing:** Aluminum, black chrome finish
- Button, Base, and Plunger:** Nylon, 45% glass-filled
- Terminal:** Brass, gold-plated over nickel
- Shorting Bar:** Brass, gold-plated over nickel
- Internal Seal:** Silicone rubber
- O-ring panel Seal:** Silicone
- Spring:** Tinned music wire
- Hex Nut:** 1/2-32, Brass with Nickel Plating, P/N 635201
- Lockwasher:** Internal, 1/2 dia. , Steel with Zinc plating, P/N 635401

* Switch meets IP67 without boot if not actuated during immersion

CIRCUITRY: SPST N.O.



ORDERING INFORMATION



Silicone Boot Part Numbers

- Black: 30M4070-1
- Clear: 30M4070-2

