



Chipsmall Limited consists of a professional team with an average of over 10 year of expertise in the distribution of electronic components. Based in Hongkong, we have already established firm and mutual-benefit business relationships with customers from,Europe,America and south Asia,supplying obsolete and hard-to-find components to meet their specific needs.

With the principle of “Quality Parts,Customers Priority,Honest Operation,and Considerate Service”,our business mainly focus on the distribution of electronic components. Line cards we deal with include Microchip,ALPS,ROHM,Xilinx,Pulse,ON,Everlight and Freescale. Main products comprise IC,Modules,Potentiometer,IC Socket,Relay,Connector.Our parts cover such applications as commercial,industrial, and automotives areas.

We are looking forward to setting up business relationship with you and hope to provide you with the best service and solution. Let us make a better world for our industry!



## Contact us

Tel: +86-755-8981 8866 Fax: +86-755-8427 6832

Email & Skype: info@chipsmall.com Web: www.chipsmall.com

Address: A1208, Overseas Decoration Building, #122 Zhenhua RD., Futian, Shenzhen, China



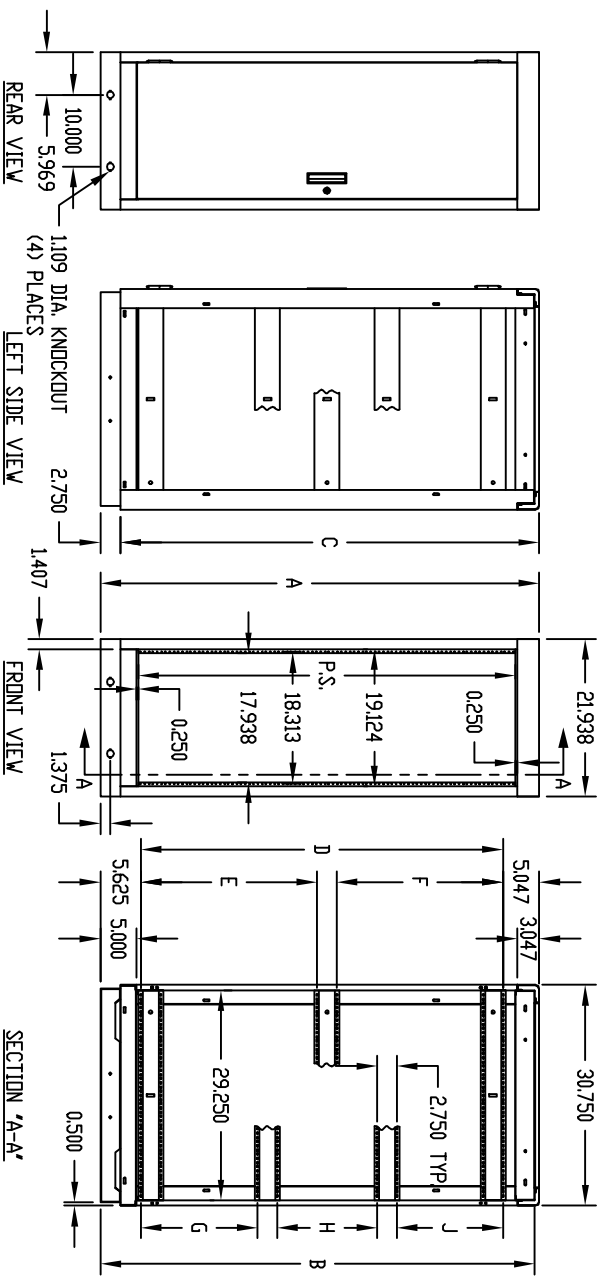
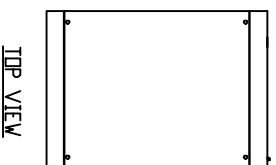
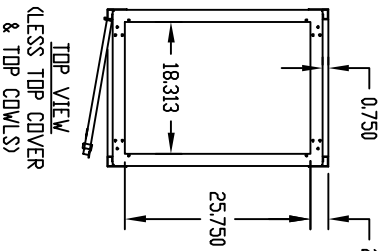
PART NAME SERIES 30 UPRIGHT ADD-A-RACK

PART No. 30-2500 TD 30-2506

REV. DATE 1-2-02

FINISH:  
 FRAME ASSEMBLY, DOOR, TOP CWLS & TOP COVER \_\_\_\_\_ GRAY TEXTURE DR  
 ROYAL BLUE TEXTURE  
 PANEL MOUNTING RAILS \_\_\_\_\_ SMOOTH BLACK

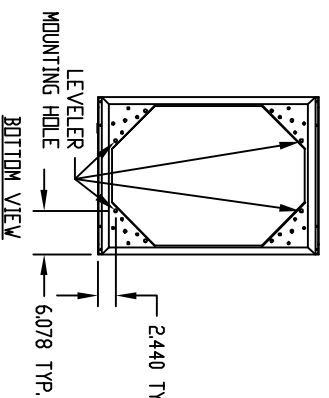
MATERIAL:  
 PANEL MOUNTING RAILS \_\_\_\_\_ 12 GA. STEEL  
 FRAME TOP, BASE ASSEMBLY, FILLERS & VERTICAL RAILS \_\_\_\_\_ 14 GA. STEEL  
 RAIL SUPPORTS \_\_\_\_\_ 16 GA. STEEL  
 TOP CWLS & TOP COVER \_\_\_\_\_ 18 GA. STEEL  
 DOOR \_\_\_\_\_ 20 GA. STEEL



PANEL MOUNTING RAILS (FRONT & REAR) ARE TAPPED #10-32 ON E.I.A. UNIVERSAL SPACING AND ARE FULLY ADJUSTABLE.

BOTTOM PIERCED FOR MOUNTING RC-7758 CASTERS.

LOAD RATING: 1200 LBS. MAX.



PART No.	P.S.	A	B	C	D	E	F	G	H	J
30-2500	21.000	29.625	29.000	26.875	18.937	—	—	—	—	—
30-2501	31.500	40.125	39.500	37.375	29.437	—	—	—	—	—
30-2502	42.000	50.625	50.000	47.875	—	19.281	17.906	—	—	—
30-2503	52.500	61.125	60.500	58.375	—	24.531	23.156	—	—	—
30-2504	61.250	69.875	69.250	67.125	—	28.906	27.531	—	—	—
30-2505	70.000	78.625	78.000	75.875	—	33.281	31.906	—	—	—
30-2506	78.750	87.375	86.750	84.625	—	—	—	25.125	22.312	23.750