



Chipsmall Limited consists of a professional team with an average of over 10 year of expertise in the distribution of electronic components. Based in Hongkong, we have already established firm and mutual-benefit business relationships with customers from,Europe,America and south Asia,supplying obsolete and hard-to-find components to meet their specific needs.

With the principle of “Quality Parts,Customers Priority,Honest Operation,and Considerate Service”,our business mainly focus on the distribution of electronic components. Line cards we deal with include Microchip,ALPS,ROHM,Xilinx,Pulse,ON,Everlight and Freescale. Main products comprise IC,Modules,Potentiometer,IC Socket,Relay,Connector.Our parts cover such applications as commercial,industrial, and automotives areas.

We are looking forward to setting up business relationship with you and hope to provide you with the best service and solution. Let us make a better world for our industry!



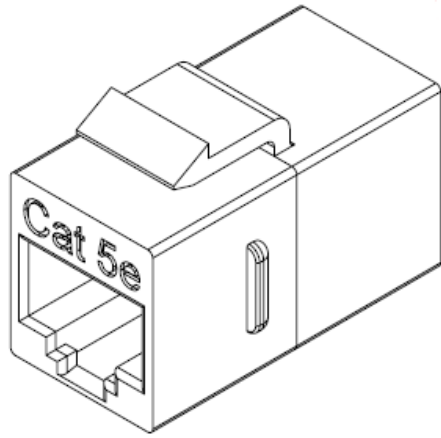
Contact us

Tel: +86-755-8981 8866 Fax: +86-755-8427 6832

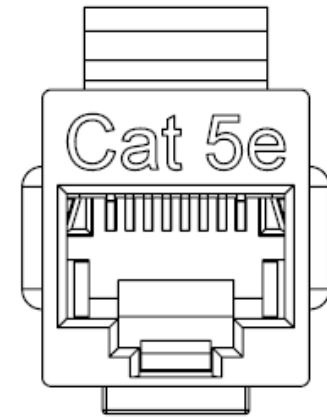
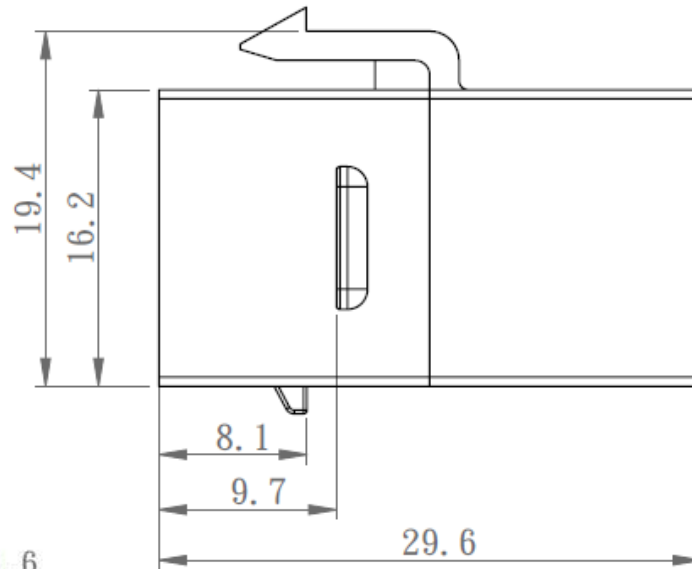
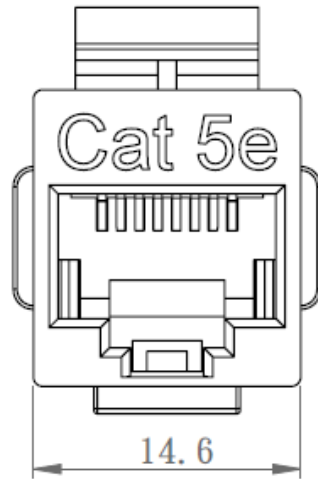
Email & Skype: info@chipsmall.com Web: www.chipsmall.com

Address: A1208, Overseas Decoration Building, #122 Zhenhua RD., Futian, Shenzhen, China

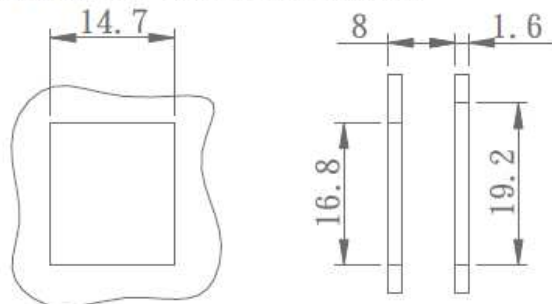




DESCRIPTION:	CAT 5E SLIMLINE COUPLER, BLACK	
MODEL NUMBER:	30-9344B	
APPLICATION:	COUPLER	
CRIMP TOOL:	N/A	
IMPEDANCE:	N/A	
FREQUENCY RANGE:	N/A	
MATERIAL:	COUPLER HOUSING	PC, UL94 V-0
	CONTACT HOLDER	ABS, UL94 V-0
	SPRING WIRE	PHOSPHOR BRONZE, GOLD PLATED
RoHS COMPLIANCE:	YES	
TECHNICAL DETAIL:	N/A	



SUGGESTED MOUNTING CUTOUT



This PROPRIETARY Document is property of Cinch Connectivity Solutions. It is confidential in nature, non-transferable, and issued with the clear understanding that it is not to be copied or disseminated without permission and is returnable upon demand.
INTERPRET DRAWING IN ACCORDANCE WITH ASME Y14.5-2009.

3RD ANGLE PROJECTION	
RoHS2	<input checked="" type="checkbox"/>
2011/65/EU	<input checked="" type="checkbox"/>
UNLESS OTHERWISE SPECIFIED UNITS: METRIC	
.X ±.51	
.XX ±.127	
ANGLES ±2°	

AIM-Cambridge		
Title: CAT 5E SLIMLINE COUPLER, BLACK		
Model No. 30-9344B		
Size A	DO NOT SCALE DRAWING	Date: 2017/2/20
		Sheet 1 of 1