



Chipsmall Limited consists of a professional team with an average of over 10 year of expertise in the distribution of electronic components. Based in Hongkong, we have already established firm and mutual-benefit business relationships with customers from,Europe,America and south Asia,supplying obsolete and hard-to-find components to meet their specific needs.

With the principle of “Quality Parts,Customers Priority,Honest Operation,and Considerate Service”,our business mainly focus on the distribution of electronic components. Line cards we deal with include Microchip,ALPS,ROHM,Xilinx,Pulse,ON,Everlight and Freescale. Main products comprise IC,Modules,Potentiometer,IC Socket,Relay,Connector.Our parts cover such applications as commercial,industrial, and automotives areas.

We are looking forward to setting up business relationship with you and hope to provide you with the best service and solution. Let us make a better world for our industry!



## Contact us

Tel: +86-755-8981 8866 Fax: +86-755-8427 6832

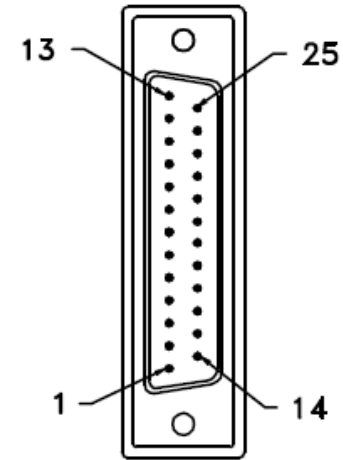
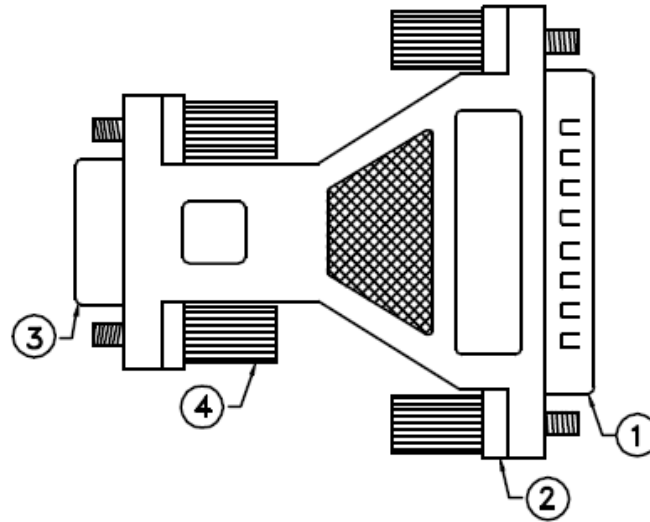
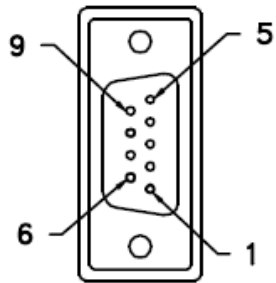
Email & Skype: info@chipsmall.com Web: www.chipsmall.com

Address: A1208, Overseas Decoration Building, #122 Zhenhua RD., Futian, Shenzhen, China





DESCRIPTION: GENDER ADAPTER DB9 (F) to DB25 (M)  
 MODEL NUMBER: 30-9516



**DIM OUTLINE**

<i>Pin Assignment</i>		
DB9 Female		DB25 Male
1	_____	8
2	_____	3
3	_____	2
4	_____	20
5	_____	7
6	_____	6
7	_____	4
8	_____	5
9	_____	22
G	_____	G

ITEM NO.	MATERIAL / SPECIFICATION	QTY REQD	UNIT
4.	4/40 Molded Thumbscrew, Color Beige	4	PCS.
3.	D-Sub 9 Pin Female w/Gold Plating Contacts	1	PCS.
2.	Beige Molded PVC Hood, Fully Shielded w/AL-FOIL	1	PCS.
1.	D-Sub 25 Pin Male W/Gold Plating Contacts	1	PCS.
<b>CABLE ASSEMBLY PARTS LIST</b>			



**cinch**  
 CONNECTIVITY SOLUTIONS  
 © 2015 GROUP

This PROPRIETARY Document is property of Cinch Connectivity Solutions. It is confidential in nature, non-transferable, and issued with the clear understanding that it is not to be copied without permission and is returnable upon demand.

INTERPRET DRAWING IN ACCORDANCE WITH ASME Y14.5-2009.

3RD ANGLE PROJECTION

RoHS2  2011/65/EU

UNLESS OTHERWISE SPECIFIED UNITS: METRIC

.X ±.2  
.XX ±.07  
ANGLES ±2°

<b>AIM-Cambridge</b>			
Title: GENDER ADAPTER DB9 (F) to DB25 (M)			
Model No. 30-9516			
Size A	DO NOT SCALE DRAWING	Date: 11/10/2015	Sheet 1 of 1