



Chipsmall Limited consists of a professional team with an average of over 10 year of expertise in the distribution of electronic components. Based in Hongkong, we have already established firm and mutual-benefit business relationships with customers from,Europe,America and south Asia,supplying obsolete and hard-to-find components to meet their specific needs.

With the principle of “Quality Parts,Customers Priority,Honest Operation,and Considerate Service”,our business mainly focus on the distribution of electronic components. Line cards we deal with include Microchip,ALPS,ROHM,Xilinx,Pulse,ON,Everlight and Freescale. Main products comprise IC,Modules,Potentiometer,IC Socket,Relay,Connector.Our parts cover such applications as commercial,industrial, and automotives areas.

We are looking forward to setting up business relationship with you and hope to provide you with the best service and solution. Let us make a better world for our industry!



## Contact us

Tel: +86-755-8981 8866 Fax: +86-755-8427 6832

Email & Skype: info@chipsmall.com Web: www.chipsmall.com

Address: A1208, Overseas Decoration Building, #122 Zhenhua RD., Futian, Shenzhen, China



5

4

3

2

1



Description: Gender Adapter DB9 (M) to DB25 (F)  
 Part No: 30-9520

DRAWING NO.  
30-9520-CUST

**REVISIONS**

01					OFFICIAL RELEASE				
12-19-12	G	Z	M	W	M	L		ECO-12-0335	<i>[Signature]</i>

D

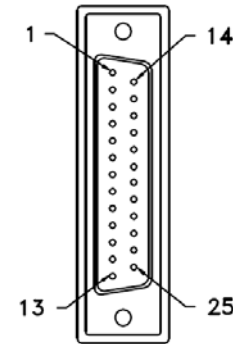
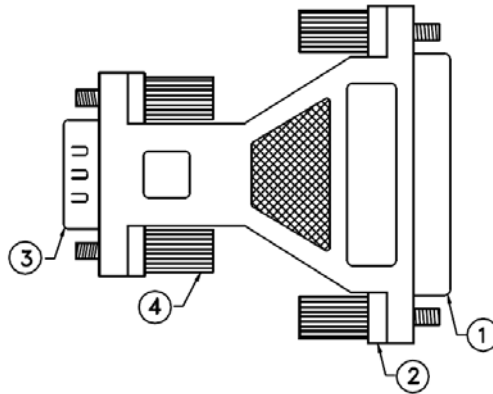
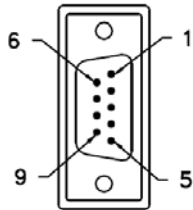
D

C

C

**Pin Assignment**

DB9 Male	DB25 Female
1	8
2	3
3	2
4	20
5	7
6	6
7	4
8	5
9	22
G	G



**DIM OUTLINE**

B

B

**CUSTOMER COPY**

A

A

ITEM NO.	MATERIAL / SPECIFICATION	QTY REQD	UNIT
4.	4/40 Molded Thumbscrew, Color Beige	2	PCS.
3.	D-Sub 9 Pin Male w/Gold Plating Contacts	1	PCS.
2.	Beige Molded PVC Hood, Fully Shielded w/AL-FOIL	1	PCS.
1.	D-Sub 25 Pin Female W/Gold Plating Contacts	1	PCS.

**CABLE ASSEMBLY PARTS LIST**

TOLERANCE UNLESS OTHERWISE SPECIFIED		DRAWN BY GARY.ZHG	DATE 12-19-12
DECIMALS	mm	CHECKED BY MONICA.W	DATE 12-19-12
X.X	+ 0.2	APPROVED BY MA LIN	DATE 12-19-12
X.XX	+ 0.1		
X.XXX	+0.08		
ANGLES	+ 0.5°	U/M	mm



TITLE  
Gender Adapter DB9 (M) to DB25 (F)

THIS DRAWING WAS PRODUCED BY COMPUTER,  
DO NOT SCALE DRAWING OR UPDATE MANUALLY.

SHEET 1 OF 1	DRAWING NO. 30-9520-CUST	SIZE A
-----------------	-----------------------------	-----------

5

4

3

2

1