



Chipsmall Limited consists of a professional team with an average of over 10 year of expertise in the distribution of electronic components. Based in Hongkong, we have already established firm and mutual-benefit business relationships with customers from,Europe,America and south Asia,supplying obsolete and hard-to-find components to meet their specific needs.

With the principle of “Quality Parts,Customers Priority,Honest Operation,and Considerate Service”,our business mainly focus on the distribution of electronic components. Line cards we deal with include Microchip,ALPS,ROHM,Xilinx,Pulse,ON,Everlight and Freescale. Main products comprise IC,Modules,Potentiometer,IC Socket,Relay,Connector.Our parts cover such applications as commercial,industrial, and automotives areas.

We are looking forward to setting up business relationship with you and hope to provide you with the best service and solution. Let us make a better world for our industry!



Contact us

Tel: +86-755-8981 8866 Fax: +86-755-8427 6832

Email & Skype: info@chipsmall.com Web: www.chipsmall.com

Address: A1208, Overseas Decoration Building, #122 Zhenhua RD., Futian, Shenzhen, China



SERIES 3000 CUSTOM PACKAGED THERMOSTATS

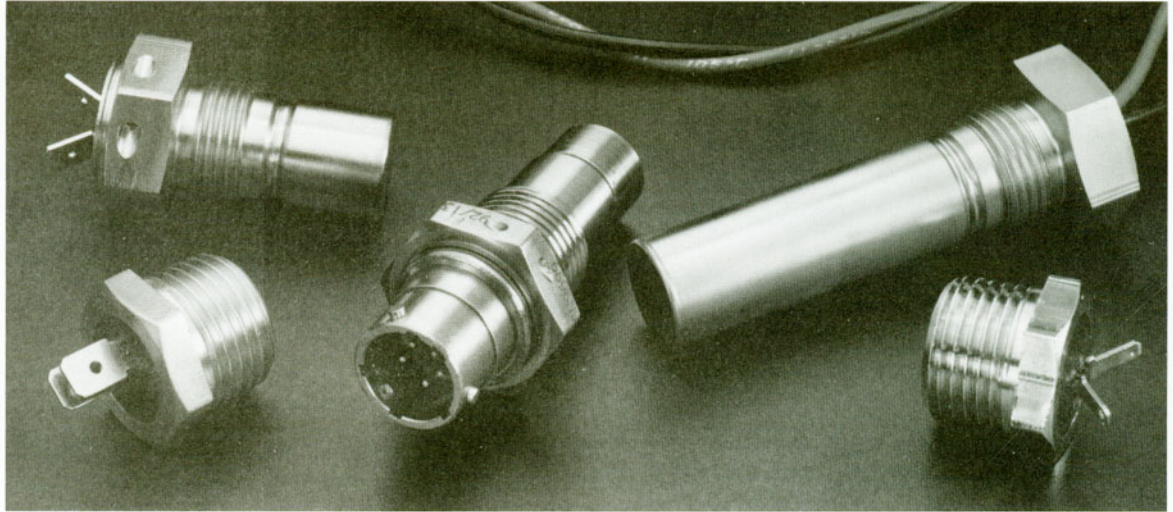
Typical Applications:

Aircraft Bleed Air
Duct Sensing

Hydraulic Oil
Temperature Control

Liquid Bath Control

Heater Control



The Series 3000 incorporates an Elmwood Sensors' thermostat assembled in a custom package for use in a variety of applications that require flexibility in mounting and terminal configurations.

A typical configuration includes:
Series 3100 Hermetic Internal Thermostat
Terminal Selection
Housing Selection
Customized Part Number

The opposite page shows a variety of connectors, leads, terminals and shells currently available for hermetic thermostats. See **Part III, Section B for Non-Hermetic Configurations**, or call **Elmwood Sensors for configurations not shown here**.

To insure that a safe combination of thermostat and application is achieved, the purchaser must determine product suitability for their individual requirements.

Key Features:

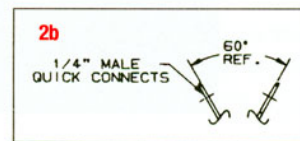
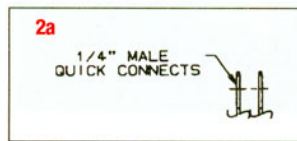
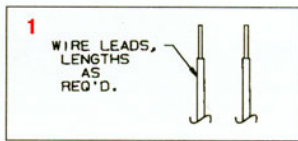
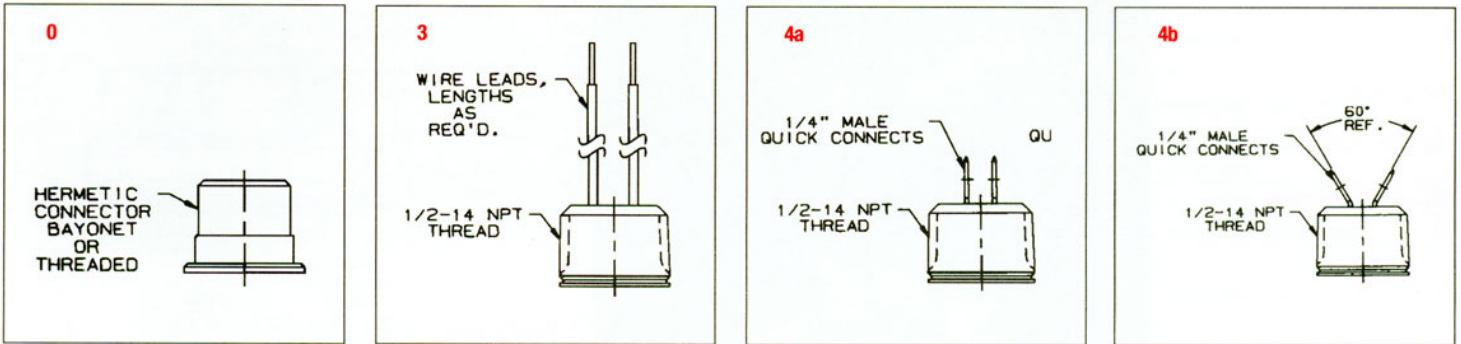
- Customized Probe Length (up to 6" or 152mm)
- Connector Options
- Internal and External Design Options

For a customized part number, replace the X which appears at the end of the Housing number with your terminal selection.

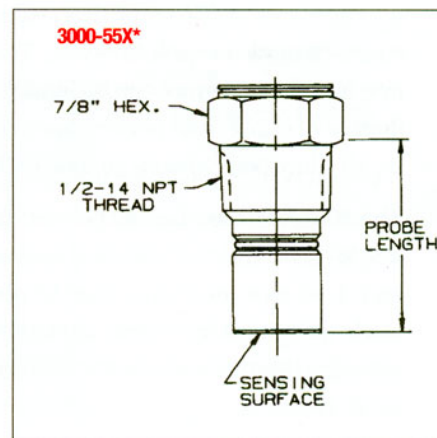
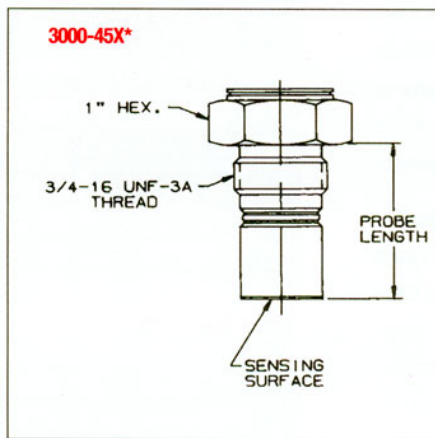
Example: Part Number 3000-531

SERIES 3000 CUSTOM PACKAGED THERMOSTATS

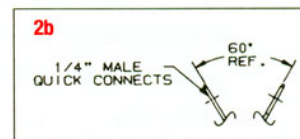
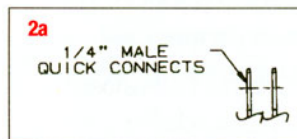
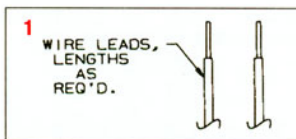
Terminations



Housings



Terminations



Housings

