



Chipsmall Limited consists of a professional team with an average of over 10 year of expertise in the distribution of electronic components. Based in Hongkong, we have already established firm and mutual-benefit business relationships with customers from,Europe,America and south Asia,supplying obsolete and hard-to-find components to meet their specific needs.

With the principle of “Quality Parts,Customers Priority,Honest Operation,and Considerate Service”,our business mainly focus on the distribution of electronic components. Line cards we deal with include Microchip,ALPS,ROHM,Xilinx,Pulse,ON,Everlight and Freescale. Main products comprise IC,Modules,Potentiometer,IC Socket,Relay,Connector.Our parts cover such applications as commercial,industrial, and automotives areas.

We are looking forward to setting up business relationship with you and hope to provide you with the best service and solution. Let us make a better world for our industry!



Contact us

Tel: +86-755-8981 8866 Fax: +86-755-8427 6832

Email & Skype: info@chipsmall.com Web: www.chipsmall.com

Address: A1208, Overseas Decoration Building, #122 Zhenhua RD., Futian, Shenzhen, China



enGage II: Battery Voltage Monitor 3001R-97X-0001



Technical Specifications

Operating Voltage Range 12V nominal voltage, +/- 25%

Operating Current Range Nominal- 19 mA, maximum 35 mA. Values reflect key switch in "on" position

Display: LCD with 10-segment bar and 5 digit numeric (5mm high)

Hour Meter Range & Resolution: 99,999 Total Hours

Hardware: Mounting Bracket

Panel Cutout: 52 mm / 2 1/16" diameter

Shock SAE J 1378 Amplitude
44-55 g, half sine, 9-13 ms duration

Vibration SAE J 1378 Double amplitude of 1.53mm with frequency sweep for 10-80-10 Hz (20 g max) at 1 minute intervals

Storage Temperature: -50°C to +90°C

Operating Temperature: -40°C to +85°C

Humidity: 95% RH (non-condensing)

IP Rating: 65 Front & Rear with AMP connector installed

Terminal Assignments

Description	Connector Pin #
<i>(V+) Supply voltage positive terminal</i>	4
<i>(V-) Supply voltage negative terminal</i>	8
<i>Key switch (+):</i> When V+ is applied this switch operates the gauge display.	6
<i>FET output:</i> MOSFET (0.5A) open drain type internally tied to V-.	7
<i>Hour Meter Enable (+):</i> When V+ applied, accumulation of time occurs when key switch on	3

Maintenance

The enGage™II 3000 Series is not serviceable.


Safety Instructions

- This instrument was manufactured and tested according to the applicable technical standards. It complies with all the safety regulations as shipped from the factory.
- Installation and startup must be performed by skilled personnel.
- Failure to install and operate the unit in accordance with these instructions may result in damage or injury.
- If safe operation of the instrument can no longer be ensured, stop and secure it against accidental operation.
- If instrument failure or malfunction may cause personal injury or material damage, use additional safety measures such as limit switches, guards, etc.
- Read the Operating Instructions carefully before startup.
- Note the safety instructions marked with this warning symbol in this manual.

Guarantee

Curtis Instruments' products and/or components are guaranteed against defects in workmanship and material for a period of two years, or as defined in the individual product literature, from date of shipment from our factory, when applied in a proper application within specified ratings. This guarantee is limited to repair or replacement F.O.B. our factory. There is no further warranty or implied representation, guarantee, promise or agreement as to any Curtis Instruments product and/or component. Curtis Instruments, Inc., cannot assume responsibility or accept invoices for unauthorized repairs to its products and/or components, even though defective. In no case will Curtis Instruments' responsibility extend to products, components or equipment not of its manufacture. Under no circumstances shall Curtis Instruments, Inc. be liable for any special or consequential damages or loss of profits or other damages. Returned goods will not be accepted unless identified by a Curtis Return Material Authorization (RMA). All specifications are subject to change without notice.

LCD Icons

 **Battery Icon** – Repeatedly flashes when voltage too low/high. No flash indicates voltage within programmed limits.

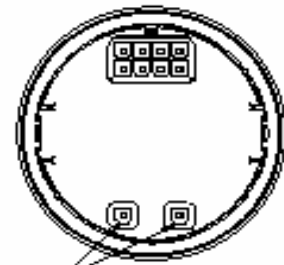
Sender Troubleshoot

Voltage Monitor Function

Problem	Possible Cause
No Display	Terminals not connected. Improper voltage.
Stays At FULL	Instrument voltage does not match battery voltage. V+ connected to wrong terminal.
Stays at EMPTY	Instrument voltage does not match battery voltage. V+ connected to wrong terminal

Notes

1. Mating connector; 8-pin AMP, P/N 794821-1 with UL rating 94V-0. Interface seal, P/N 794772-0. Wire seal 794758-1, Pins P/N770904-X for #18-24 AWG.
2. Material: Case-polycarbonate, lens-clear polymethylmethacrylat (PMMA) cover, overlay and mounting bracket-polycarbonate.
3. This unit is designed for a mounting panel thickness of 0.8mm-6.4mm.
4. Panel cutout: 52mm diameter dash panel hole.



USED FOR DEVICE CONFIGURATION
DO NOT CONNECT WHEN INSTALLING GAGE

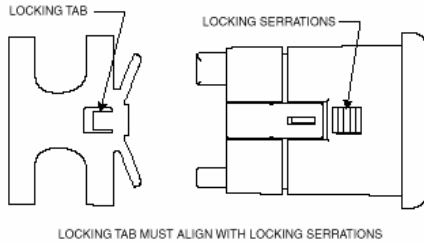
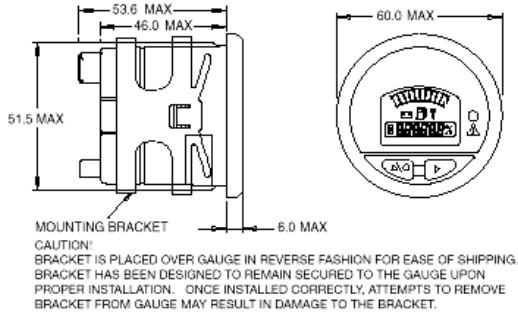
Installation

Caution!

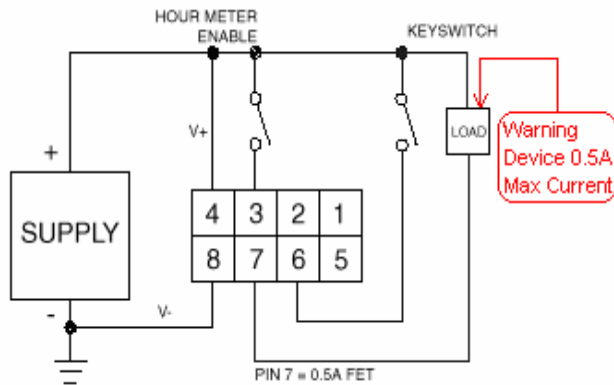
Bracket has been designed to remain secured to the gauge upon proper installation. Once installed correctly, attempts to remove bracket from gauge may result in damage to the bracket.

Curtis enGage™ II instruments are mounted in a 52mm round cutout. Serrations on the barrel of the gauge, combined with the mounting bracket provided, insure fast and trouble free installation. To insure proper installation, the 2 locking tabs on either side of the inner diameter of the bracket should align with the serrations on the barrel of the gauge (see drawing above). Next, slide the bracket over the barrel of the gauge and press it firmly against back of panel. You should hear the tab sliding over the serrations.

Curtis enGage™ II mates with an 8-pin AMP connector (AMP pins P/N 770904-X FOR #18-24 AWG P/N 794821-1). A preassembled mating connector kit (Curtis P/N 17633308-03=AMP) with crimp-connect terminated wires (approx. 127mm in length) is also available.



Wiring Diagram



Output and Warning LED

Function	LED Activated	FET Opens
Voltage	2 nd LMB & RMB	2 nd LMB & RMB

KEY

- RMB** = Right Most LCD Bar
- LMB** = Left Most LCD Bar.

Installation Procedure

- Mount unit in standard SAE round cutout.
- Connect supply voltage to pins indicated: (V+) pin 4, (V-) pin 8.
- Connect pin 6, as appropriate for key switch, to enable gauge display.
- Connect pin 3 as appropriate to activate the hour meter.
- Connect pin 7 to an appropriate controller for audio, visual, horn, or other warning device (load). **Caution:** Max current draw on warning device is 0.5 Amps.