



Chipsmall Limited consists of a professional team with an average of over 10 year of expertise in the distribution of electronic components. Based in Hongkong, we have already established firm and mutual-benefit business relationships with customers from,Europe,America and south Asia,supplying obsolete and hard-to-find components to meet their specific needs.

With the principle of "Quality Parts,Customers Priority,Honest Operation,and Considerate Service",our business mainly focus on the distribution of electronic components. Line cards we deal with include Microchip,ALPS,ROHM,Xilinx,Pulse,ON,Everlight and Freescale. Main products comprise IC,Modules,Potentiometer,IC Socket,Relay,Connector.Our parts cover such applications as commercial,industrial, and automotives areas.

We are looking forward to setting up business relationship with you and hope to provide you with the best service and solution. Let us make a better world for our industry!



Contact us

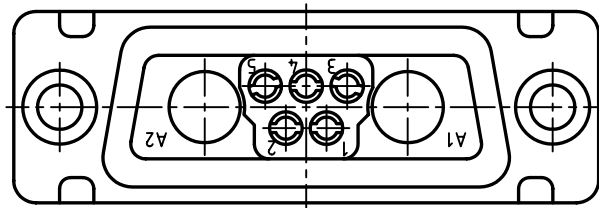
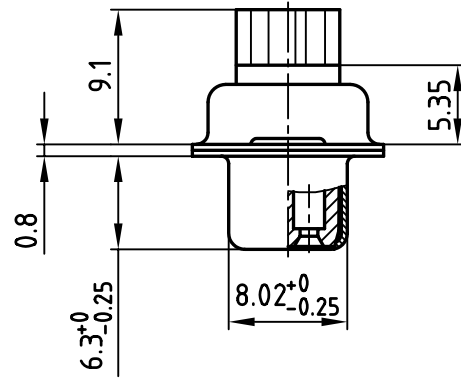
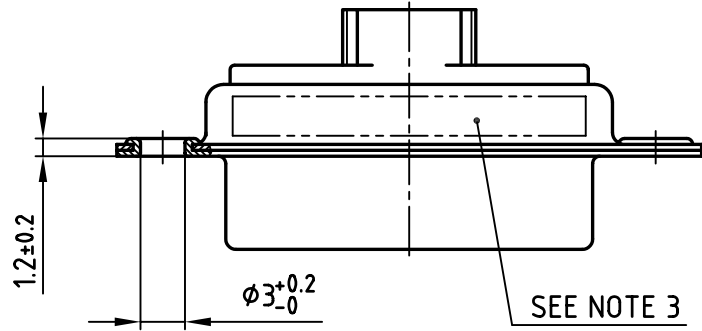
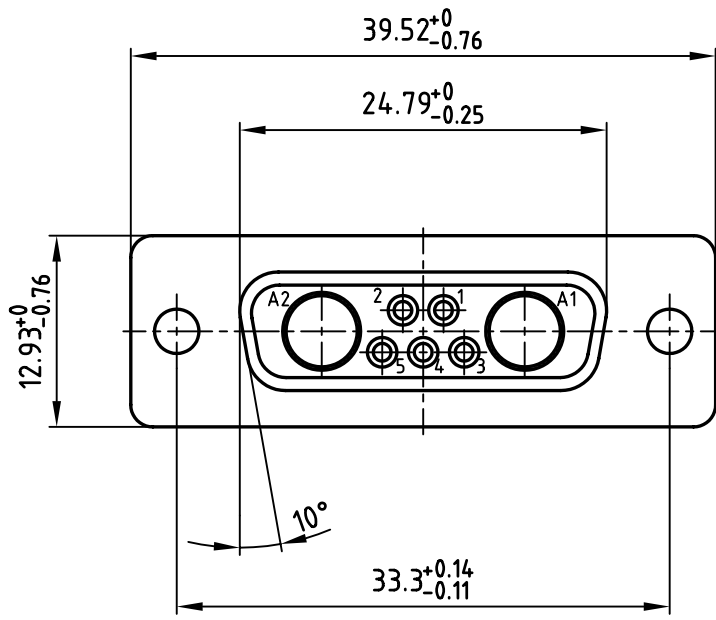
Tel: +86-755-8981 8866 Fax: +86-755-8427 6832

Email & Skype: info@chipsmall.com Web: www.chipsmall.com

Address: A1208, Overseas Decoration Building, #122 Zhenhua RD., Futian, Shenzhen, China



used for: D-SUB COMBINATION CRIMP



PART NO.
3007W2SXK99A10X
CFL7W2S7-K121

Directive 2002/95/EC
„RoHS“
Compliant

NOTES:

1. METALSHELLS: STEEL; min. 320µin TIN
2. INSULATORS: PBT GF UL 94 V-0, BLACK
3. CONNECTOR IS PART MARKED: PART NO. CONEC ABC

APPROVAL # FREIGABE # DEBLOCAGE # AUTORIZACION # APPROVAL	
CUSTOMER APPROVAL DATE:	
NAME:	TITLE:
COMPANY NAME:	
APPROVAL # FREIGABE # DEBLOCAGE # AUTORIZACION # APPROVAL	

THIS DRAWING MAY NOT BE COPIED OR REPRODUCED IN ANY WAY, AND MAY NOT BE PASSED ON TO A THIRD PARTY WITHOUT WRITTEN PERMISSION.		
OWNERSHIP AND COPYRIGHT OF CONEC GmbH		
DO NOT ALTER CAD DRAWING BY HAND		
rev.	description	date name

tolerance		dim. in mm
2001	date	
drawn	31.10.	Parei
appd.	31.10.	Mickenbecker
norm		
d-old		

scale:	2:1	
material:	SEE NOTES	
title: D-SUB COMBINATION FEMALE CRIMP STYLE 7W2S		
dwg no:	AutoCAD 2000	DIN-A
	13K1A386A	3
		sh:1/1
part no:	SEE TABLE	

