



Chipsmall Limited consists of a professional team with an average of over 10 year of expertise in the distribution of electronic components. Based in Hongkong, we have already established firm and mutual-benefit business relationships with customers from,Europe,America and south Asia,supplying obsolete and hard-to-find components to meet their specific needs.

With the principle of “Quality Parts,Customers Priority,Honest Operation,and Considerate Service”,our business mainly focus on the distribution of electronic components. Line cards we deal with include Microchip,ALPS,ROHM,Xilinx,Pulse,ON,Everlight and Freescale. Main products comprise IC,Modules,Potentiometer,IC Socket,Relay,Connector.Our parts cover such applications as commercial,industrial, and automotives areas.

We are looking forward to setting up business relationship with you and hope to provide you with the best service and solution. Let us make a better world for our industry!



Contact us

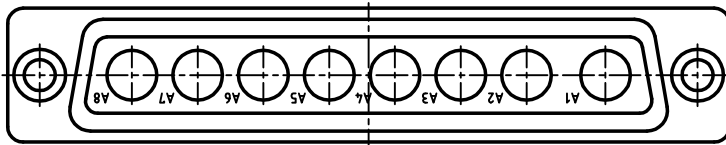
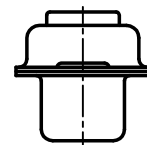
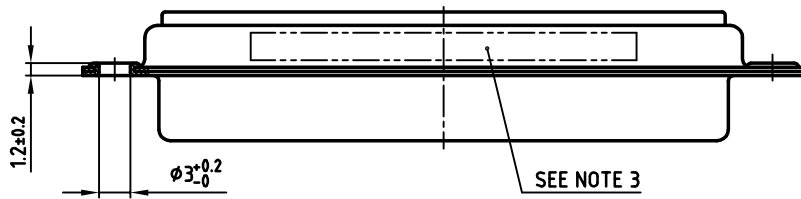
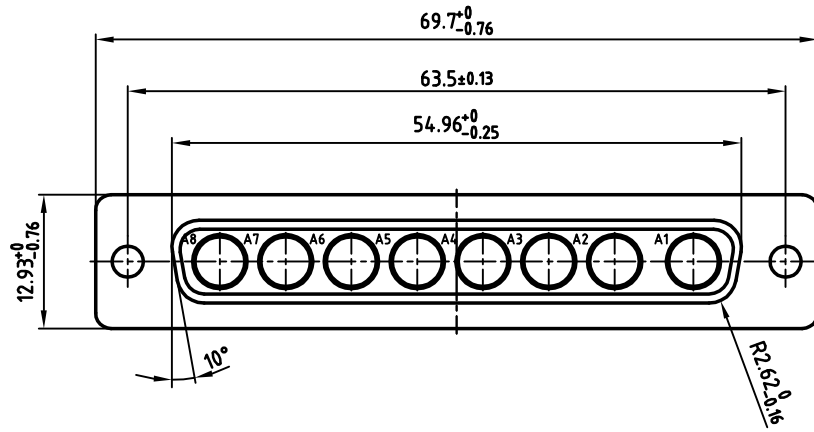
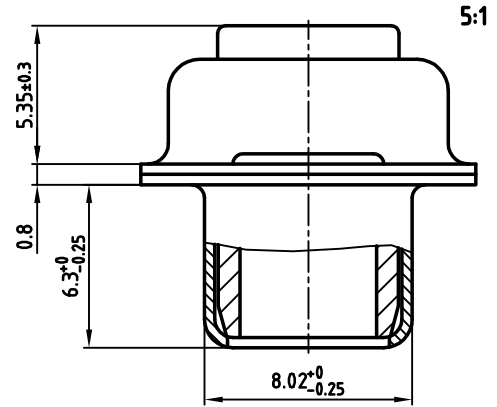
Tel: +86-755-8981 8866 Fax: +86-755-8427 6832

Email & Skype: info@chipsmall.com Web: www.chipsmall.com

Address: A1208, Overseas Decoration Building, #122 Zhenhua RD., Futian, Shenzhen, China



used for: D-SUB COMBINATION



(b) NOTES:

1. METALSHELLS: STEEL; min. 315µin TIN over 40-80µin NICKEL
2. INSULATORS: PBT GF UL 94 V-0; GREEN
3. CONNECTOR IS PART MARKED: PART NO: CONEC ABC

Directive 2002/95/EC
„RoHS“
Compliant

THIS DRAWING MAY NOT BE COPIED OR REPRODUCED IN ANY WAY, AND MAY NOT BE PASSED ON TO A THIRD PARTY, WITHOUT WRITTEN PERMISSION. OWNERSHIP AND COPYRIGHT OF CONEC GmbH DO NOT ALTER CAD DRAWING BY HAND

1 x b	Ä 2849	26.10.2007	Petker	1997	date	name	tolerance	<table border="1" style="width: 100%; border-collapse: collapse;"> <tr> <td colspan="2">scale:</td> <td>2:1 (5:1)</td> </tr> <tr> <td colspan="2">material:</td> <td>SEE NOTES</td> </tr> <tr> <td colspan="2">title:</td> <td>D-SUB COMBINATION FEMALE 8W8S</td> </tr> <tr> <td colspan="2">dwg no:</td> <td>AutoCAD/REL.13 DIN-A</td> </tr> </table>		scale:		2:1 (5:1)	material:		SEE NOTES	title:		D-SUB COMBINATION FEMALE 8W8S	dwg no:		AutoCAD/REL.13 DIN-A
scale:		2:1 (5:1)																			
material:		SEE NOTES																			
title:		D-SUB COMBINATION FEMALE 8W8S																			
dwg no:		AutoCAD/REL.13 DIN-A																			
a	Origin			drawn	29.07.	Barcinski															
rev.	description	date	name	appd.	29.07.	Mickenbecker															
				norm																	
				d-old																	



dwg no:		AutoCAD/REL.13	DIN-A
		16K11BKA	3
		sh: 1/1	
part no: 3008W8SXX99A10X			