



Chipsmall Limited consists of a professional team with an average of over 10 year of expertise in the distribution of electronic components. Based in Hongkong, we have already established firm and mutual-benefit business relationships with customers from,Europe,America and south Asia,supplying obsolete and hard-to-find components to meet their specific needs.

With the principle of “Quality Parts,Customers Priority,Honest Operation,and Considerate Service”,our business mainly focus on the distribution of electronic components. Line cards we deal with include Microchip,ALPS,ROHM,Xilinx,Pulse,ON,Everlight and Freescale. Main products comprise IC,Modules,Potentiometer,IC Socket,Relay,Connector.Our parts cover such applications as commercial,industrial, and automotives areas.

We are looking forward to setting up business relationship with you and hope to provide you with the best service and solution. Let us make a better world for our industry!



Contact us

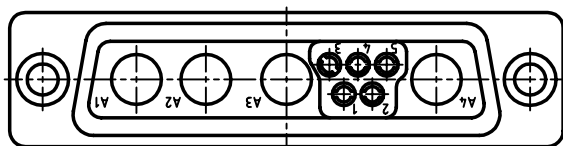
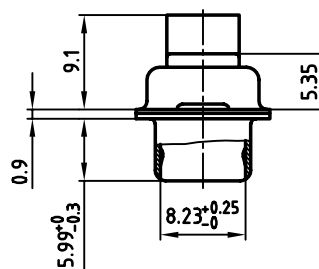
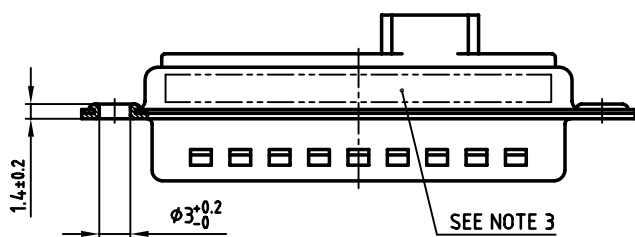
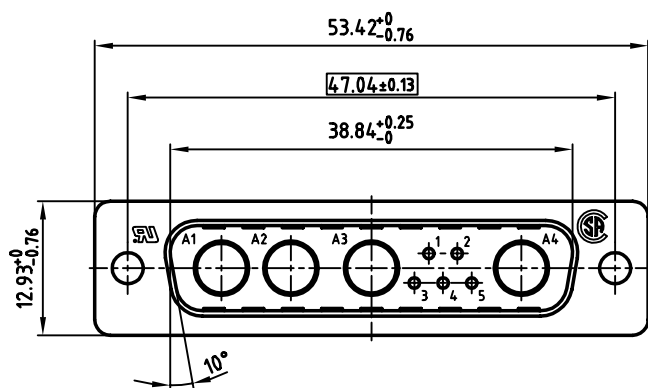
Tel: +86-755-8981 8866 Fax: +86-755-8427 6832

Email & Skype: info@chipsmall.com Web: www.chipsmall.com

Address: A1208, Overseas Decoration Building, #122 Zhenhua RD., Futian, Shenzhen, China



used for: D-SUB COMBINATION CRIMP



NOTES:

1. METALSHELLS: STEEL; TIN PLATED
2. INSULATORS: PBT GF UL 94 V-0; BLACK
3. CONNECTOR IS PART MARKED: PART NO.: CONEC Y/W/W
4. = CRITICAL DIMENSION: SPC

Directive 2002/95/EC
„RoHS“
Compliant

THIS DRAWING MAY NOT BE COPIED OR REPRODUCED IN ANY WAY, AND MAY NOT BE PASSED ON TO A THIRD PARTY, WITHOUT WRITTEN PERMISSION. OWNERSHIP AND COPYRIGHT OF CONEC GmbH DO NOT ALTER CAD DRAWING BY HAND

rev.	description	date	name

tolerance			scale: 2:1
			material: SEE NOTES
1998	date	name	D-SUB COMBINATION MALE CRIMP STYLE 9W4P
drawn	25.11	Barcinski	
appd.	25.11.	Mickenbecker	
norm			
d-old			
			dwg no: AutoCAD/REL.13 DIN-A
			13K11L1A sh: 1/1
			part no: 3009W4P XK99A10X

title:		3	
		sh: 1/1	