



Chipsmall Limited consists of a professional team with an average of over 10 year of expertise in the distribution of electronic components. Based in Hongkong, we have already established firm and mutual-benefit business relationships with customers from,Europe,America and south Asia,supplying obsolete and hard-to-find components to meet their specific needs.

With the principle of “Quality Parts,Customers Priority,Honest Operation,and Considerate Service”,our business mainly focus on the distribution of electronic components. Line cards we deal with include Microchip,ALPS,ROHM,Xilinx,Pulse,ON,Everlight and Freescale. Main products comprise IC,Modules,Potentiometer,IC Socket,Relay,Connector.Our parts cover such applications as commercial,industrial, and automotives areas.

We are looking forward to setting up business relationship with you and hope to provide you with the best service and solution. Let us make a better world for our industry!



Contact us

Tel: +86-755-8981 8866 Fax: +86-755-8427 6832

Email & Skype: info@chipsmall.com Web: www.chipsmall.com

Address: A1208, Overseas Decoration Building, #122 Zhenhua RD., Futian, Shenzhen, China



300A SERIES ROCKER SWITCH

- ANTI-VANDAL SWITCHES
- DETECTOR SWITCHES
- DIP SWITCHES
- KEYLOCK SWITCHES
- NAVIGATION SWITCHES
- PUSHBUTTON SWITCHES
- ROCKER SWITCHES**
- ROTARY SWITCHES
- SLIDE SWITCHES
- SNAP ACTION SWITCHES
- TACTILE SWITCHES
- TOGGLE SWITCHES
- CAP OPTIONS



APPLICATIONS / MARKETS



RoHS

SPECIFICATIONS

Contact Rating: Silver: 5A @120VAC or 28VDC; 2A @ 250VAC
 Gold: 0.4VA @ 20V Max (AC or DC)
Contact Resistance: 10mΩ Max Initial
Insulation Resistance: 1,000MΩ
Dielectric Strength: 1,000V RMS at sea level
Operating Temperature: -30°C to 85°C
Contact Arrangement: SPDT, DPDT

FEATURES & BENEFITS

- Multiple rocker & paddle options
- Multiple termination options
- Sealed to IP67
- UL Listed

PART NUMBER CONFIGURATOR

Series	Model No.	Actuator	Actuator Color	Termination	Contact Material	Seal
300A	WSP1 - SPDT On-None-On WSP2 - SPDT On-None-(On) WSP3 - SPDT On-Off-On WSP4 - SPDT (On)-Off-(On) WSP5 - SPDT On-Off-(On) WDP1 - DPDT On-None-On WDP2 - DPDT On-None-(On) WDP3 - DPDT On-Off-On WDP4 - DPDT (On)-Off-(On) WDP5 - DPDT On-Off-(On)	R1 - Panel Mount R2 - Panel Mount R11 - Panel Mount R16 - Panel Mount J1 - PC Mount J2 - PC Mount J3 - PC Mount J4 - PC Mount J5 - PC Mount J6 - PC Mount	BLK - Black RED - Red WHT - White	M1 - Standard Vertical Panel Mount M2 - Standard Vertical PC Mount M3 - Quick Connect Vertical Panel Mount M6 - Horizontal Rt Angle PC Mount M7 - Vertical Rt Angle PC Mount VS2 - Vertical PC Mount w/ Retention Bracket Dim A=0.460 VS21 - Vertical PC Mount w/ Retention Bracket VS3 - Vertical PC Mount w/ Retention Bracket dim A=0.630	Q - Silver R - Gold	E - Epoxy

Specifications subject to change without notice



E-SWITCH®

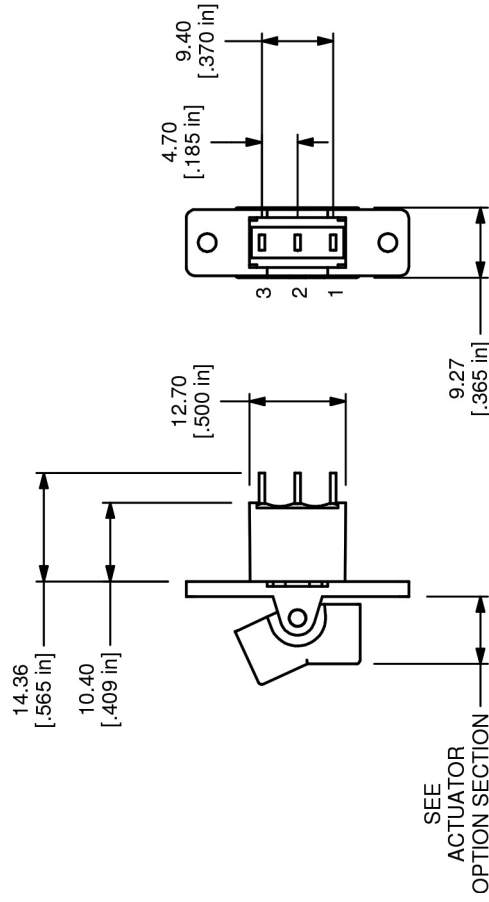
www.e-switch.com

800.867.2717

1

300A SERIES ROCKER SWITCH

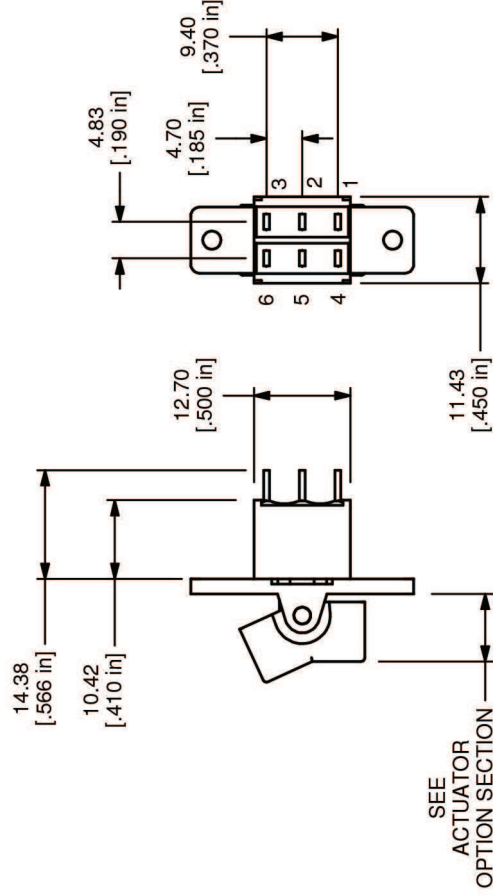
SWITCH FUNCTIONS



SINGLE POLE - SP

MODEL NO.	POS. 1	POS. 2	POS. 3
WSP1	ON	NONE	ON
WSP2	ON	NONE	(ON)
WSP3	ON	OFF	ON
WSP4	(ON)	OFF	(ON)
WSP5	ON	OFF	(ON)
TERMINAL CLOSURE	2-3	OPEN	2-1

() = MOMENTARY



DOUBLE POLE - DP

MODEL NO.	POS. 1	POS. 2	POS. 3
WDP1	ON	NONE	ON
WDP2	ON	NONE	(ON)
WDP3	ON	OFF	ON
WDP4	(ON)	OFF	(ON)
WDP5	ON	OFF	(ON)
TERMINAL CLOSURE	2-3, 5-6	OPEN	2-1, 5-4

() = MOMENTARY

ANTI-VANDAL SWITCHES

DETECTOR SWITCHES

DIP SWITCHES

KEYLOCK SWITCHES

NAVIGATION SWITCHES

PUSHBUTTON SWITCHES

ROCKER SWITCHES

ROTARY SWITCHES

SLIDE SWITCHES

SNAP ACTION SWITCHES

TACTILE SWITCHES

TOGGLE SWITCHES

CAP OPTIONS



E-SWITCH®

www.e-switch.com

800.867.2717

2

300A SERIES ROCKER SWITCH

ANTI-VANDAL SWITCHES

DETECTOR SWITCHES

DIP SWITCHES

KEYLOCK SWITCHES

NAVIGATION SWITCHES

PUSHBUTTON SWITCHES

ROCKER SWITCHES

ROTARY SWITCHES

SLIDE SWITCHES

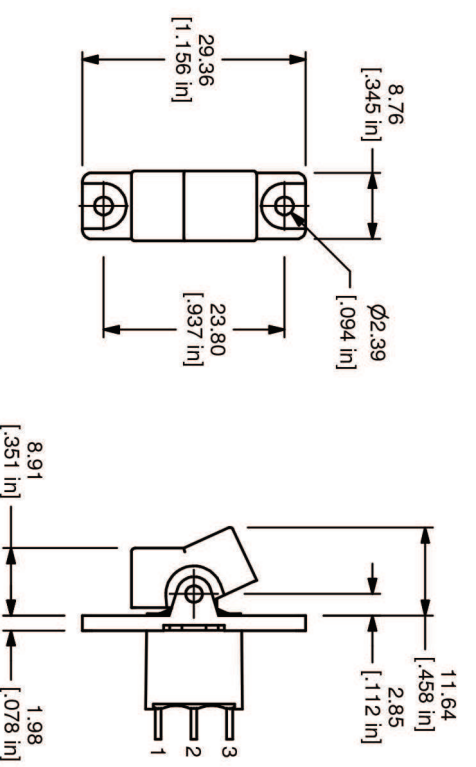
SNAP ACTION SWITCHES

TACTILE SWITCHES

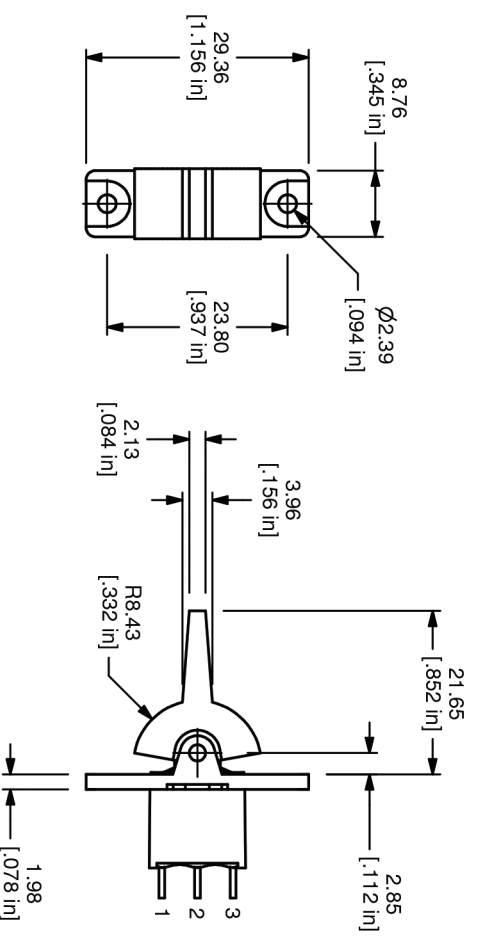
TOGGLE SWITCHES

CAP OPTIONS

PANEL MOUNT ACTUATOR



R1 ACTUATOR



R2 ACTUATOR

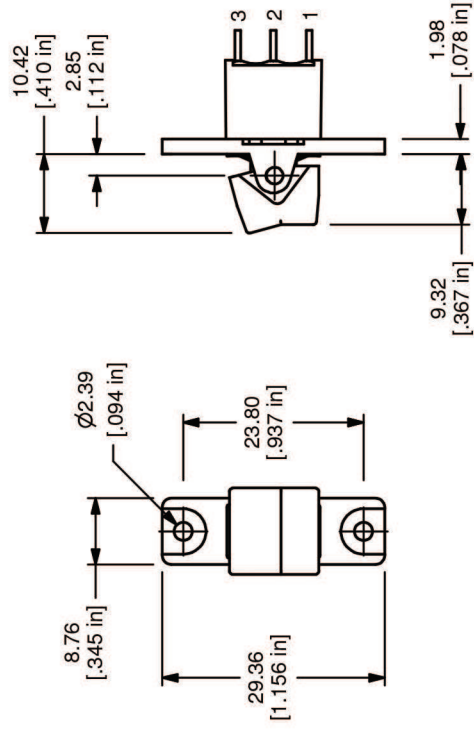


E-SWITCH®

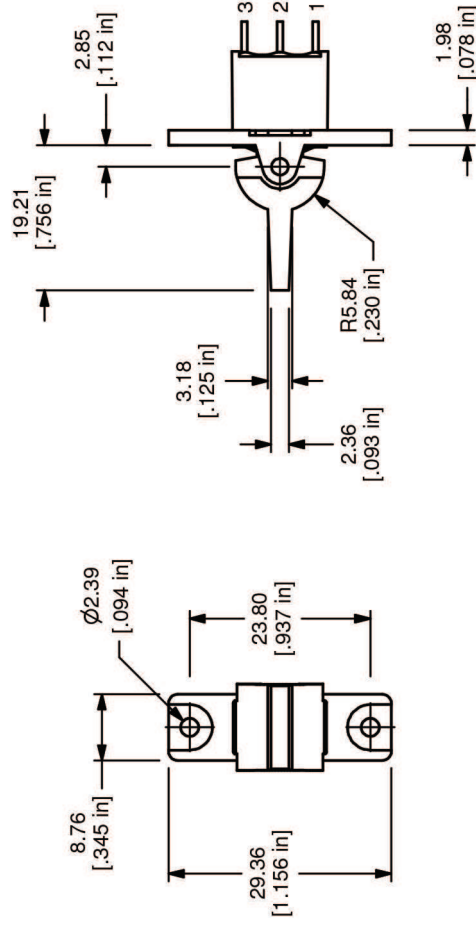
www.e-switch.com 800.867.2717

300A SERIES ROCKER SWITCH

PANEL MOUNT ACTUATOR



R11 ACTUATOR



R16 ACTUATOR

ANTI-VANDAL SWITCHES

DETECTOR SWITCHES

DIP SWITCHES

KEYLOCK SWITCHES

NAVIGATION SWITCHES

PUSHBUTTON SWITCHES

ROCKER SWITCHES

ROTARY SWITCHES

SLIDE SWITCHES

SNAP ACTION SWITCHES

TACTILE SWITCHES

TOGGLE SWITCHES

CAP OPTIONS

300A SERIES ROCKER SWITCH

ANTI-VANDAL SWITCHES

DETECTOR SWITCHES

DIP SWITCHES

KEYLOCK SWITCHES

NAVIGATION SWITCHES

PUSHBUTTON SWITCHES

ROCKER SWITCHES

ROTARY SWITCHES

SLIDE SWITCHES

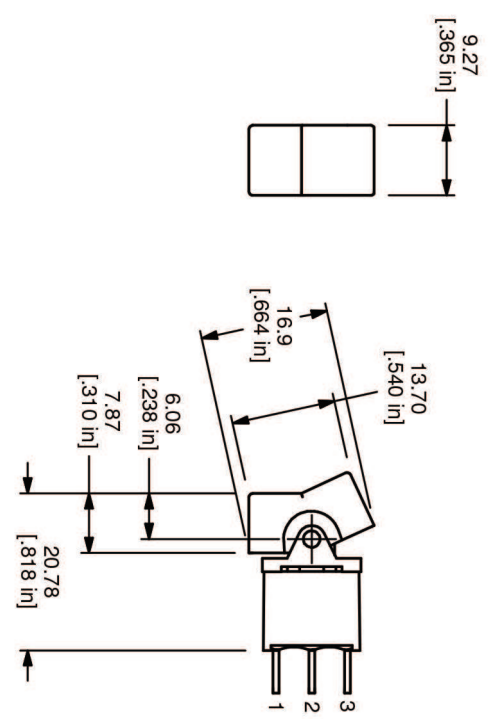
SNAP ACTION SWITCHES

TACTILE SWITCHES

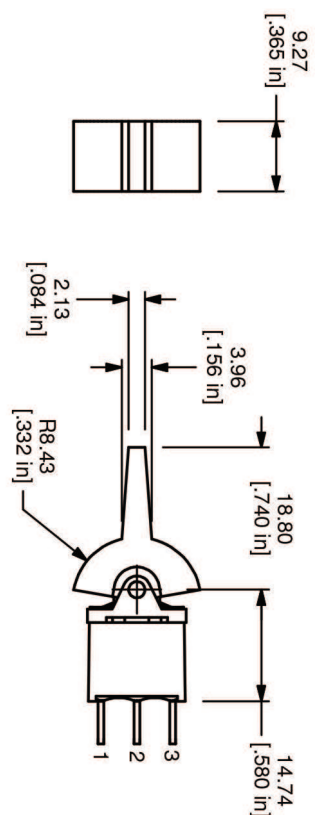
TOGGLE SWITCHES

CAP OPTIONS

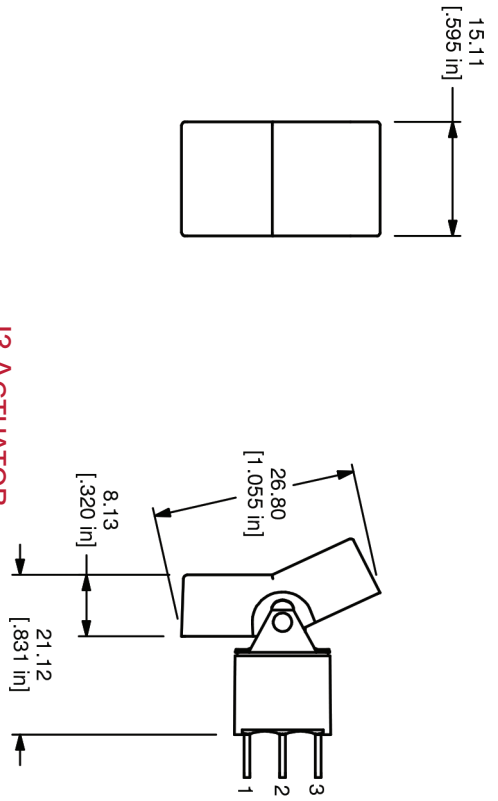
PC MOUNT ACTUATOR



J1 ACTUATOR



J2 ACTUATOR



J3 ACTUATOR



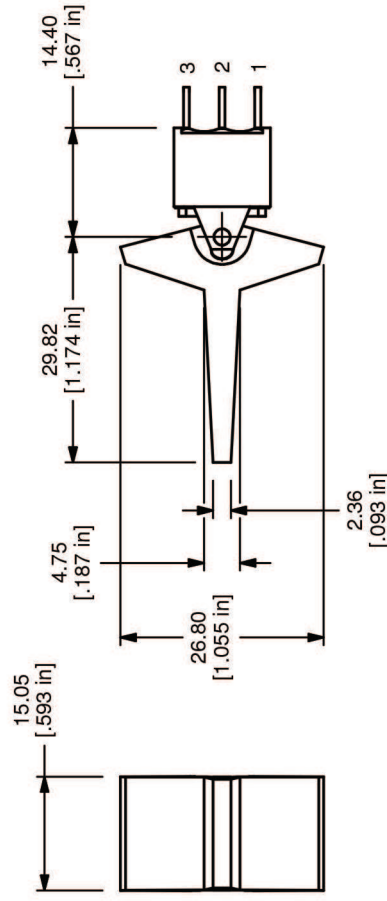
E-SWITCH®

www.e-switch.com

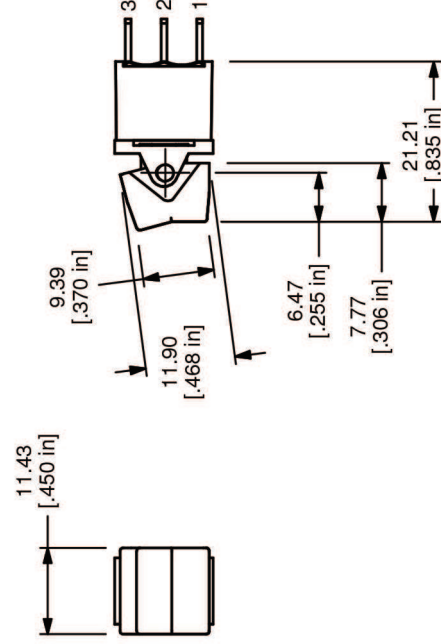
800.867.2717

300A SERIES ROCKER SWITCH

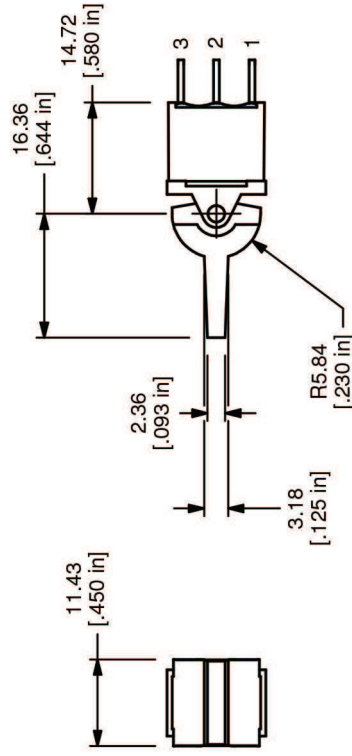
PC MOUNT ACTUATOR



J4 ACTUATOR



J5 ACTUATOR



J6 ACTUATOR

ANTI-VANDAL SWITCHES

DETECTOR SWITCHES

DIP SWITCHES

KEYLOCK SWITCHES

NAVIGATION SWITCHES

PUSHBUTTON SWITCHES

ROCKER SWITCHES

ROTARY SWITCHES

SLIDE SWITCHES

SNAP ACTION SWITCHES

TACTILE SWITCHES

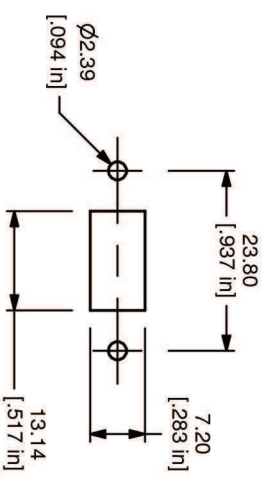
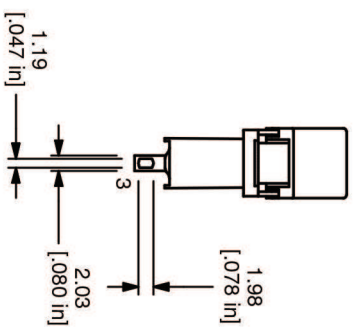
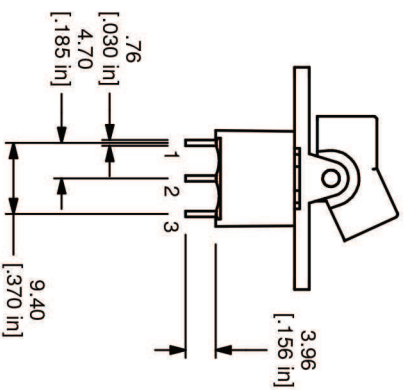
TOGGLE SWITCHES

CAP OPTIONS

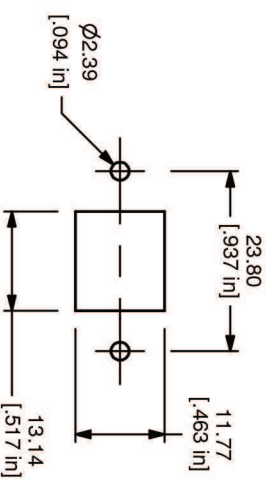
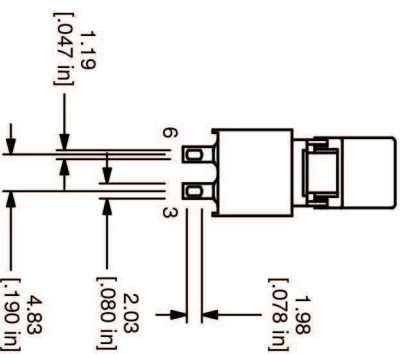
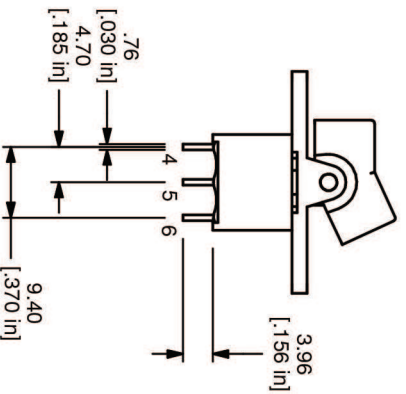


300A SERIES ROCKER SWITCH

PANEL MOUNT TERMINATION



M1 TERMINATION - SP



M1 TERMINATION - DP

CAP OPTIONS	TOGGLE SWITCHES	TACTILE SWITCHES	SNAP ACTION SWITCHES	SLIDE SWITCHES	ROTARY SWITCHES	ROCKER SWITCHES	PUSHBUTTON SWITCHES	NAVIGATION SWITCHES	KEYLOCK SWITCHES	DIP SWITCHES	DETECTOR SWITCHES	ANTI-VANDAL SWITCHES
-------------	-----------------	------------------	----------------------	----------------	-----------------	------------------------	---------------------	---------------------	------------------	--------------	-------------------	----------------------



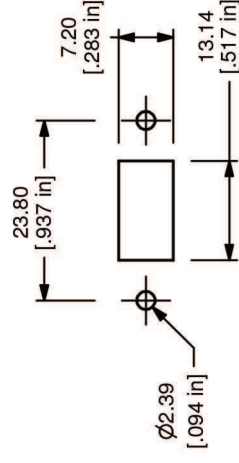
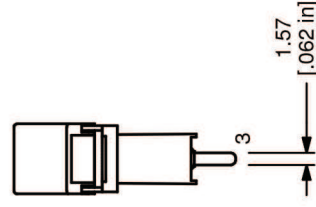
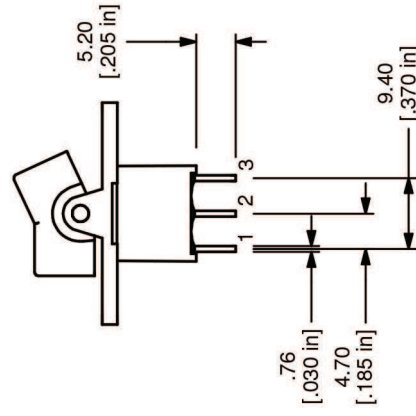
E-SWITCH®

www.e-switch.com

800.867.2717

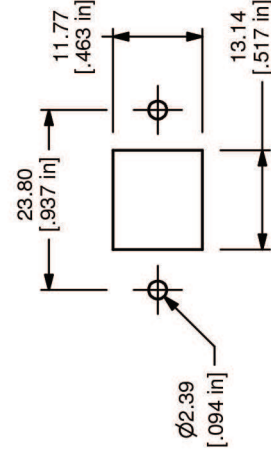
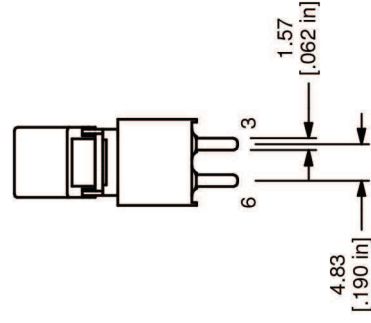
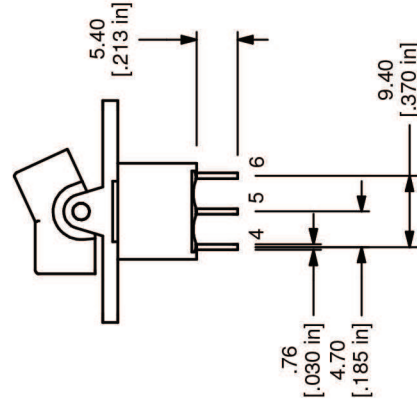
300A SERIES ROCKER SWITCH

PANEL MOUNT TERMINATION



RECOMMENDED M3 SINGLE
POLE PANEL CUTOUT

M3 TERMINATION - SP



RECOMMENDED M3 DOUBLE
POLE PANEL CUTOUT

M3 TERMINATION - DP

ANTI-VANDAL
SWITCHES

DETECTOR
SWITCHES

DIP
SWITCHES

KEYLOCK
SWITCHES

NAVIGATION
SWITCHES

PUSHBUTTON
SWITCHES

ROCKER
SWITCHES

ROTARY
SWITCHES

SLIDE
SWITCHES

SNAP ACTION
SWITCHES

TACTILE
SWITCHES

TOGGLE
SWITCHES

CAP
OPTIONS



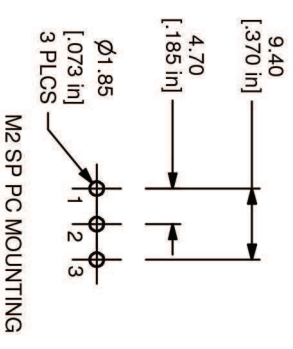
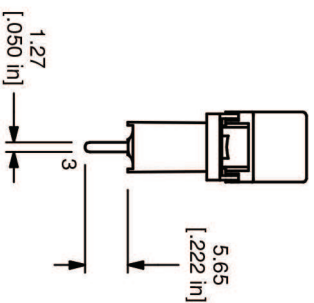
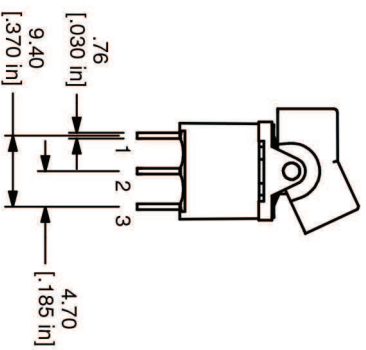
E-SWITCH®

www.e-switch.com

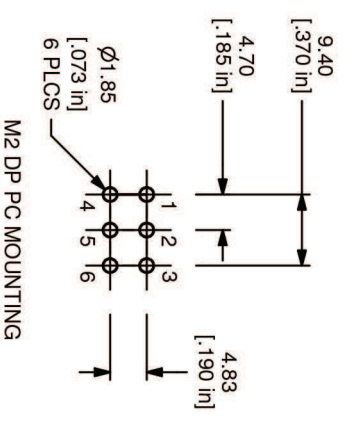
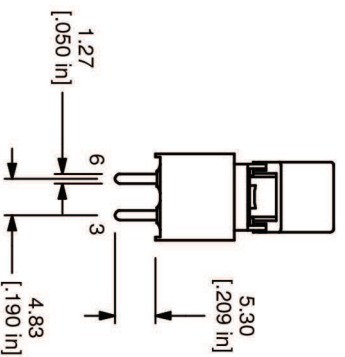
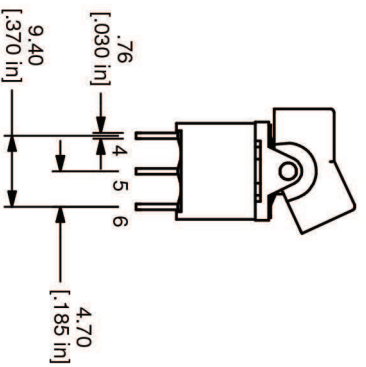
800.867.2717

8

PC MOUNT TERMINATION



M2 TERMINATION - SP



M2 TERMINATION - DP

CAP
OPTIONS

TOGGLE
SWITCHES

TACTILE
SWITCHES

SNAP ACTION
SWITCHES

SLIDE
SWITCHES

ROTARY
SWITCHES

ROCKER
SWITCHES

PUSHBUTTON
SWITCHES

NAVIGATION
SWITCHES

KEYLOCK
SWITCHES

DIP
SWITCHES

DETECTOR
SWITCHES

ANTI-VANDAL
SWITCHES



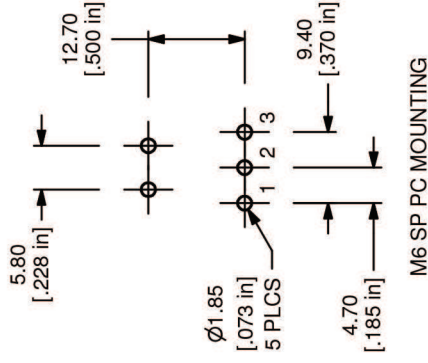
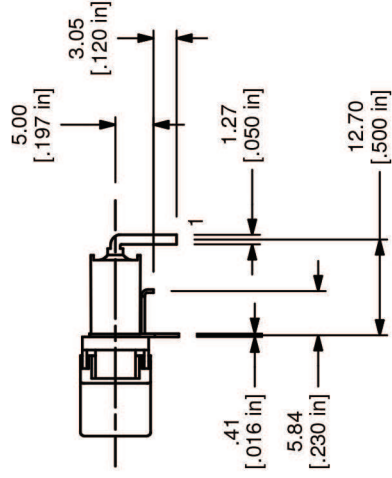
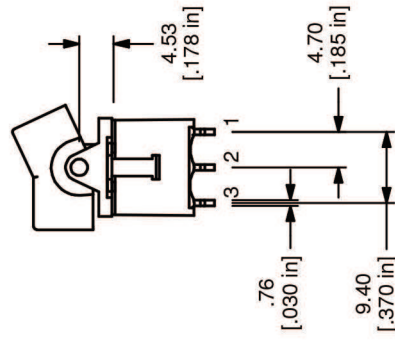
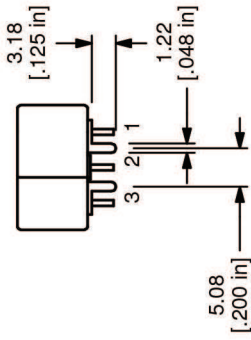
E-SWITCH®

www.e-switch.com

800.867.2717

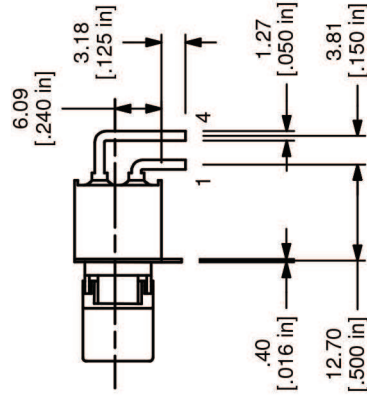
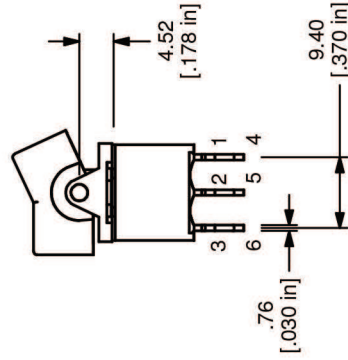
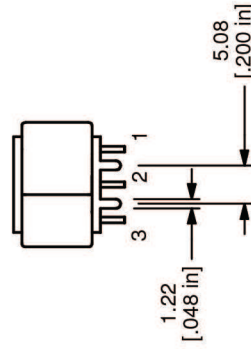
300A SERIES ROCKER SWITCH

PC MOUNT TERMINATION

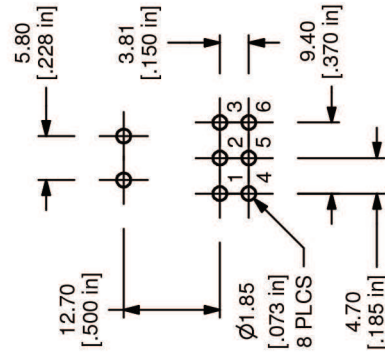


M6 SP PC MOUNTING

M6 TERMINATION - SP



M6 TERMINATION - DP



M6 DP PCB MOUNTING

ANTI-VANDAL SWITCHES

DETECTOR SWITCHES

DIP SWITCHES

KEYLOCK SWITCHES

NAVIGATION SWITCHES

PUSHBUTTON SWITCHES

ROCKER SWITCHES

ROTARY SWITCHES

SLIDE SWITCHES

SNAP ACTION SWITCHES

TACTILE SWITCHES

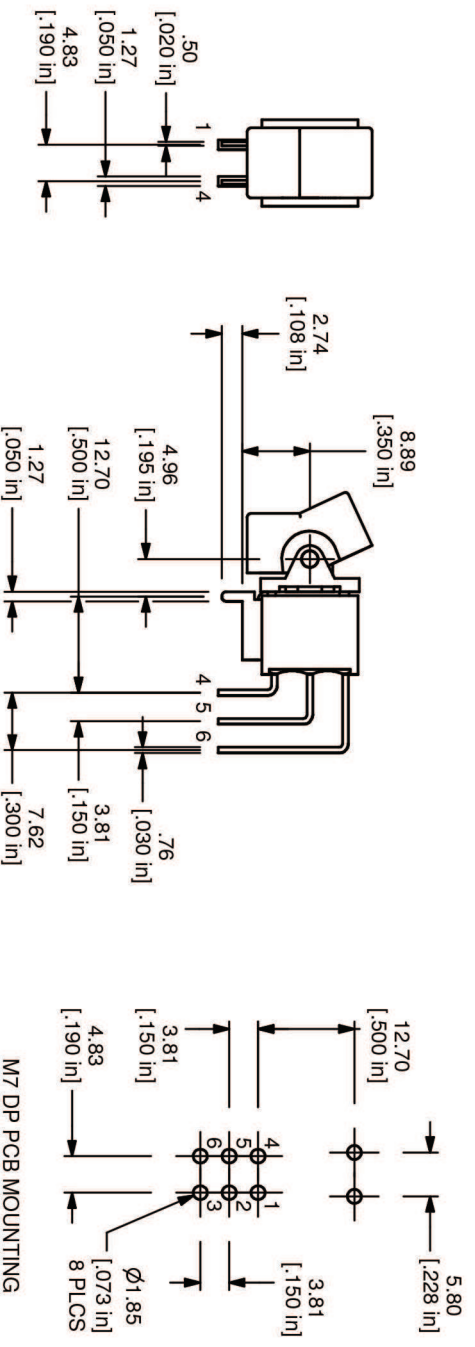
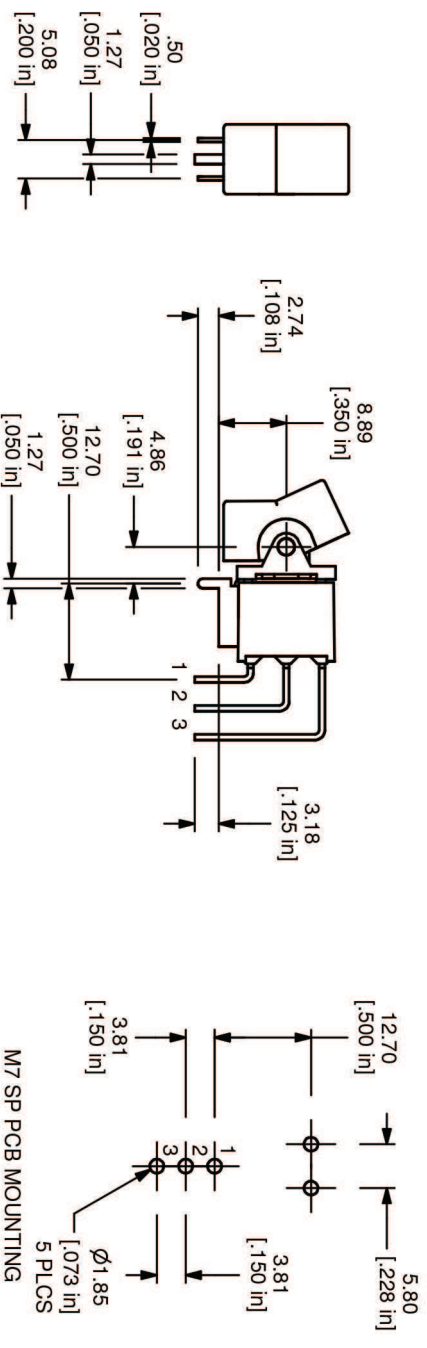
TOGGLE SWITCHES

CAP OPTIONS



300A SERIES ROCKER SWITCH

PC MOUNT TERMINATION



- CAP OPTIONS
- TOGGLE SWITCHES
- TACTILE SWITCHES
- SNAP ACTION SWITCHES
- SLIDE SWITCHES
- ROCKY SWITCHES
- ROCKER SWITCHES
- PUSHBUTTON SWITCHES
- NAVIGATION SWITCHES
- KEYLOCK SWITCHES
- DIP SWITCHES
- DETECTOR SWITCHES
- ANTI-VANDAL SWITCHES



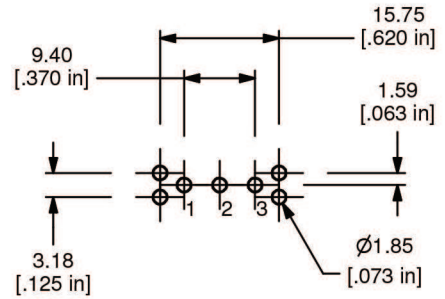
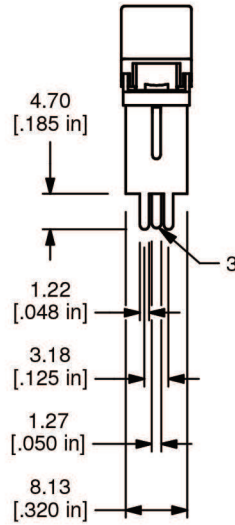
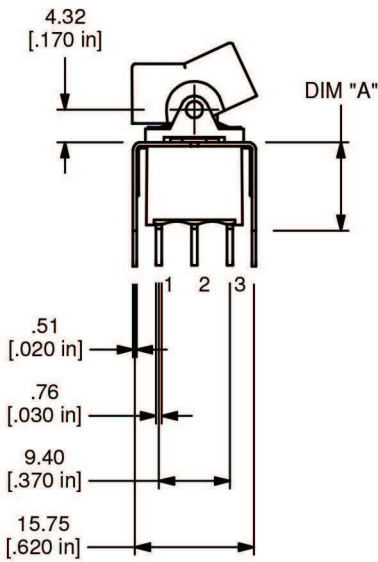
E-SWITCH®

www.e-switch.com

800.867.2717

300A SERIES ROCKER SWITCH

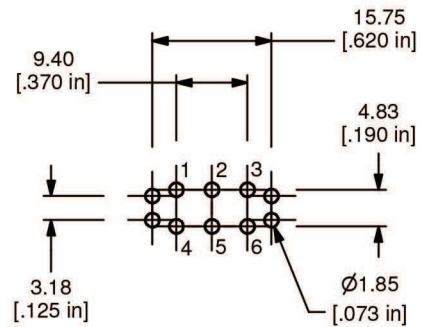
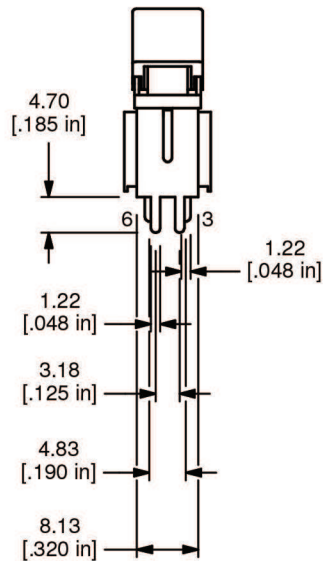
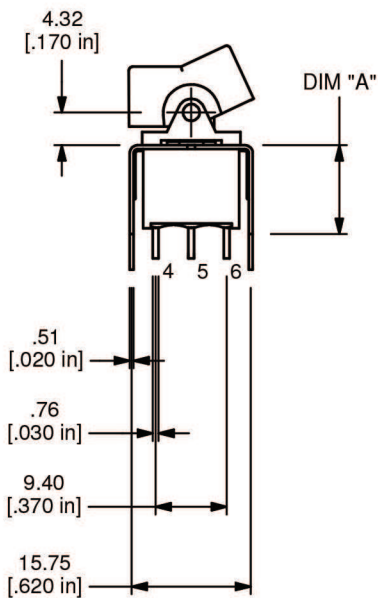
PC MOUNT TERMINATION



VS2-VS3 SP PCB MOUNTING

OPTION	DIM "A"
VS2	11.68 [.460]
VS3	16.00 [.630]

VS2-VS3 TERMINATION - SP



VS2-VS3 DP PCB MOUNTING

OPTION	DIM "A"
VS2	11.68 [.460]
VS3	16.00 [.630]

VS2-VS3 TERMINATION - DP

