



Chipsmall Limited consists of a professional team with an average of over 10 year of expertise in the distribution of electronic components. Based in Hongkong, we have already established firm and mutual-benefit business relationships with customers from,Europe,America and south Asia,supplying obsolete and hard-to-find components to meet their specific needs.

With the principle of “Quality Parts,Customers Priority,Honest Operation,and Considerate Service”,our business mainly focus on the distribution of electronic components. Line cards we deal with include Microchip,ALPS,ROHM,Xilinx,Pulse,ON,Everlight and Freescale. Main products comprise IC,Modules,Potentiometer,IC Socket,Relay,Connector.Our parts cover such applications as commercial,industrial, and automotives areas.

We are looking forward to setting up business relationship with you and hope to provide you with the best service and solution. Let us make a better world for our industry!



## Contact us

Tel: +86-755-8981 8866 Fax: +86-755-8427 6832

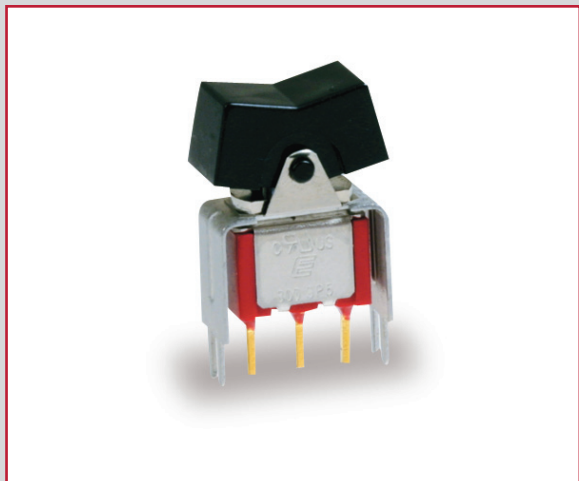
Email & Skype: info@chipsmall.com Web: www.chipsmall.com

Address: A1208, Overseas Decoration Building, #122 Zhenhua RD., Futian, Shenzhen, China

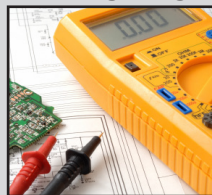


# 300 SERIES ROCKER SWITCH

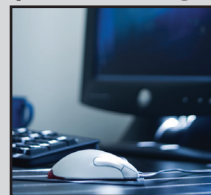
ANTI-VANDAL SWITCHES  
 DETECTOR SWITCHES  
 DIP SWITCHES  
 KEYLOCK SWITCHES  
 NAVIGATION SWITCHES  
 PUSHBUTTON SWITCHES  
**ROCKER SWITCHES**  
 ROTARY SWITCHES  
 SLIDE SWITCHES  
 SNAP ACTION SWITCHES  
 TACTILE SWITCHES  
 TOGGLE SWITCHES  
 CAP OPTIONS



## APPLICATIONS / MARKETS



Testing Equipment



Computer Peripherals



Consumer Electronics



Telecommunication



Instrumentation



Medical Equipment

# RoHS

## SPECIFICATIONS

### Contact Rating:

Silver: 5A @ 120VAC or 28 VDC  
 2A @ 250VAC

Gold: 0.4VA @ 20V Max (AC or DC)

**Life Expectancy:** 40,000 make or break cycles at full load

**Contact Resistance:** 10mΩ max. initial @ 2-4VDC,  
 100mA for both silver and gold plated contacts

**Insulation Resistance:** 1,000MΩ min.

**Dielectric Strength:** 1,000 V RMS @ sea level

**Operating Temperature:** -30°C to 85°C

## FEATURES & BENEFITS

- Multiple rocker & paddle options
- Up to 4 poles
- Multiple termination options
- Snap-in panel mount option available

## PART NUMBER CONFIGURATOR

| Series | Model No.  | Acuator  | Actuator Color**  | Termination  | Contact Material       | Seal                                 | Frame Color  |
|--------|--|--|---|--|------------------------|--------------------------------------|--|
| 300    | SP1<br>SP2<br>SP3<br>SP4<br>SP5<br>DP1<br>DP2<br>DP3<br>DP4<br>DP5<br>DP6<br>DP7<br>DP8<br>3P1<br>3P2<br>3P3<br>3P4<br>3P5<br>4P1<br>4P2<br>4P3<br>4P4<br>4P5<br>4P6 | <u>Panel Mount</u><br>R1<br>R2<br>R3<br>R4<br>R6*<br>R7*<br>R8*<br>R9*<br>R11<br>R16<br><br>*Snap-in<br>Panel Mount<br><br><u>PC Mount</u><br>J1<br>J2<br>J3<br>J4<br>J5<br>J6 | <u>Panel Mount</u><br>BLK - Black<br>WHT - White<br>RED - Red<br>YEL - Yellow<br>GRY - Gray<br><br><u>PC Mount</u><br>BLK - Black<br>WHT - White<br>RED - Red<br>YEL - Yellow<br>GRY - Gray | <u>Panel Mount</u><br>M1<br>M3<br>M51<br>M52<br>M53<br>M54<br><br><u>PC Mount</u><br>M2<br>M6<br>M7<br>VS2<br>VS3<br>VS4<br>VS5<br>M61<br>VS21 | Q - Silver<br>R - Gold | E - Epoxy sealed at base of terminal | (R6, R7 Only)<br>BLK - Black<br>WHT - White<br>RED - Red<br>YEL - Yellow<br>GRY - Gray |

Specifications subject to change without notice



**E-SWITCH®**

www.e-switch.com

800.867.2717

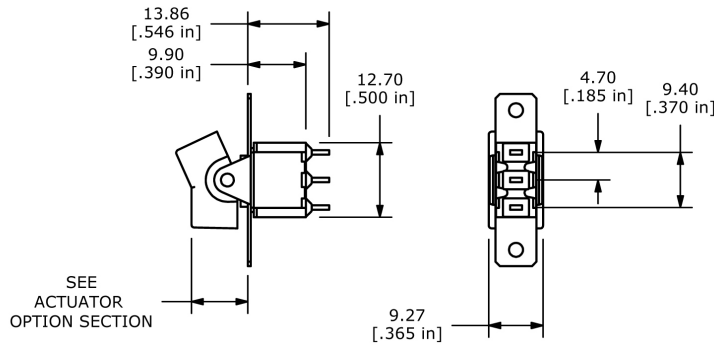
2

# 300 SERIES ROCKER SWITCH

## Switch Functions

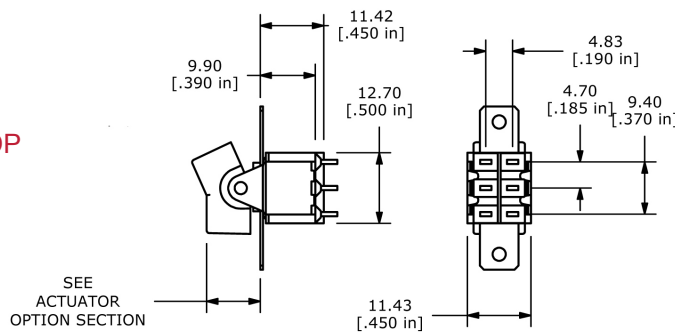
( ) = momentary

### Single Pole - SP



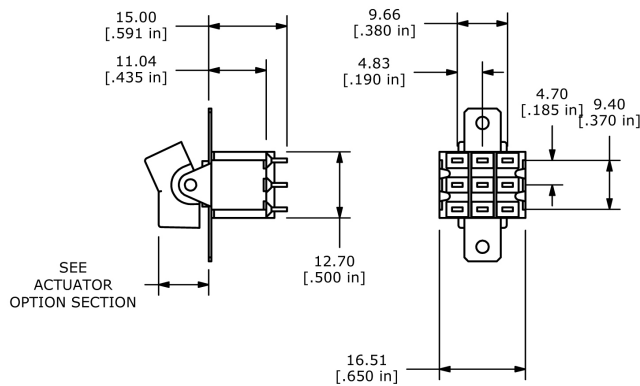
| MODEL NO.   | POS. 1 | POS. 2 | POS. 3 |
|-------------|--------|--------|--------|
| SP1         | ON     | NONE   | ON     |
| SP2         | ON     | NONE   | (ON)   |
| SP3         | ON     | OFF    | ON     |
| SP4         | (ON)   | OFF    | (ON)   |
| SP5         | ON     | OFF    | (ON)   |
| Term. Comm. | 2-3    | OPEN   | 2-1    |

### Double Pole - DP



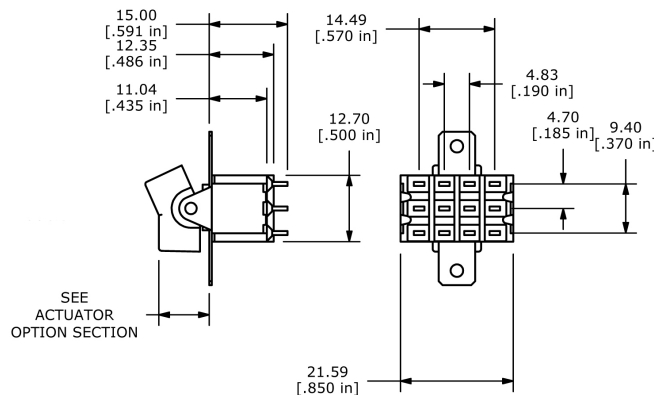
| MODEL NO.   | POS. 1   | POS. 2   | POS. 3   |
|-------------|----------|----------|----------|
| DP1         | ON       | NONE     | ON       |
| DP2         | ON       | NONE     | (ON)     |
| DP3         | ON       | OFF      | ON       |
| DP4         | (ON)     | OFF      | (ON)     |
| DP5         | ON       | OFF      | (ON)     |
| DP7         | ON       | ON       | (ON)     |
| DP8         | (ON)     | ON       | (ON)     |
| Term. Comm. | 2-3, 5-6 | OPEN     | 2-1, 5-4 |
| Term. Comm. | 2-3, 5-6 | 2-3, 5-4 | 2-1, 5-4 |

### Triple Pole - 3P



| MODEL NO.   | POS. 1        | POS. 2 | POS. 3        |
|-------------|---------------|--------|---------------|
| 3P1         | ON            | NONE   | ON            |
| 3P2         | ON            | NONE   | (ON)          |
| 3P3         | ON            | OFF    | ON            |
| 3P4         | (ON)          | OFF    | (ON)          |
| 3P5         | ON            | OFF    | (ON)          |
| Term. Comm. | 2-3, 5-6, 8-9 | OPEN   | 2-1, 5-4, 8-7 |

### Four Pole - 4P



| MODEL NO.   | POS. 1               | POS. 2               | POS. 3               |
|-------------|----------------------|----------------------|----------------------|
| 4P1         | ON                   | NONE                 | ON                   |
| 4P2         | ON                   | NONE                 | (ON)                 |
| 4P3         | ON                   | OFF                  | ON                   |
| 4P4         | (ON)                 | OFF                  | (ON)                 |
| 4P5         | ON                   | OFF                  | (ON)                 |
| Term. Comm. | 2-3, 5-6, 8-9, 11-12 | OPEN                 | 2-1, 5-4, 8-7, 11-10 |
| 4P6         | ON                   | ON                   | ON                   |
| Term. Comm. | 2-3, 5-6, 8-9, 11-12 | 2-3, 5-4, 8-9, 11-10 | 2-1, 5-4, 8-7, 11-10 |

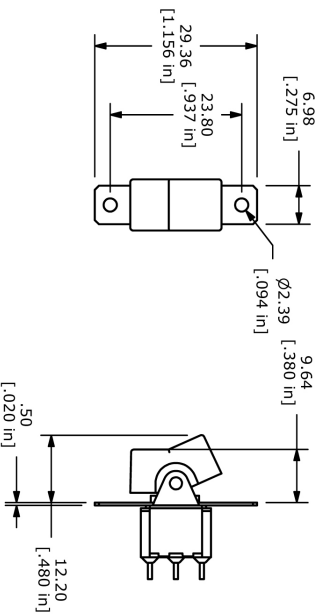


ANTI-VANDAL SWITCHES  
DETECTOR SWITCHES  
DIP SWITCHES  
KEYLOCK SWITCHES  
NAVIGATION SWITCHES  
PUSHBUTTON SWITCHES  
ROCKER SWITCHES  
ROTARY SWITCHES  
SLIDE SWITCHES  
SNAP ACTION SWITCHES  
TACTILE SWITCHES  
TOGGLE SWITCHES  
CAP OPTIONS

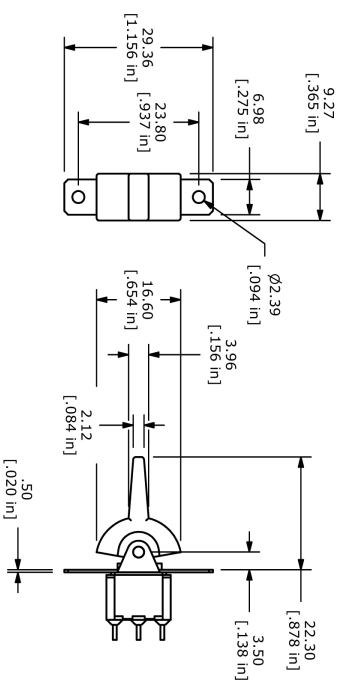
# 300 SERIES ROCKER SWITCH

## Panel Mount Actuator

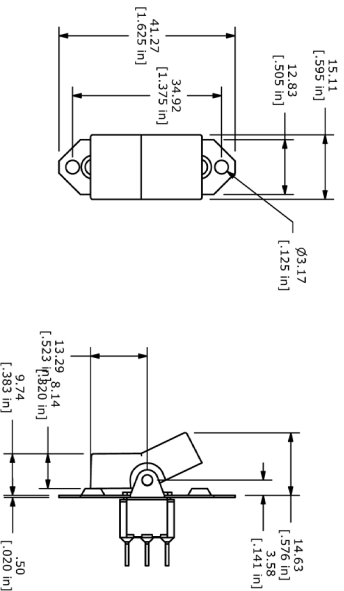
R1 Actuator



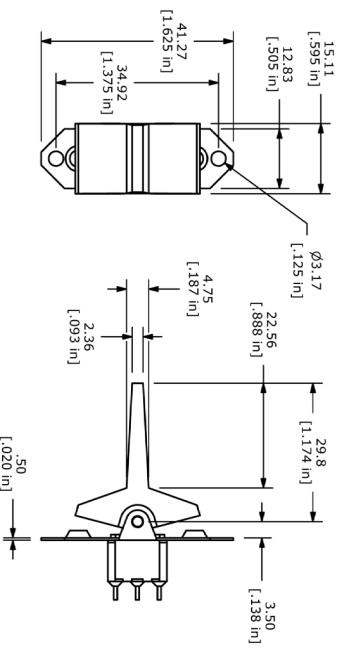
R2 Actuator



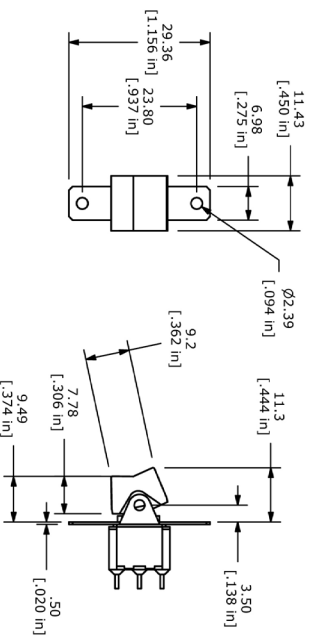
R3 Actuator



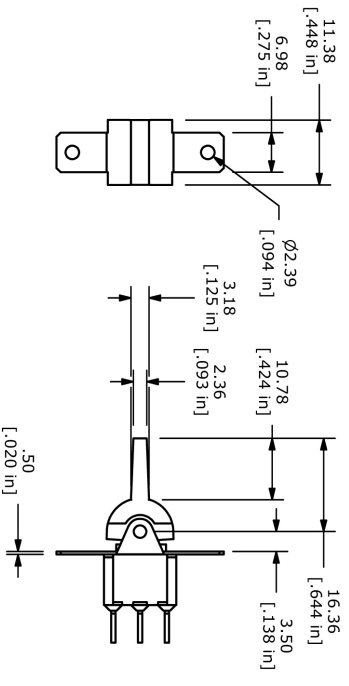
R4 Actuator



R11 Actuator

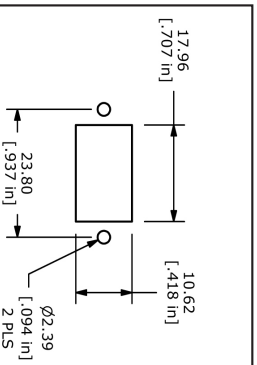


R16 Actuator

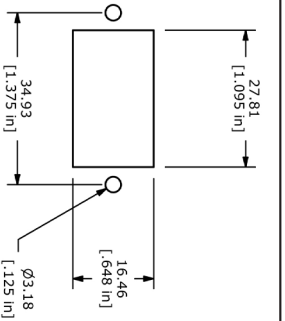


- CAP OPTIONS
- TOGGLE SWITCHES
- TACTILE SWITCHES
- SNAP SWITCHES
- SLIDE SWITCHES
- ROTARY SWITCHES
- ROCKER SWITCHES**
- PUSHBUTTON SWITCHES
- NAVIGATION SWITCHES
- KEYLOCK SWITCHES
- DIP SWITCHES
- DETECTOR SWITCHES
- ANTI-VANDAL SWITCHES

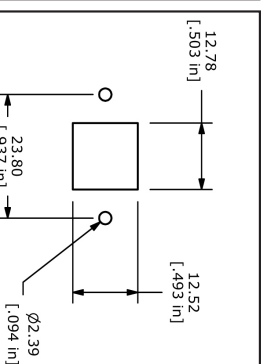
R1 & R2 MOUNTING



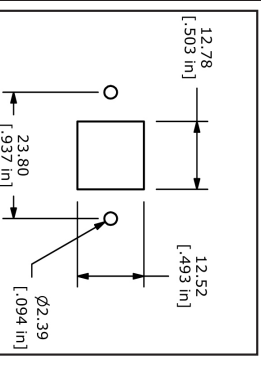
R3 & R4 MOUNTING



R11 MOUNTING



R16 MOUNTING



E-SWITCH®

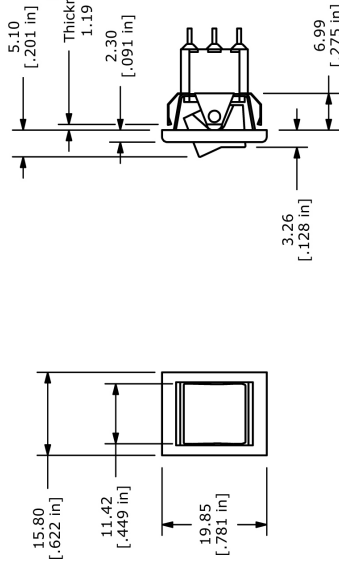
www.e-switch.com

800.867.2717

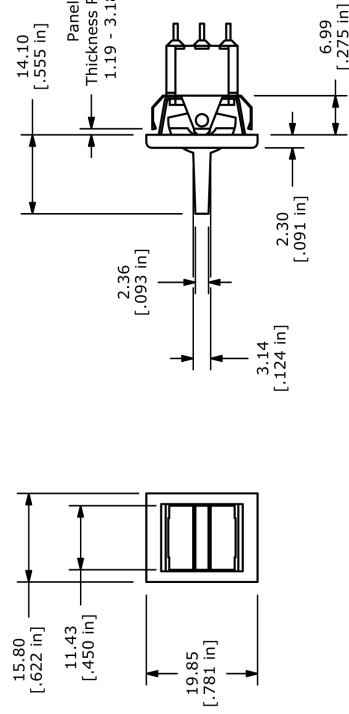
# 300 SERIES ROCKER SWITCH

## Snap-in Panel Mount Actuator

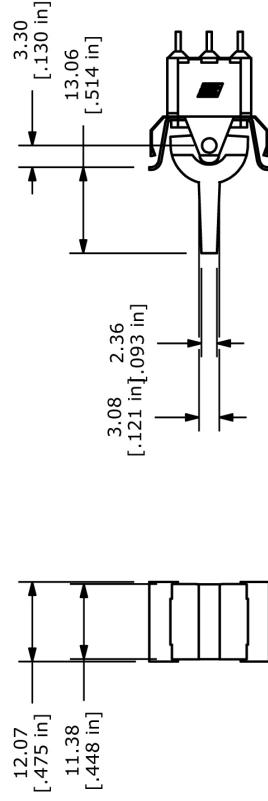
R6 Actuator



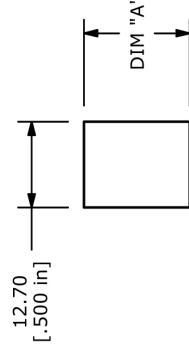
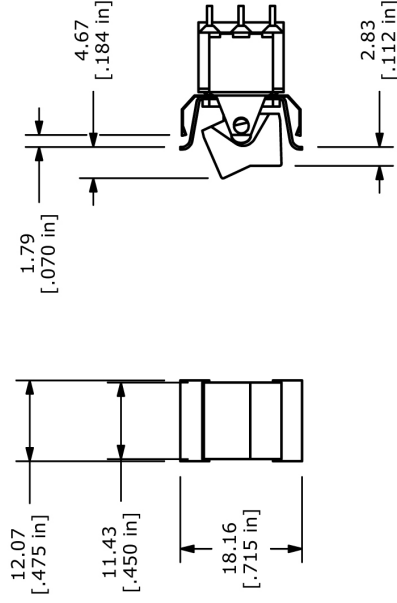
R7 Actuator



R8 Actuator



R9 Actuator



| ACTUATOR OPTION | PANEL THICKNESS       | DIM "A"      |
|-----------------|-----------------------|--------------|
| R6 or R7        | 1.19-1.51 [.047-.060] | 15.70 [.619] |
| R6 or R7        | 1.52-3.18 [.061-.125] | 15.85 [.624] |
| R8 or R9        | 1.19-2.29 [.047-.090] | 15.70 [.619] |
| R8 or R9        | 2.30-3.18 [.091-.125] | 15.85 [.624] |

ANTI-VANDAL SWITCHES

DETECTOR SWITCHES

DIP SWITCHES

KEYLOCK SWITCHES

NAVIGATION SWITCHES

PUSHBUTTON SWITCHES

**ROCKER SWITCHES**

ROTARY SWITCHES

SLIDE SWITCHES

SNAP ACTION SWITCHES

TACTILE SWITCHES

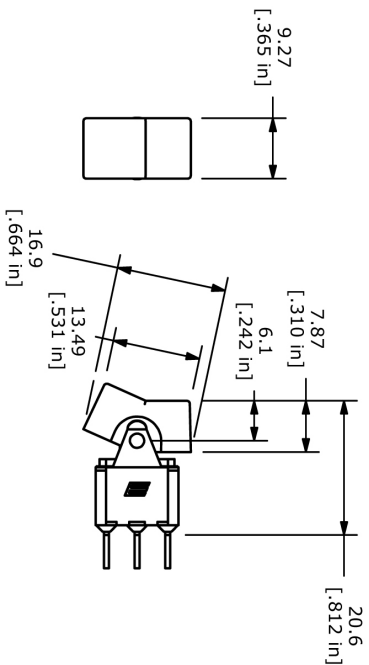
TOGGLE SWITCHES

CAP OPTIONS

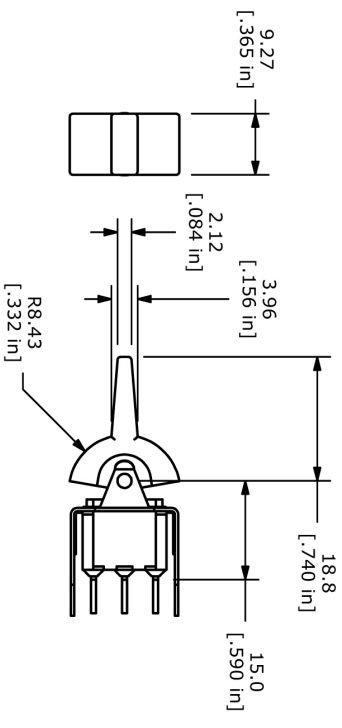


## PC Mount Actuator

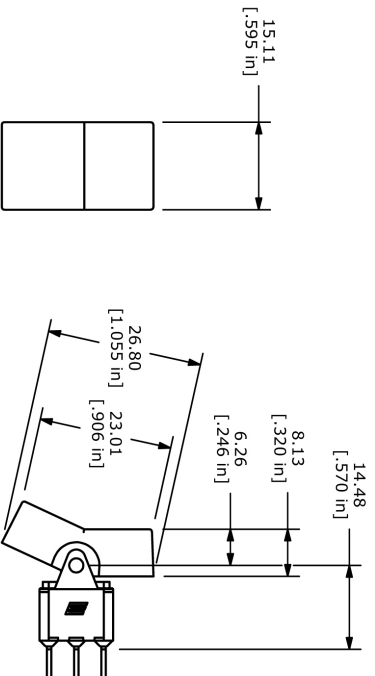
J1 Actuator



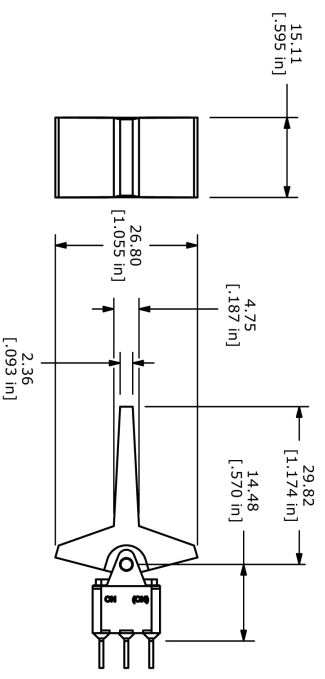
J2 Actuator



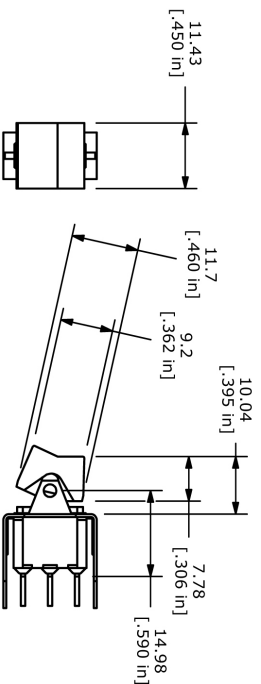
J3 Actuator



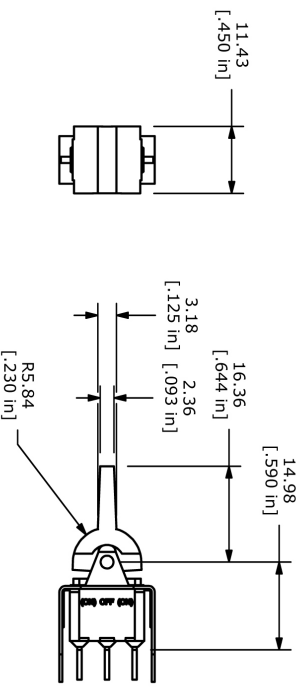
J4 Actuator



J5 Actuator



J6 Actuator



CAP  
OPTIONS

TOGGLE  
SWITCHES

TACTILE  
SWITCHES

SNAP ACTION  
SWITCHES

SLIDE  
SWITCHES

ROTARY  
SWITCHES

ROCKER  
SWITCHES

PUSHBUTTON  
SWITCHES

NAVIGATION  
SWITCHES

KEYLOCK  
SWITCHES

DIP  
SWITCHES

DETECTOR  
SWITCHES

ANTI-VANDAL  
SWITCHES



E-SWITCH®

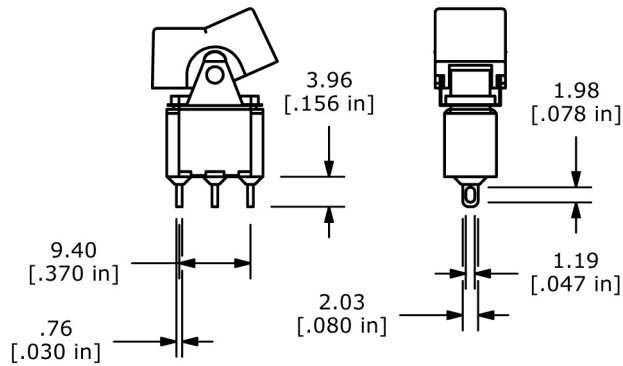
www.e-switch.com

800.867.2717

# 300 SERIES ROCKER SWITCH

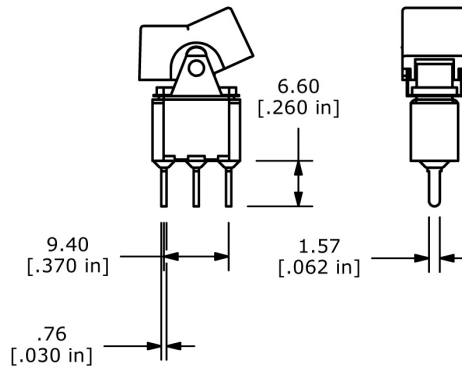
## Panel Mount Termination

### M1 Termination

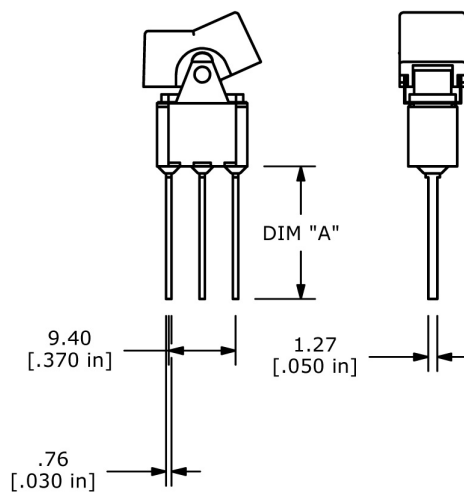


See Switch Function details (page 3) for complete terminal spacing dimensions for DP, 3P, and 4P switch models.

### M3 Termination



### M5 Termination



| OPTION | DIM "A"          |
|--------|------------------|
| M51    | 18.70<br>[.736]  |
| M52    | 24.20<br>[.953]  |
| M53    | 10.55<br>[.415]  |
| M54    | 26.97<br>[1.062] |

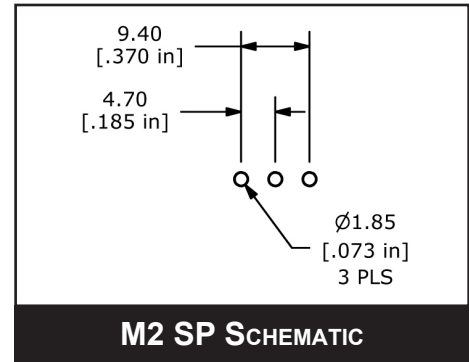
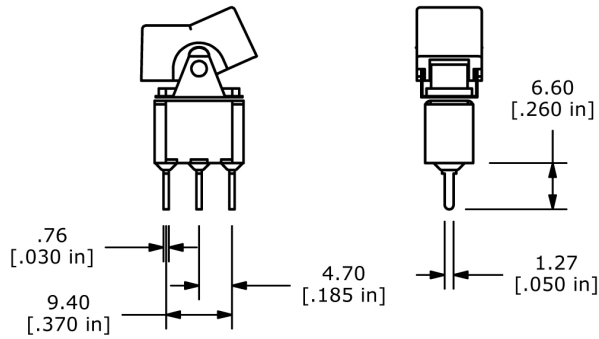


# 300 SERIES ROCKER SWITCH

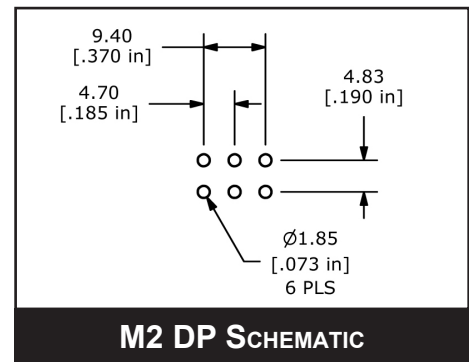
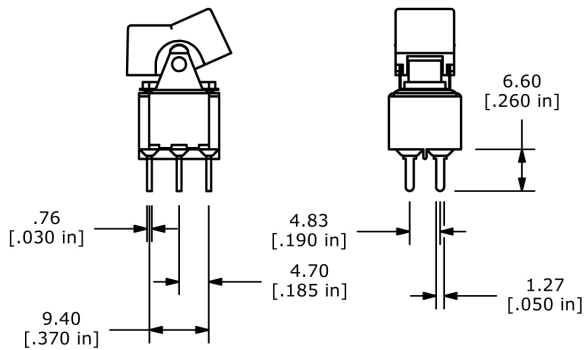
## PC Mount M2 Termination

- ANTI-VANDAL SWITCHES
- DETECTOR SWITCHES
- DIP SWITCHES
- KEYLOCK SWITCHES
- NAVIGATION SWITCHES
- PUSHBUTTON SWITCHES
- ROCKER SWITCHES**
- ROTARY SWITCHES
- SLIDE SWITCHES
- SNAP ACTION SWITCHES
- TACTILE SWITCHES
- TOGGLE SWITCHES
- CAP OPTIONS

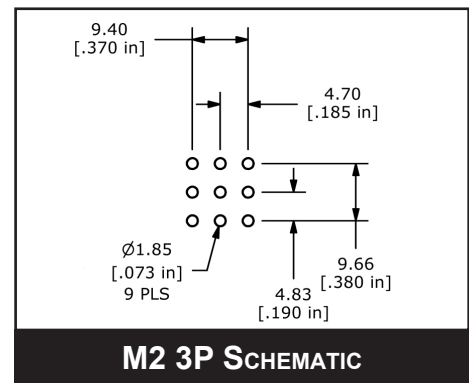
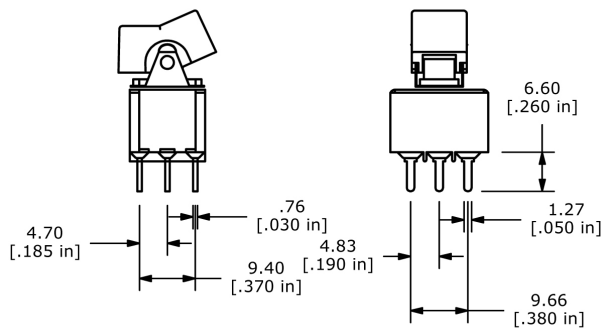
M2 Termination - SP



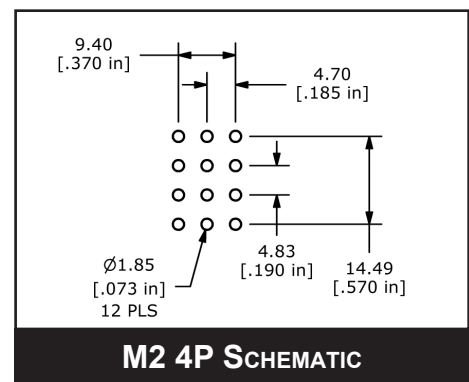
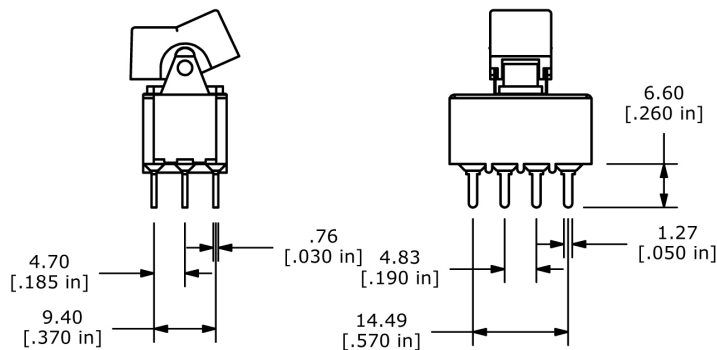
M2 Termination - DP



M2 Termination - 3P



M2 Termination - 4P

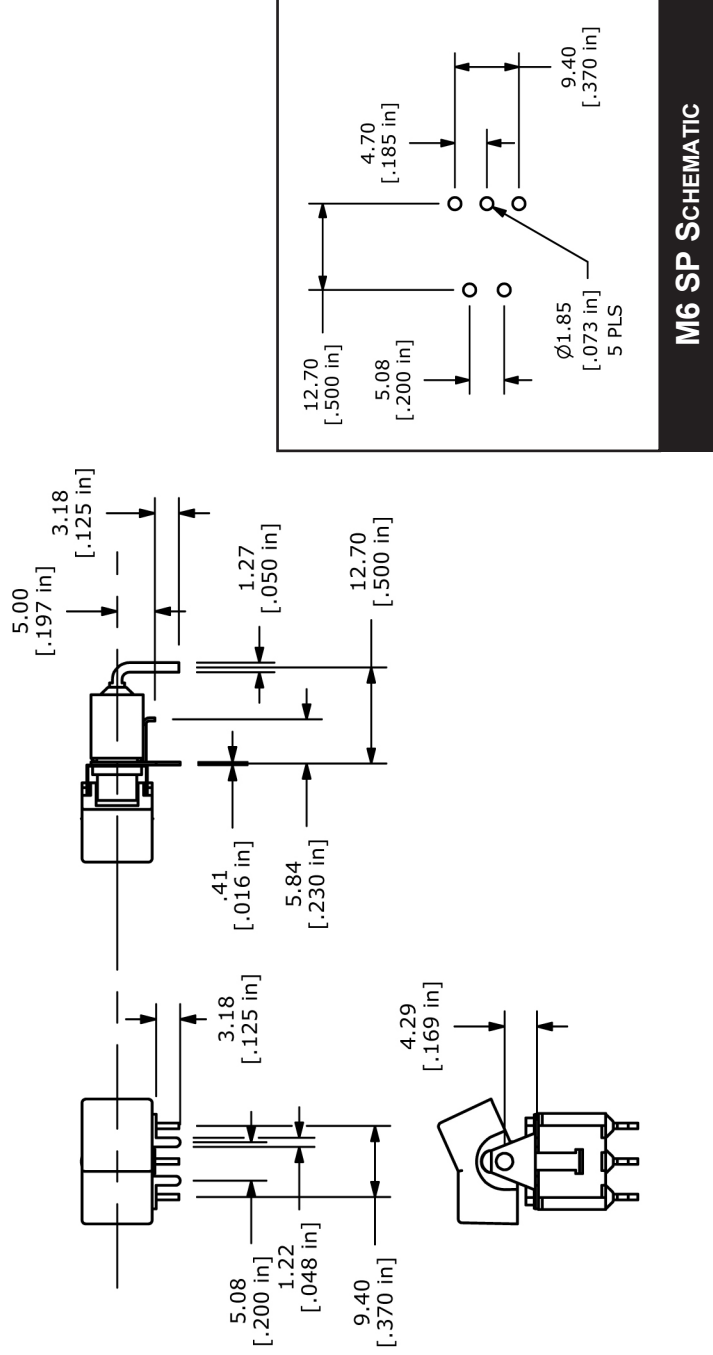




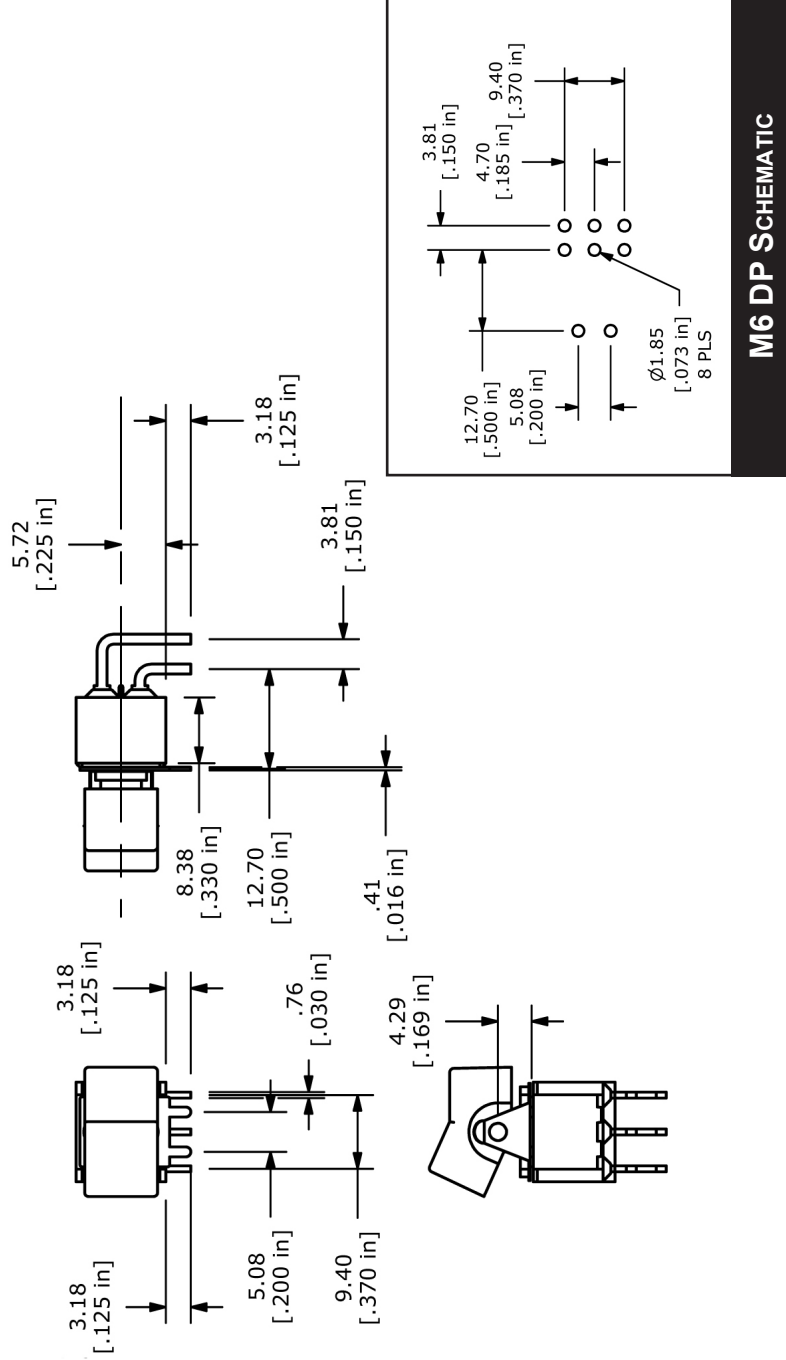
# 300 SERIES ROCKER SWITCH

## PC Mount M6 Termination

M6 Termination - SP



M6 Termination - DP



ANTI-VANDAL SWITCHES

DETECTOR SWITCHES

DIP SWITCHES

TOGGLE SWITCHES

NAVIGATION SWITCHES

PUSHBUTTON SWITCHES

ROCKER SWITCHES

ROTARY SWITCHES

SLIDE SWITCHES

SNAP ACTION SWITCHES

TACTILE SWITCHES

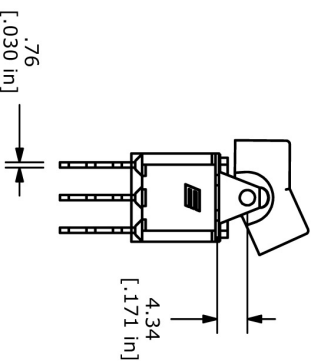
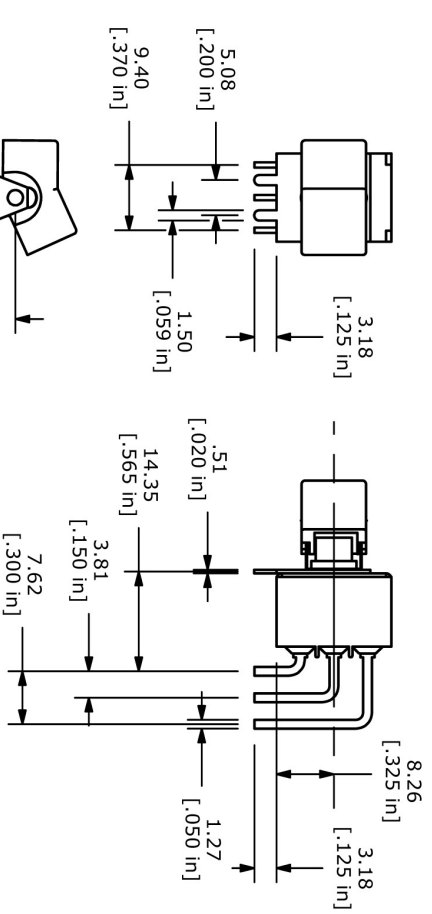
TOGGLE SWITCHES

CAP OPTIONS

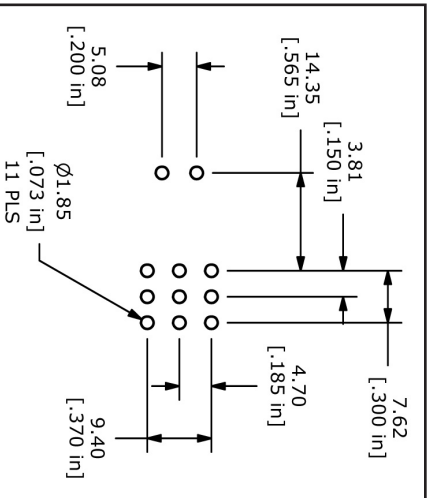


## PC Mount M6 Termination

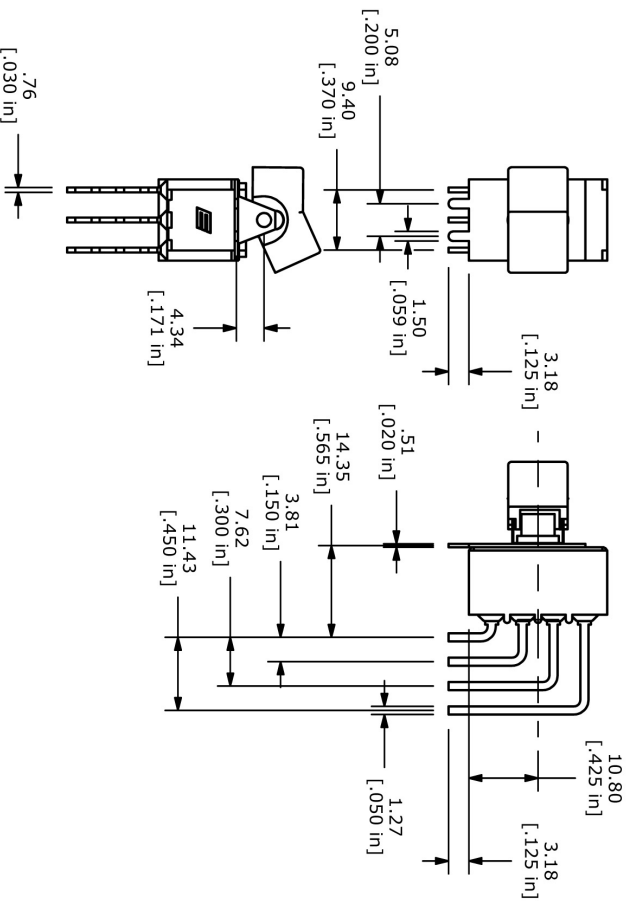
M6 Termination - 3P



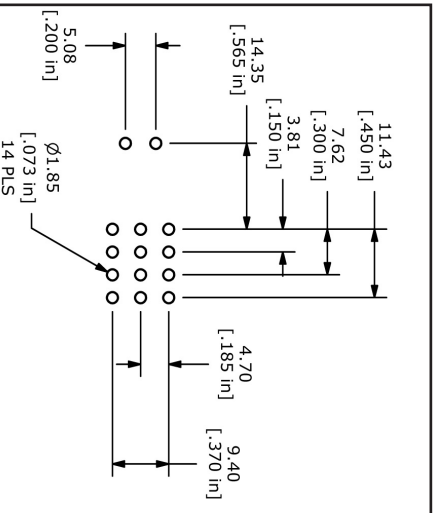
M6 3P SCHEMATIC



M6 Termination - 4P



M6 4P SCHEMATIC



CAP  
OPTIONS

TOGGLE  
SWITCHES

TACTILE  
SWITCHES

SNAP  
SWITCHES

SLIDE  
SWITCHES

ROTARY  
SWITCHES

ROCKER  
SWITCHES

PUSHBUTTON  
SWITCHES

NAVIGATION  
SWITCHES

KEYLOCK  
SWITCHES

DIP  
SWITCHES

DETECTOR  
SWITCHES

ANTI-VANDAL  
SWITCHES



E-SWITCH®

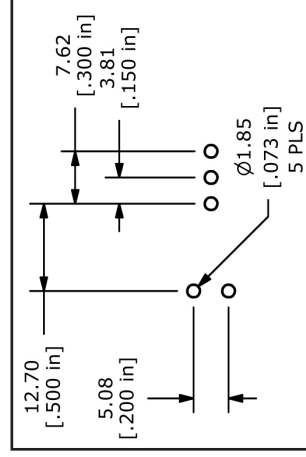
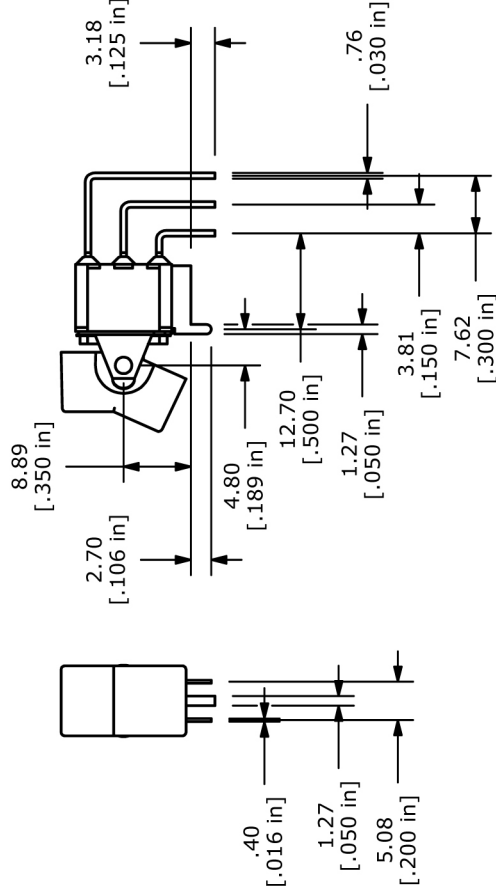
www.e-switch.com

800.867.2717

# 300 SERIES ROCKER SWITCH

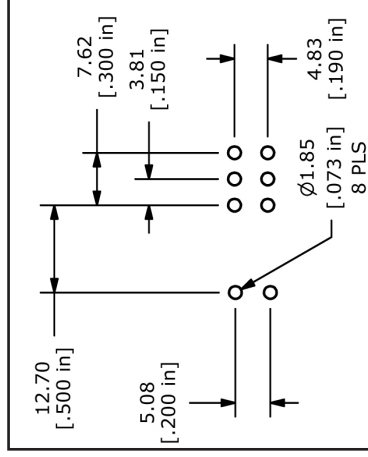
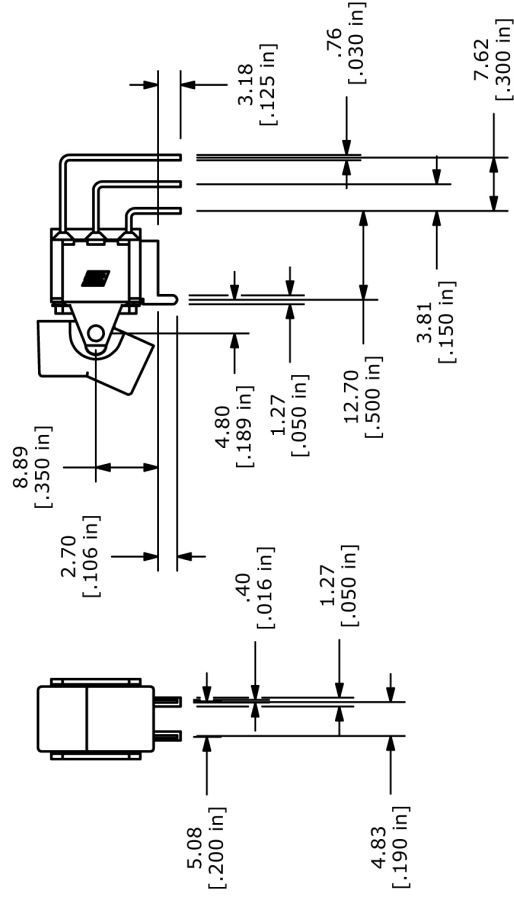
## PC Mount M7 Termination

M7 Termination - SP



M7 SP SCHEMATIC

M7 Termination - DP



M7 DP SCHEMATIC

ANTI-VANDAL SWITCHES

DETECTOR SWITCHES

DIP SWITCHES

KEYLOCK SWITCHES

NAVIGATION SWITCHES

PUSHBUTTON SWITCHES

ROCKER SWITCHES

ROTARY SWITCHES

SLIDE SWITCHES

SNAP ACTION SWITCHES

TACTILE SWITCHES

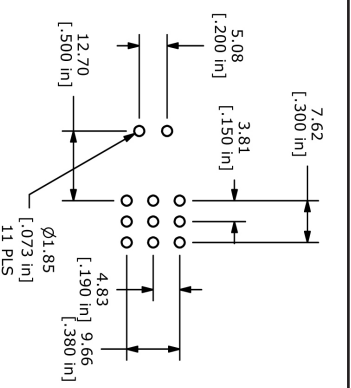
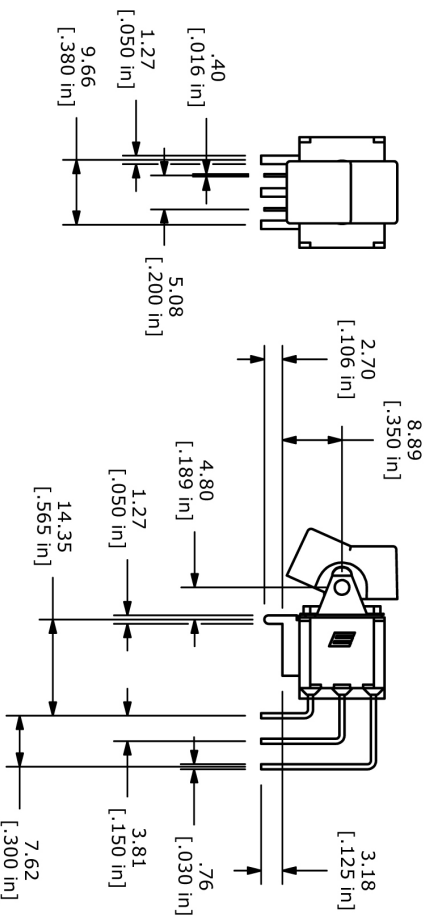
TOGGLE SWITCHES

CAP OPTIONS

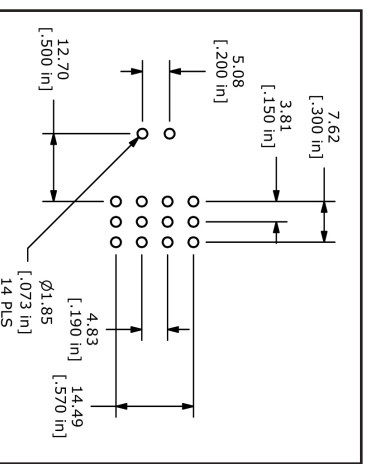
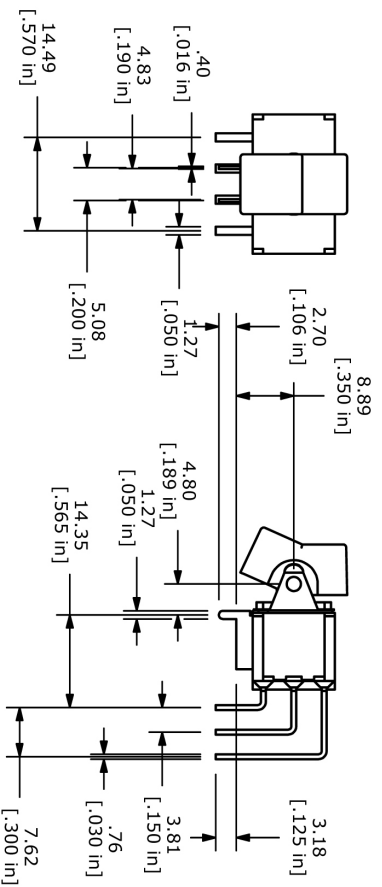


## PC Mount M7 Termination Options

M7 Termination - 3P



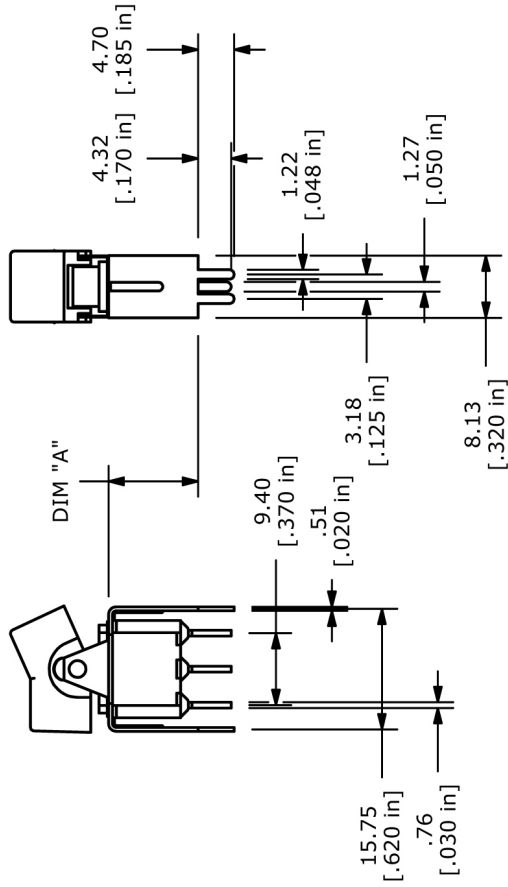
M7 Termination - 4P



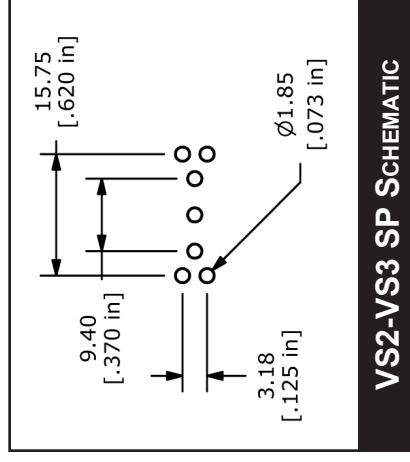
# 300 SERIES ROCKER SWITCH

## PC Mount VS2-VS3 Termination

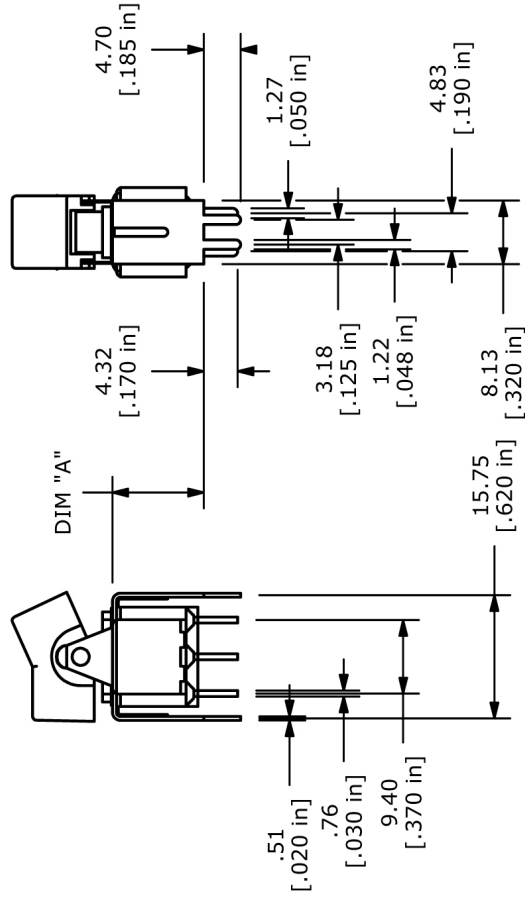
### VS2-VS3 Termination - SP



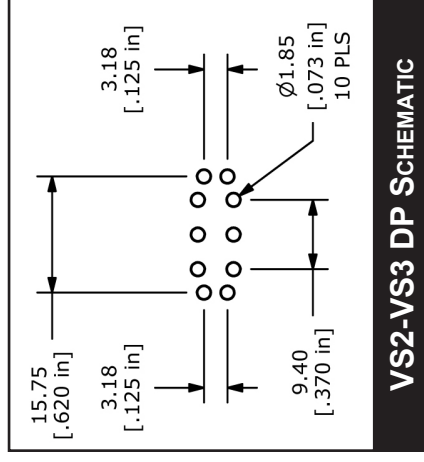
| OPTION | DIM "A"         |
|--------|-----------------|
| VS2    | 11.68<br>[.460] |
| VS3    | 16.00<br>[.630] |



### VS2-VS3 Termination - DP



| OPTION | DIM "A"         |
|--------|-----------------|
| VS2    | 11.68<br>[.460] |
| VS3    | 16.00<br>[.630] |



ANTI-VANDAL SWITCHES

DETECTOR SWITCHES

DIP SWITCHES

KEYLOCK SWITCHES

NAVIGATION SWITCHES

PUSHBUTTON SWITCHES

**ROCKER SWITCHES**

ROTARY SWITCHES

SLIDE SWITCHES

SNAP ACTION SWITCHES

TACTILE SWITCHES

TOGGLE SWITCHES

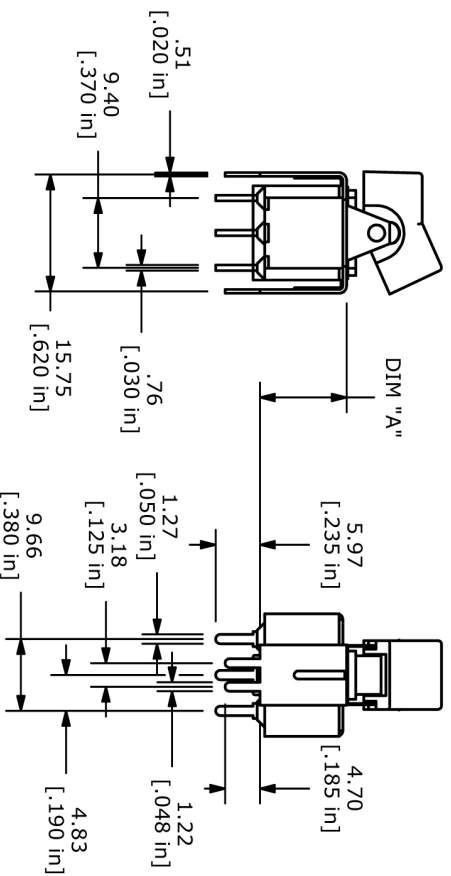
CAP OPTIONS



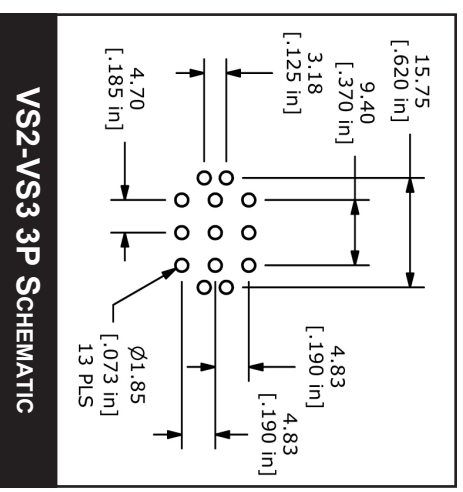
# 300 SERIES ROCKER SWITCH

## PC Mount VS2-VS3 Termination

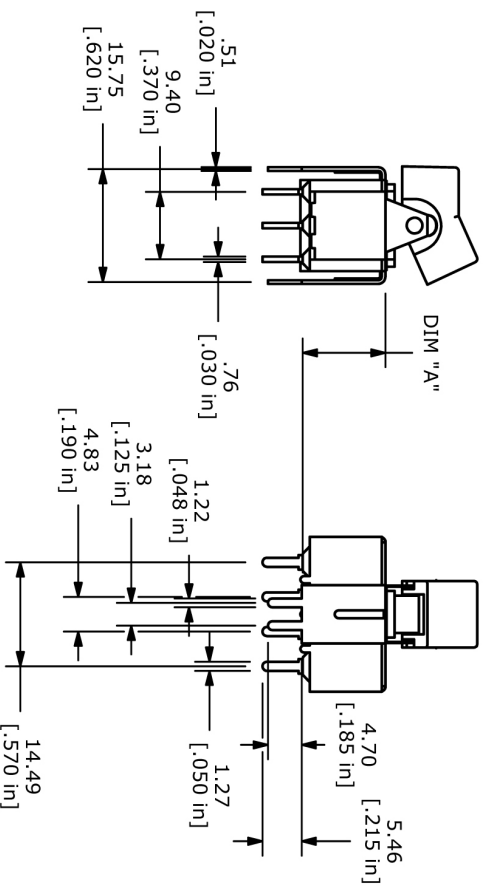
VS2-VS3 Termination - 3P



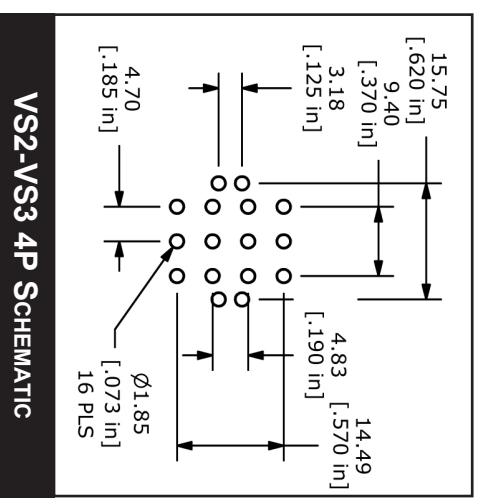
| OPTION | DIM "A"         |
|--------|-----------------|
| VS2    | 11.68<br>[.460] |
| VS3    | 16.00<br>[.630] |



VS2-VS3 Termination - 4P



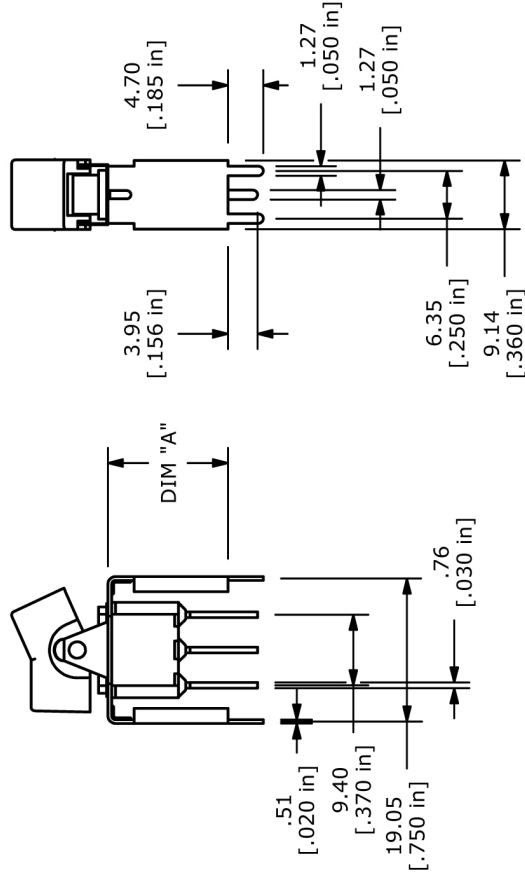
| OPTION | DIM "A"         |
|--------|-----------------|
| VS2    | 11.68<br>[.460] |
| VS3    | 16.00<br>[.630] |



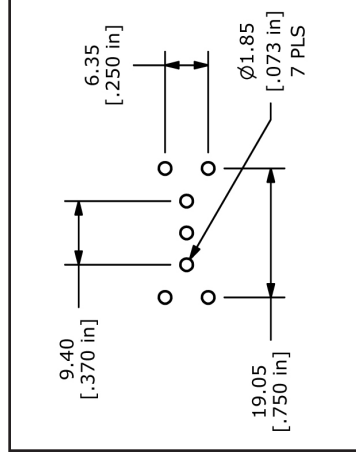
# 300 SERIES ROCKER SWITCH

## PC Mount VS4-VS5 Termination - SP

### VS4-VS5 Termination - SP

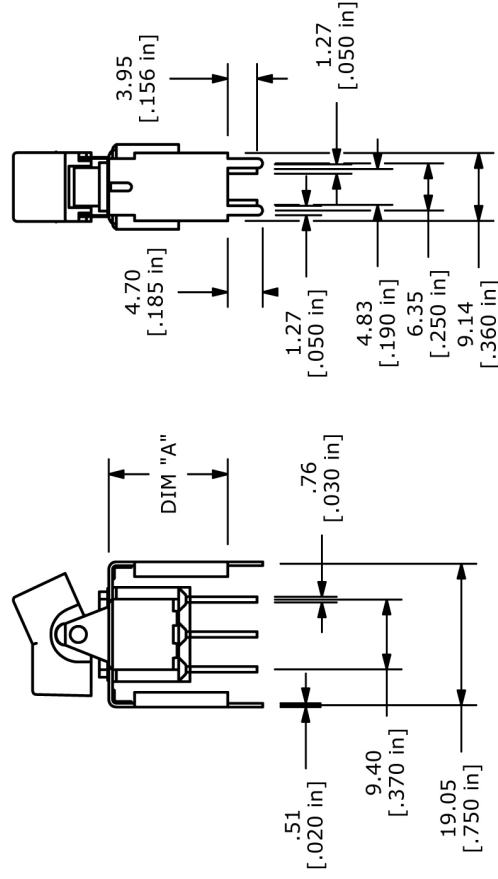


| OPTION | DIM "A"         |
|--------|-----------------|
| VS4    | 11.68<br>[.460] |
| VS5    | 16.00<br>[.630] |

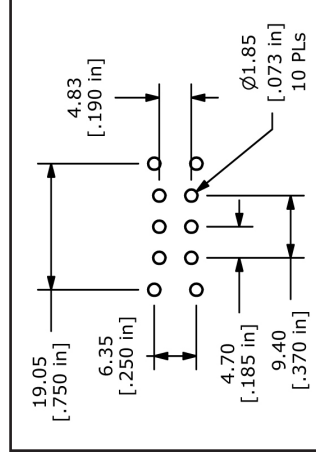


**VS4-VS5 SP SCHEMATIC**

### VS4-VS5 Termination - DP



| OPTION | DIM "A"         |
|--------|-----------------|
| VS4    | 11.68<br>[.460] |
| VS5    | 16.00<br>[.630] |



**VS4-VS5 DP SCHEMATIC**

ANTI-VANDAL SWITCHES

DETECTOR SWITCHES

DIP SWITCHES

KEYLOCK SWITCHES

NAVIGATION SWITCHES

PUSHBUTTON SWITCHES

ROCKER SWITCHES

ROTARY SWITCHES

SLIDE SWITCHES

SNAP ACTION SWITCHES

TACTILE SWITCHES

TOGGLE SWITCHES

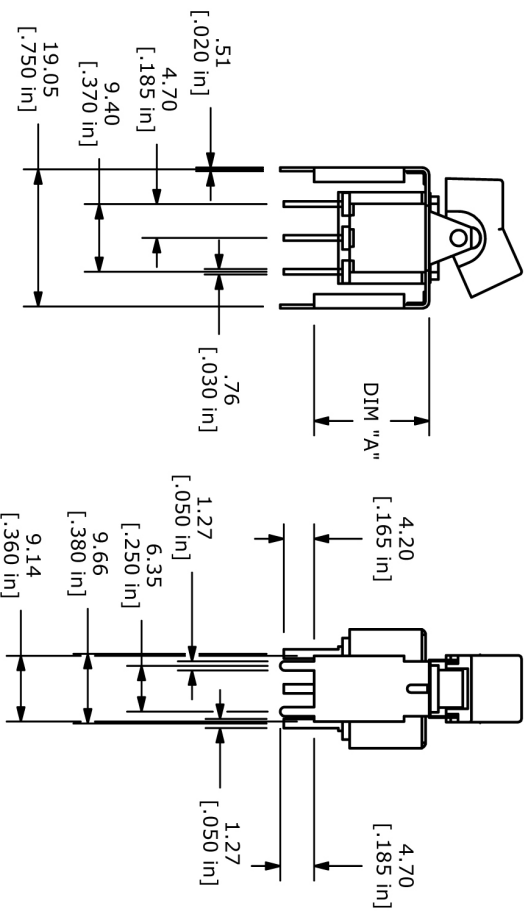
CAP OPTIONS



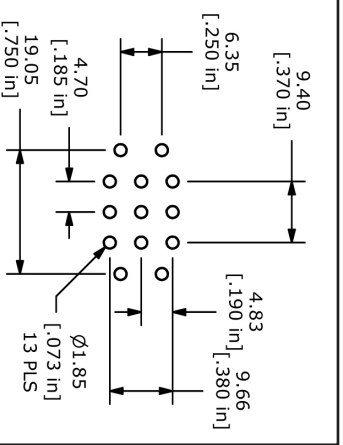
# 300 SERIES ROCKER SWITCH

## PC Mount VS4-VS5 Termination

VS4-VS5 Termination - 3P



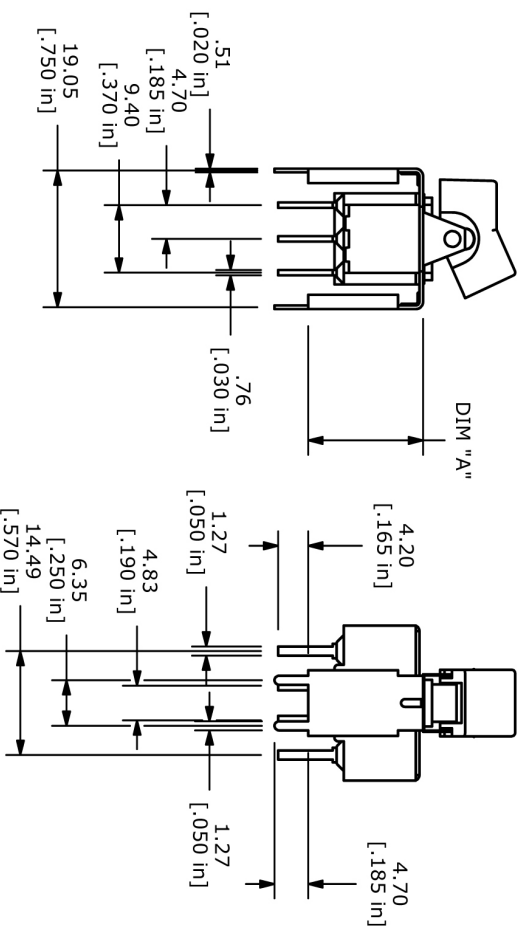
| OPTION | DIM "A"         |
|--------|-----------------|
| VS4    | 11.68<br>[.460] |
| VSS    | 16.00<br>[.630] |



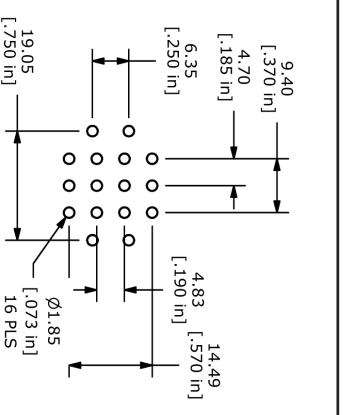
VS4-VS5 3P SCHEMATIC

ROCKER SWITCHES

VS4-VS5 Termination - 4P



| OPTION | DIM "A"         |
|--------|-----------------|
| VS4    | 11.68<br>[.460] |
| VSS    | 16.00<br>[.630] |



VS4-VS5 4P SCHEMATIC

ANTI-VANDAL SWITCHES

DETECTOR SWITCHES

DIP SWITCHES

KEYLOCK SWITCHES

NAVIGATION SWITCHES

PUSHBUTTON SWITCHES

ROCKER SWITCHES

ROTARY SWITCHES

SLIDE SWITCHES

SNAP ACTION SWITCHES

TACTILE SWITCHES

TOGGLE SWITCHES

CAP OPTIONS



E-SWITCH®

www.e-switch.com

800.867.2717