



Chipsmall Limited consists of a professional team with an average of over 10 year of expertise in the distribution of electronic components. Based in Hongkong, we have already established firm and mutual-benefit business relationships with customers from,Europe,America and south Asia,supplying obsolete and hard-to-find components to meet their specific needs.

With the principle of “Quality Parts,Customers Priority,Honest Operation,and Considerate Service”,our business mainly focus on the distribution of electronic components. Line cards we deal with include Microchip,ALPS,ROHM,Xilinx,Pulse,ON,Everlight and Freescale. Main products comprise IC,Modules,Potentiometer,IC Socket,Relay,Connector.Our parts cover such applications as commercial,industrial, and automotives areas.

We are looking forward to setting up business relationship with you and hope to provide you with the best service and solution. Let us make a better world for our industry!



Contact us

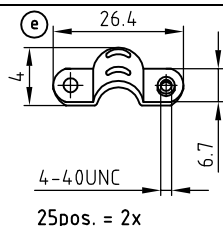
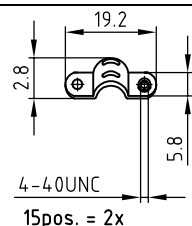
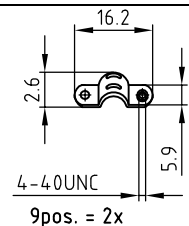
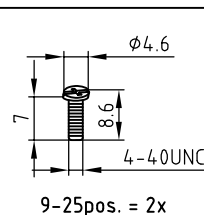
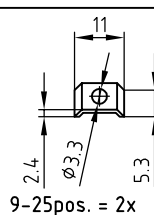
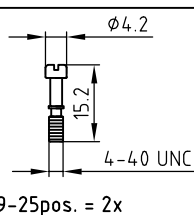
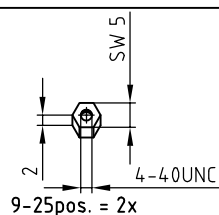
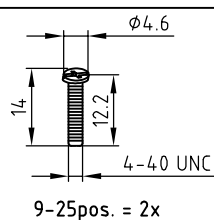
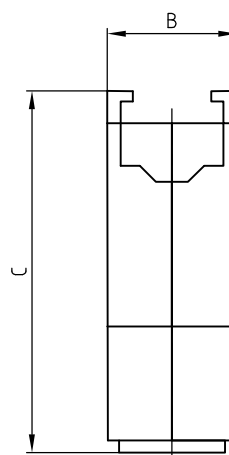
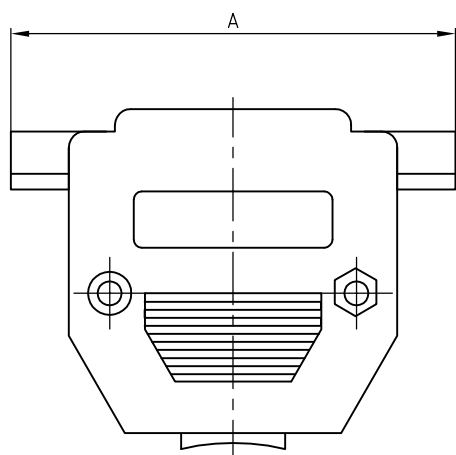
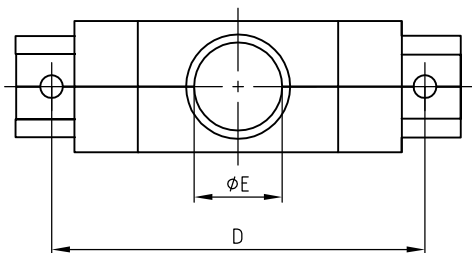
Tel: +86-755-8981 8866 Fax: +86-755-8427 6832

Email & Skype: info@chipsmall.com Web: www.chipsmall.com

Address: A1208, Overseas Decoration Building, #122 Zhenhua RD., Futian, Shenzhen, China



used for: D-SUB



POS.	A	B	C	D	E	Colour	Part-No.
9	30.5	16	41	25	7	grey	300X10169X
						metallized	300X10109X
15	40	16.2	37.4	33.3	9.9	grey	300X10179X
						metallized	300X10119X
25	55	16.5	44.5	47	10.7	grey	300X10209X
						metallized	300X10149X

RoHS compliant

THIS DRAWING MAY NOT BE COPIED OR REPRODUCED IN ANY WAY, AND MAY NOT BE PASSED ON TO A THIRD PARTY, WITHOUT WRITTEN PERMISSION. OWNERSHIP AND COPYRIGHT OF CONEC GmbH DO NOT ALTER CAD DRAWING BY HAND

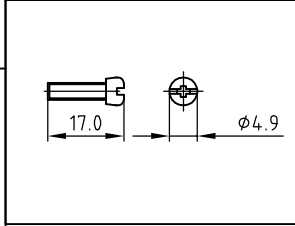
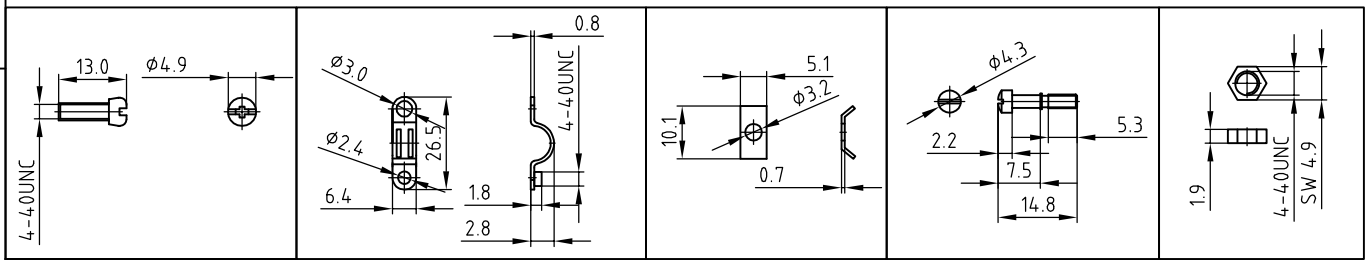
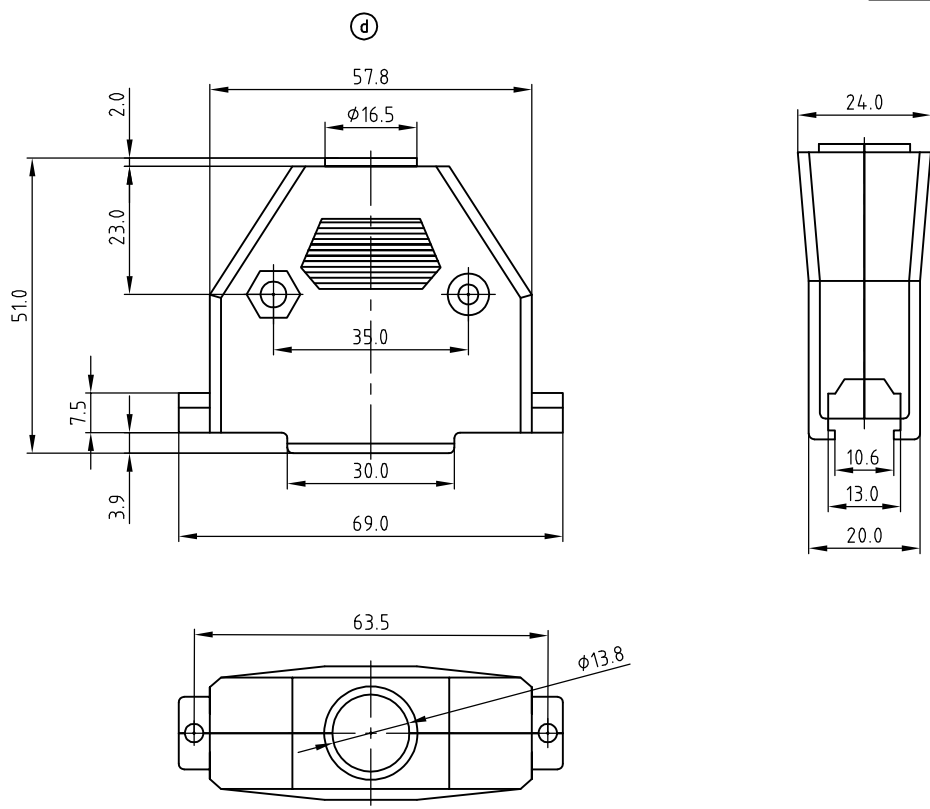
rev.	description	date	name
1 x e	Ä6582	15.03.2017	Lehmen
2 x d	Ä 6248	05.08.2016	Unkr.
1 x c	Ä 2309	07.09.2005	Lehmen
2 x b	Ä 2298	19.08.2005	Lehmen

1995	date	name
drawn	30.60.	Barcinski
appd.	30.06.	Mickenbecker

1995	date	name
drawn	30.60.	Barcinski
appd.	30.06.	Mickenbecker

tolerance	XX ±0.30	dim. in mm
	XX ±0.20	
	XXX ±0.10	
scale:	2:1	
material:		
title:	TWO-PIECE SHELL HOOD 9-25pos. with short screw	
dwg no:	16V1103A	DIN-A 3 sh:1/4
part no:	SEE TABLE	

used for: D-SUB



d	
Colour	Part-No.
grey	300X10219X
metallized	300X10159X

RoHS compliant

THIS DRAWING MAY NOT BE COPIED OR REPRODUCED IN ANY WAY, AND MAY NOT BE PASSED ON TO A THIRD PARTY, WITHOUT WRITTEN PERMISSION. OWNERSHIP AND COPYRIGHT OF CONEC GmbH DO NOT ALTER CAD DRAWING BY HAND

rev.	description	date	name
2 x d	Ä 6248	05.08.2016	Unkr.
1 x c	Ä 2309	07.09.2005	Lehmen
2 x b	Ä 2298	19.08.2005	Lehmen

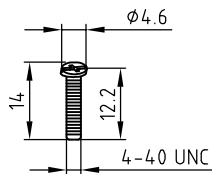
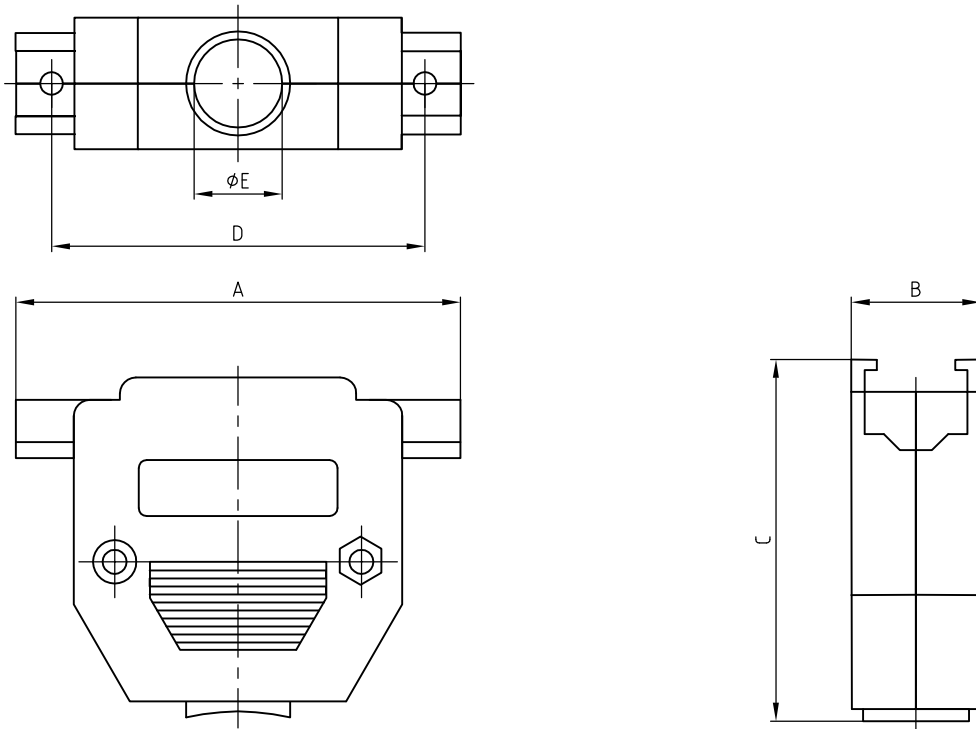
tolerance		dim. in mm	
X	±0.30		
.XX	±0.20		
.XXX	±0.10		
1995	date	name	
drawn	30.60.	Barcinski	
appd.	30.06.	Mickenbecker	
norm			

scale:	2:1
material:	
title:	TWO-PIECE SHELL HOOD 37pos. with short screw
dwg no:	
part no:	SEE TABLE

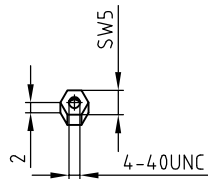


DIN-A
3
sh:2/4

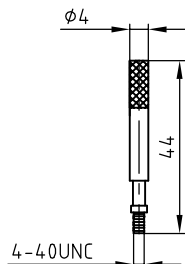
used for: D-SUB



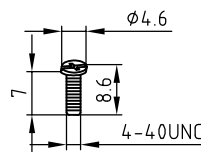
9-25pos. = 2x



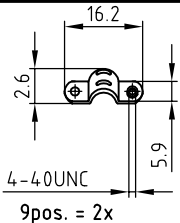
9-25pos. = 2x



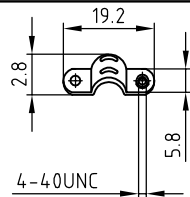
9-25pos. = 2x



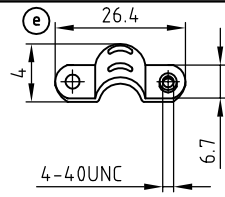
9-25pos. = 2x



9pos. = 2x



15pos. = 2x



25pos. = 2x

POS.	A	B	C	D	E	Colour	Part-No.
9	30.5	16	41	25	7	grey	300X10829X
						metallized	300X10879X
15	40	16.2	37.4	33.3	9.9	grey	300X10839X
						metallized	300X10889X
25	55	16.5	44.5	47	10.7	grey	300X10859X
						metallized	300X10909X

THIS DRAWING MAY NOT BE COPIED OR REPRODUCED IN ANY WAY, AND MAY NOT BE PASSED ON TO A THIRD PARTY, WITHOUT WRITTEN PERMISSION. OWNERSHIP AND COPYRIGHT OF CONEC GmbH DO NOT ALTER CAD DRAWING BY HAND

rev.	description	date	name
1 x e	Ä6582	15.03.2017	Lehmen, norm
2 x d	Ä 6248	05.08.2016	Unkr. d-old
1 x c	Ä 2309	07.09.2005	Lehmen,
2 x b	Ä 2298	19.08.2005	Lehmen,

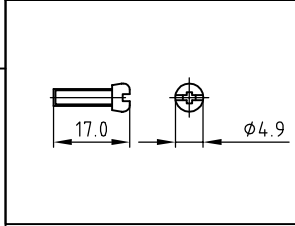
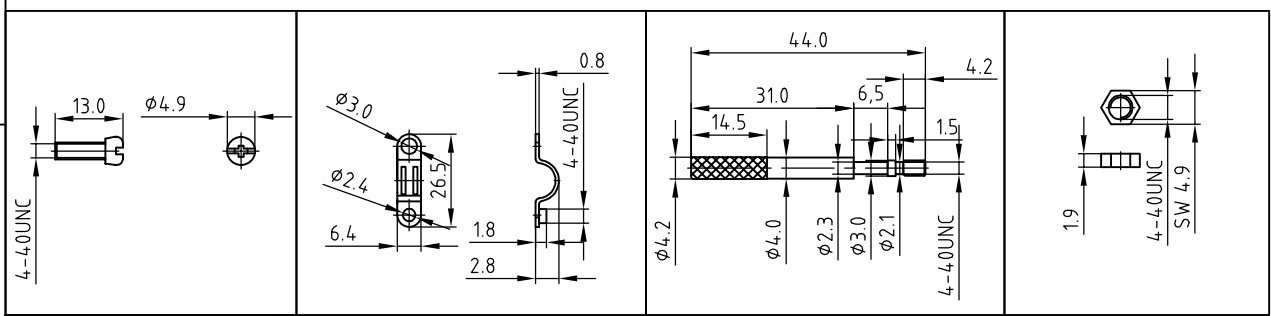
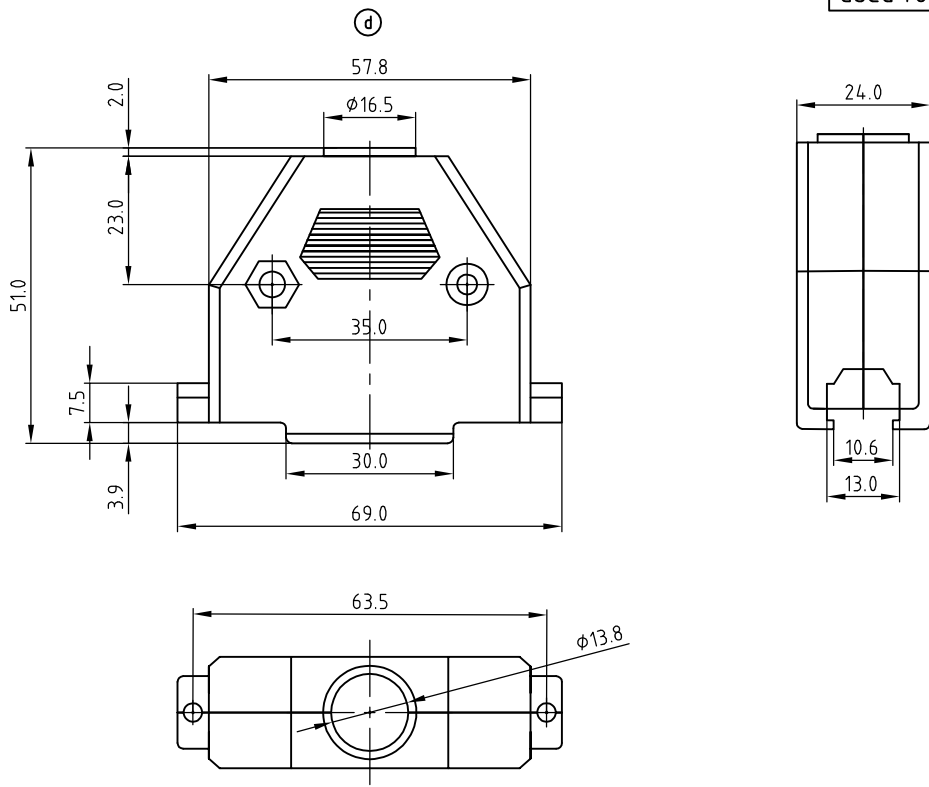
tolerance
 .X ±0.30
 .XX ±0.20
 .XXX ±0.10
 dim. in mm

scale: 2:1
 material:
 title: TWO-PIECE SHELL HOOD
 9-25pos.
 with long screw
 dwg no: DIN-A
 3
 sh:3/4
 part no: SEE TABLE



RoHS compliant

used for: D-SUB



d	
Colour	Part-No.
grey	300X10869X
metallized	300X10919X

RoHS compliant

THIS DRAWING MAY NOT BE COPIED OR REPRODUCED IN ANY WAY, AND MAY NOT BE PASSED ON TO A THIRD PARTY, WITHOUT WRITTEN PERMISSION. OWNERSHIP AND COPYRIGHT OF CONEC GmbH DO NOT ALTER CAD DRAWING BY HAND

rev.	description	date	name
2 x d	Ä 6248	05.08.2016	Unkr.
1 x c	Ä 2309	07.09.2005	Lehmen
2 x b	Ä 2298	19.08.2005	Lehmen

1995	date	name
drawn	30.60.	Barcinski
appd.	30.06.	Mickenbecker
norm		



tolerance	dim. in mm	scale:
.X ±0.30		2:1
.XX ±0.20		material:
.XXX ±0.10		title:
		TWO-PIECE SHELL HOOD
		37pos.
		with long screw
		dwg no:
		16V1103A
		part no: SEE TABLE

DIN-A
3
sh:4/4