



Chipsmall Limited consists of a professional team with an average of over 10 year of expertise in the distribution of electronic components. Based in Hongkong, we have already established firm and mutual-benefit business relationships with customers from,Europe,America and south Asia,supplying obsolete and hard-to-find components to meet their specific needs.

With the principle of "Quality Parts,Customers Priority,Honest Operation,and Considerate Service",our business mainly focus on the distribution of electronic components. Line cards we deal with include Microchip,ALPS,ROHM,Xilinx,Pulse,ON,Everlight and Freescale. Main products comprise IC,Modules,Potentiometer,IC Socket,Relay,Connector.Our parts cover such applications as commercial,industrial, and automotives areas.

We are looking forward to setting up business relationship with you and hope to provide you with the best service and solution. Let us make a better world for our industry!



Contact us

Tel: +86-755-8981 8866 Fax: +86-755-8427 6832

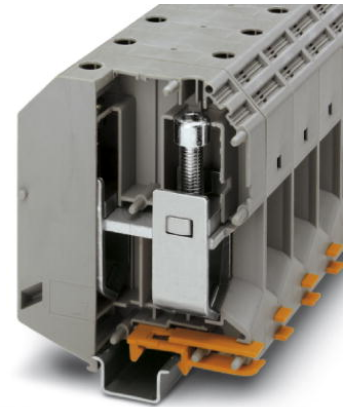
Email & Skype: info@chipsmall.com Web: www.chipsmall.com

Address: A1208, Overseas Decoration Building, #122 Zhenhua RD., Futian, Shenzhen, China



UKH 240

Order No.: 3010217



<http://eshop.phoenixcontact.de/phoenix/treeViewClick.do?UID=3010217>

Feed-through modular terminal block, Type of connection: Screw connection, Screw connection, Cross section: 70 mm² - 240 mm², AWG 2/0 - 500 kcmil, Width: 36 mm, Color: gray, Mounting type: NS 35/15, NS 32



| Commercial data | |
|--------------------------|-------------------|
| EAN | 4017918091873 |
| Pack | 10 pcs. |
| Customs tariff | 85369010 |
| Weight/Piece | 0.48686 KG |
| Catalog page information | Page 31 (CL-2009) |

Product notes

WEEE/RoHS-compliant since:
06/12/2006



<http://www.download.phoenixcontact.com>
Please note that the data given here has been taken from the online catalog. For comprehensive information and data, please refer to the user documentation. The General Terms and Conditions of Use apply to Internet downloads.

Technical data

General

| | |
|-----------------------|------|
| Number of levels | 1 |
| Number of connections | 2 |
| Color | gray |

| | |
|------------------------------------|----|
| Insulating material | PA |
| Inflammability class acc. to UL 94 | V0 |

Dimensions

| | |
|-----------------|----------|
| Width | 36 mm |
| Length | 100 mm |
| Height NS 35/15 | 131.5 mm |
| Height NS 32 | 129.5 mm |

Technical data

| | |
|----------------------------------|--|
| Maximum load current | 415 A (At 240 mm ² conductor cross section) |
| Rated surge voltage | 8 kV |
| Pollution degree | 3 |
| Surge voltage category | III |
| Insulating material group | I |
| Connection in acc. with standard | IEC 60947-7-1 |
| Nominal current I _N | 415 A |
| Nominal voltage U _N | 1000 V |
| Open side panel | nein |

Connection data

| | |
|--|---------------------|
| Conductor cross section solid min. | 70 mm ² |
| Conductor cross section solid max. | 240 mm ² |
| Conductor cross section stranded min. | 70 mm ² |
| Conductor cross section stranded max. | 240 mm ² |
| Conductor cross section AWG/kcmil min. | 2/0 |
| Conductor cross section AWG/kcmil max | 500 kcmil |
| Conductor cross section stranded, with ferrule without plastic sleeve min. | 70 mm ² |
| Conductor cross section stranded, with ferrule without plastic sleeve max. | 185 mm ² |
| Conductor cross section stranded, with ferrule with plastic sleeve min. | 50 mm ² |
| Conductor cross section stranded, with ferrule with plastic sleeve max. | 185 mm ² |
| 2 conductors with same cross section, solid min. | 35 mm ² |
| 2 conductors with same cross section, solid max. | 95 mm ² |
| 2 conductors with same cross section, stranded min. | 50 mm ² |

| | |
|---|---------------------|
| 2 conductors with same cross section, stranded max. | 95 mm ² |
| 2 conductors with same cross section, stranded, ferrules without plastic sleeve, min. | 35 mm ² |
| 2 conductors with same cross section, stranded, ferrules without plastic sleeve, max. | 50 mm ² |
| Cross-section with insertion bridge, solid max. | 240 mm ² |
| Cross-section with insertion bridge, stranded max. | 185 mm ² |
| Type of connection | Screw connection |
| Stripping length | 40 mm |
| Screw thread | M10 |
| Tightening torque, min | 25 Nm |
| Tightening torque max | 30 Nm |

Certificates / Approvals



Certification

BV, CSA, DNV, LR, PRS, RS, UL

Certification Ex:

CUL-EX, FM, IECEx, KEMA-EX, UL-EX

CSA

| | |
|-----------------------|---------|
| Nominal voltage U_N | 600 V |
| Nominal current I_N | 400 A |
| AWG/kcmil | 1/0-500 |

UL

| | |
|-----------------------|---------|
| Nominal voltage U_N | 600 V |
| Nominal current I_N | 380 A |
| AWG/kcmil | 2/0-500 |

Accessories

| Item | Designation | Description |
|-----------------|--------------------|--|
| Assembly | | |
| 3003554 | AGK 10-UKH 150/240 | Pick-off terminal block, Type of connection: Special and hybrid connection, Cross section: 0.5 mm ² - 16 mm ² , AWG 20 - 6, Width: 10.2 mm, Height: 34.7 mm, Color: gray |

| | | |
|---------|-------------------------------|---|
| 1201659 | E/AL-NS 32 | End bracket, for end support of UKH 50 - UKH 240, is pushed onto DIN rail NS 32 and fixed with 2 screws, width: 10 mm, color: Aluminum |
| 1201662 | E/AL-NS 35 | End bracket, for end support of UKH 50 to UKH 240, is pushed onto DIN rail NS 35 and fixed with 2 screws, width: 10 mm, color: aluminum |
| 1201028 | NS 32 AL UNPERF 2000MM | G rail 32 mm (NS 32) |
| 1201280 | NS 32 CU/120QMM UNPERF 2000MM | G-profile DIN rail, deep-drawn, material: Copper, unperforated, height 15 mm, width 32 mm, length 2 m |
| 1201358 | NS 32 CU/35QMM UNPERF 2000MM | G-profile DIN rail, material: Copper, unperforated, height 15 mm, width 32 mm, length 2 m |
| 1201002 | NS 32 PERF 2000MM | G-profile DIN rail, material: Steel, perforated, height 15 mm, width 32 mm, length 2 m |
| 1201015 | NS 32 UNPERF 2000MM | G-profile DIN rail, material: Steel, unperforated, height 15 mm, width 32 mm, length 2 m |
| 1201756 | NS 35/15 AL UNPERF 2000MM | DIN rail, deep-drawn, high profile, unperforated, 1.5 mm thick, material: Aluminum, height 15 mm, width 35 mm, length 2 m |
| 1201895 | NS 35/15 CU UNPERF 2000MM | DIN rail, material: Copper, unperforated, 1.5 mm thick, height 15 mm, width 35 mm, length: 2 m |
| 1201730 | NS 35/15 PERF 2000MM | DIN rail, material: Steel, perforated, height 15 mm, width 35 mm, length: 2 m |
| 1201714 | NS 35/15 UNPERF 2000MM | DIN rail, material: Steel, unperforated, height 15 mm, width 35 mm, length: 2 m |
| 1201798 | NS 35/15-2,3 UNPERF 2000MM | DIN rail, material: Steel, unperforated, 2.3 mm thick, height 15 mm, width 35 mm, length: 2 m |

Bridges

| | | |
|---------|-------------|---|
| 0201401 | EB 2-36/UKH | Cross connector/bridge, Number of positions: 2, Color: gray |
| 0201414 | EB 3-36/UKH | Cross connector/bridge, Number of positions: 3, Color: gray |

Marking

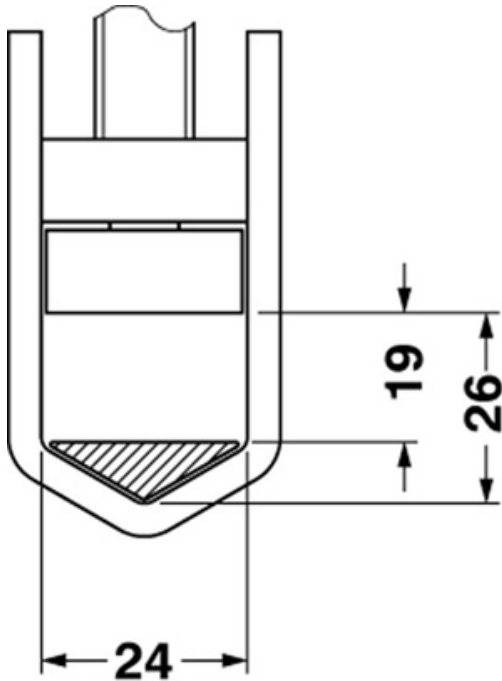
| | | |
|---------|-------------|---|
| 1004513 | WS-2K | Adhesive warning plate, self-adhesive, black print: lightning flash with mixed version - "Vorsicht Spannung - Attention Danger" size of label: 32 x 26 mm |
| 1050525 | ZB10:SO/CMS | Zack strip, 10-section, divisible, special printing, marking according to customer requirements |

Plug/Adapter

| | | |
|---------|----------------|-------------------|
| 3009244 | UKH 150/240 EP | Insertion profile |
|---------|----------------|-------------------|

Diagrams/Drawings

Dimensioned drawing



Circuit diagram



Approbationslogos (EX-Bereich)





UKH 240 Order No.: 3010217

<http://eshop.phoenixcontact.de/phoenix/treeViewClick.do?UID=3010217>

Address

PHOENIX CONTACT Deutschland GmbH
Flachmarktstr. 8
32825 Blomberg, Germany
Phone +49 5235 3 12000
Fax +49 5235 3 41200
<http://www.phoenixcontact.de>



© 2010 Phoenix Contact
Technical modifications reserved;