



Chipsmall Limited consists of a professional team with an average of over 10 year of expertise in the distribution of electronic components. Based in Hongkong, we have already established firm and mutual-benefit business relationships with customers from,Europe,America and south Asia,supplying obsolete and hard-to-find components to meet their specific needs.

With the principle of "Quality Parts,Customers Priority,Honest Operation,and Considerate Service",our business mainly focus on the distribution of electronic components. Line cards we deal with include Microchip,ALPS,ROHM,Xilinx,Pulse,ON,Everlight and Freescale. Main products comprise IC,Modules,Potentiometer,IC Socket,Relay,Connector.Our parts cover such applications as commercial,industrial, and automotives areas.

We are looking forward to setting up business relationship with you and hope to provide you with the best service and solution. Let us make a better world for our industry!



Contact us

Tel: +86-755-8981 8866 Fax: +86-755-8427 6832

Email & Skype: info@chipsmall.com Web: www.chipsmall.com

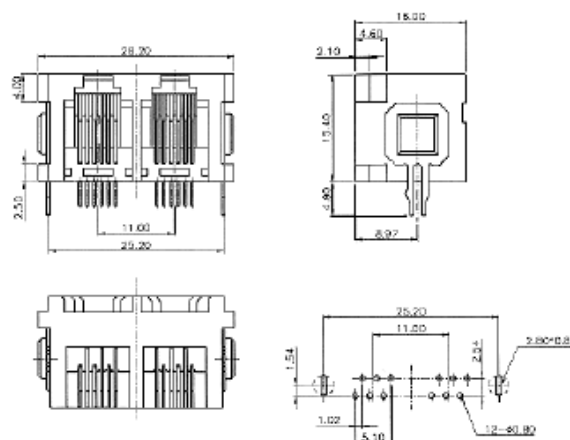
Address: A1208, Overseas Decoration Building, #122 Zhenhua RD., Futian, Shenzhen, China





Multi-Port With Metal Board Locks

2 To 6 Contacts - 2 To Twelve Ports



Dimensions	No. of Ports											
	2	3	4	5	6	7	8	9	10	11	12	
A	23.3 0.92	34.3 1.3	45.3 1.78	56.3 2.22	67.3 2.65	78.3 3.08	89.3 3.52	100.3 3.95	111.3 4.38	122.3 4.82	133.3 5.25	
B	23.5 0.93	34.5 1.36	45.5 1.79	56.5 2.22	67.5 2.66	78.5 3.09	89.5 3.52	100.5 3.96	111.5 4.39	122.5 4.82	133.5 5.26	
C	11.0 0.43	22.0 0.86	33.0 1.299	44.0 1.732	55.0 2.165	66.0 2.598	77.0 3.031	88.0 3.465	99.0 3.898	110.0 4.331	121.0 4.764	

Materials

Housing: Standard Material Glass filled Polyester UL94V-0
Standard Color Medium Gray

Contact: 0.46mm Diameter Alloy C5210. Gold Plating Over Nickel.

Gold Plating: As Per Customer Request

Ordering Information

Positions/ Contacts	RoHS	Description	Part Number
4P2C	✓	Multi-Port Solderable Board Lock Jack	301542B-*
4P4C	✓	Multi-Port Solderable Board Lock Jack	301544B-*
6P2C	✓	Multi-Port Solderable Board Lock Jack	301562B-*
6P4C	✓	Multi-Port Solderable Board Lock Jack	301564B-*
6P6C	✓	Multi-Port Solderable Board Lock Jack	301566B-*

Standard contact plating is 15 micro inches of gold. For optional platings add dash number as follows:

-6 = 6 Micro inches
-30 = 30 Micro inches

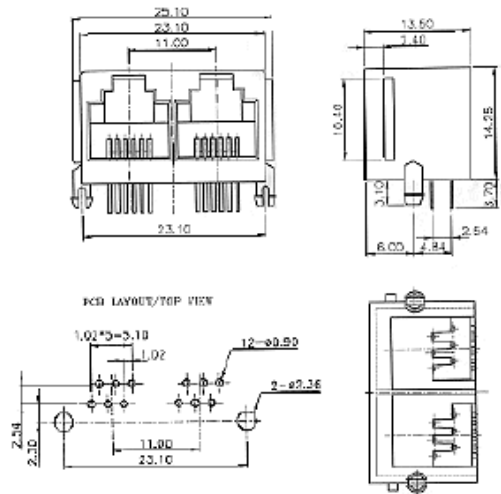
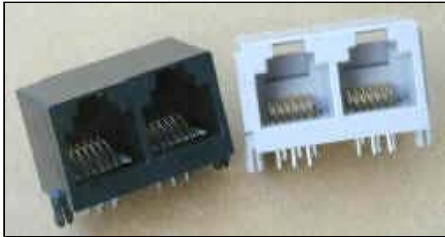
* Add -02 for 2 port, -03 for 3 port, etc.
Two to twelve ports available.

✓ RoHS compliant wave solder only



Multi-Port Press Fit

2 To 6 Contacts - 2 To Twelve Ports



No. of Ports											
Dimensions	2	3	4	5	6	7	8	9	10	11	12
A	28.2	34.3	45.3	56.3	67.3	78.3	89.3	100.3	111.3	122.3	133.3
	1.11	1.35	1.78	2.22	2.65	3.08	3.52	3.95	4.38	4.82	5.25
B	23.0	34.0	45.0	56.0	67.0	78.0	89.0	100.0	111.0	122.0	133.0
	0.90	1.34	1.77	2.20	2.64	3.07	3.50	3.94	4.37	4.80	5.24
C	11.0	22.0	33.0	44.0	55.0	66.0	77.0	88.0	99.0	110.0	121.0
	0.433	0.866	1.299	1.732	2.165	2.598	3.031	3.465	3.898	4.331	4.764

Materials

Housing: Standard Material Glass Filled Polyester UL 94V-0
Standard Color Medium Gray

Contact: 0.46mm Diameter Alloy C5210. Gold Plating Over Nickel.

Gold Plating: As Per Customer Request

Ordering Information

Positions/ Contacts	ROHS	Description	Part Number
4P2C	✓	Multi-Port Press-Fit Jack	301642-*
4P4C	✓	Multi-Port Press-Fit Jack	301644-*
6P2C	✓	Multi-Port Press-Fit Jack	301662-*
6P4C	✓	Multi-Port Press-Fit Jack	301664-*
6P6C	✓	Multi-Port Press-Fit Jack	301666-*

Standard contact plating is 15 micro inches of gold. For optional platings add the dash numbers as follows:
-6 = 6 Micro inches
-30 = 30 Micro inches

-50 = 50 Micro inches

S

✓ RoHS compliant wave solder only

* Add -02 for 2 port, -03 for 3 port, etc. Two to twelve ports available

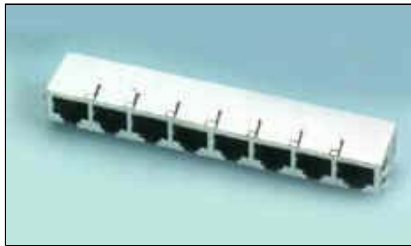
FOR TECHNICAL SUPPORT: PHONE 973-347-4040 / FAX973-347-2111

[Back to Index](#)

14



Single and Multi Port Jacks



Non-Shielded, Shielded and Shielded with Grounding Tabs are available.

Single position and up to twelve positions are standard as listed below in these moderate profile RJ45 jacks.

Materials

Shielded: 0.35mm Thickness Alloy C5210. Tin Plating Over Nickel in Solder Area

Housing: Standard Material: Glass Filled Polyester UL 94V-O
Standard Color Black

Contact: 0.35mm (0.014") Thickness Alloy C5210. Gold Plating Over Nickel in Contact Area

Gold Plating: 0.76 um / 30 u inch

Ordering Information

Click Part Numbers Listed Below For Detailed Drawings

Ports	RoHS	Unshielded	Shielded	Shielded W/ Ground Tabs
1	✓	301201	301201S	301201ST
2	✓	301202	301202S	301202ST
4	✓	301204	301204S	301204ST
5	✓	301205	301205S	N/A
6	✓	301206	301206S	301206ST
8	✓	301208	301208S	301208ST
10	✓	301210	301210S	301210ST
12	✓	301212	301212S	N/A

S

S

✓ RoHS compliant wave solder only

FOR TECHNICAL SUPPORT: PHONE 973-347-4040 / FAX973-347-2111

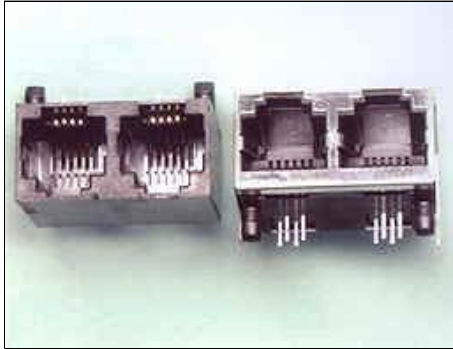
[Back to Index](#)

15

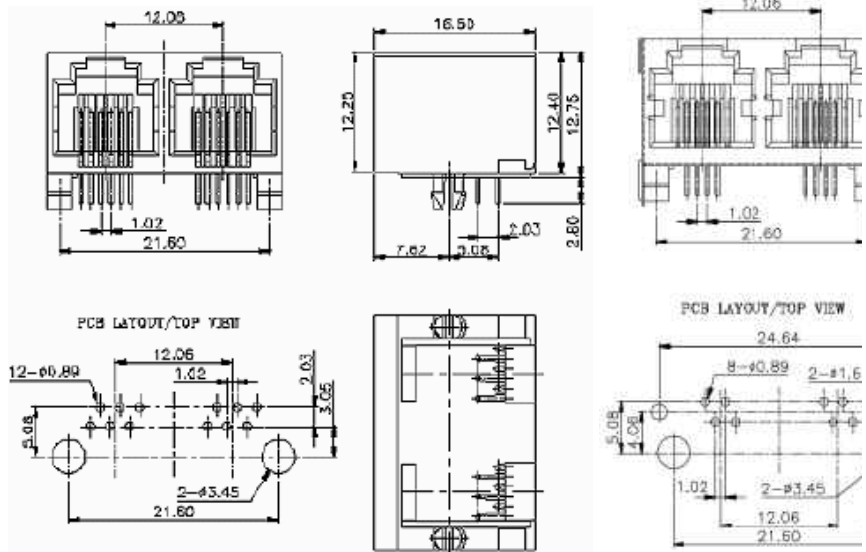


Multi Port RJ11 & RJ12 Jacks

4 Contact and 6 Contact



Non-Shielded



Materials

Housing: Standard Material ZYTEL FR-550 UL 94V-0
Standard Color Black

Contact: 0.35mm (0.014") Thickness Alloy C5210. Gold Plating Over Nickel Over Tin

Gold Plating: 0.76u m / 30 u inch

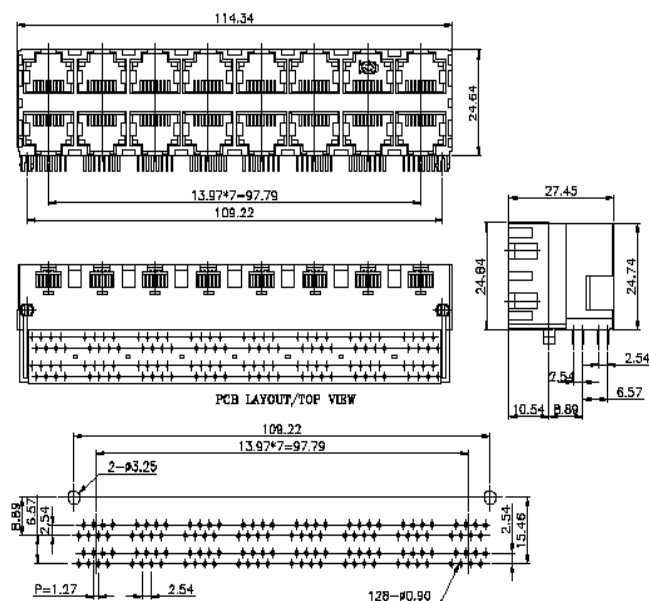
Ordering Information

Contacts	RoHS	Description	Non-Shielded	Shielded
6P4C	✓	2 Port RJ11, 6 Position, 4 Contact Each Port	306504	306504S
6P6C	✓	2 Port RJ12, 6 Position, 6 Contact Each Port	306506	306506S

✓ RoHS compliant wave solder only



Dual Row Multi Port Right Angle



S

S

S

Standard contact plating is 15 micro inches of gold. For optional platings add dash number as follows:
 -30 = 30 Micro inches
 -50 = 50 Micro inches

S

S

Materials

- Shielded:** 0.25mm Thickness Copper Alloy with Tin Plated
- Housing:** Standard Material Glass Filled Polyester UL 94V-0
Standard Color Black
- Contact:** 0.35mm (0.014") Diameter Alloy C5210. Gold Plating Over Nickel Over Tin.
- Gold Plating:** As Per Customer Request

Ordering Information

Ports/ 2 High by Wide	RoHS	Non-Shielded	Shielded	Shielded W/ Tabs
1 (2)	✓	302201	302201S	302201ST
2 (4)	✓	302202	302202S	302202ST
4 (8)	✓	302204	302204S	302204ST
5 (10)	✓	302205	N/A	N/A
6 (12)	✓	302206	302206S	302206ST
8 (16)	✓	302208	302208S	302208ST

Click Part Number
for Drawing

S

S ✓ RoHS compliant wave solder only RoHS compliant wave solder onl

S

