



Chipsmall Limited consists of a professional team with an average of over 10 year of expertise in the distribution of electronic components. Based in Hongkong, we have already established firm and mutual-benefit business relationships with customers from,Europe,America and south Asia,supplying obsolete and hard-to-find components to meet their specific needs.

With the principle of “Quality Parts,Customers Priority,Honest Operation,and Considerate Service”,our business mainly focus on the distribution of electronic components. Line cards we deal with include Microchip,ALPS,ROHM,Xilinx,Pulse,ON,Everlight and Freescale. Main products comprise IC,Modules,Potentiometer,IC Socket,Relay,Connector.Our parts cover such applications as commercial,industrial, and automotives areas.

We are looking forward to setting up business relationship with you and hope to provide you with the best service and solution. Let us make a better world for our industry!



Contact us

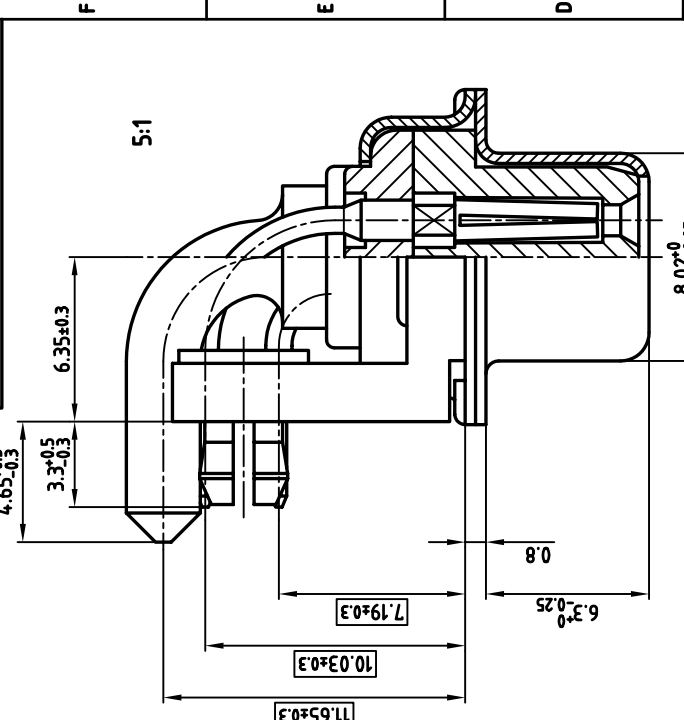
Tel: +86-755-8981 8866 Fax: +86-755-8427 6832

Email & Skype: info@chipsmall.com Web: www.chipsmall.com

Address: A1208, Overseas Decoration Building, #122 Zhenhua RD., Futian, Shenzhen, China



used for: D-SUB COMBINATION



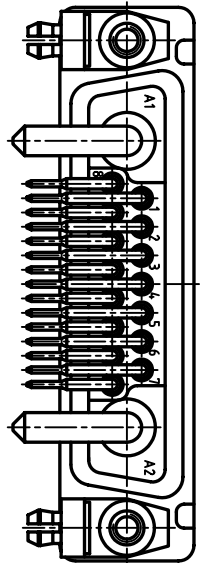
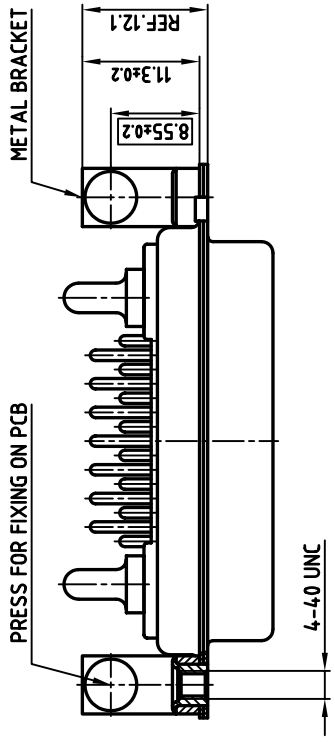
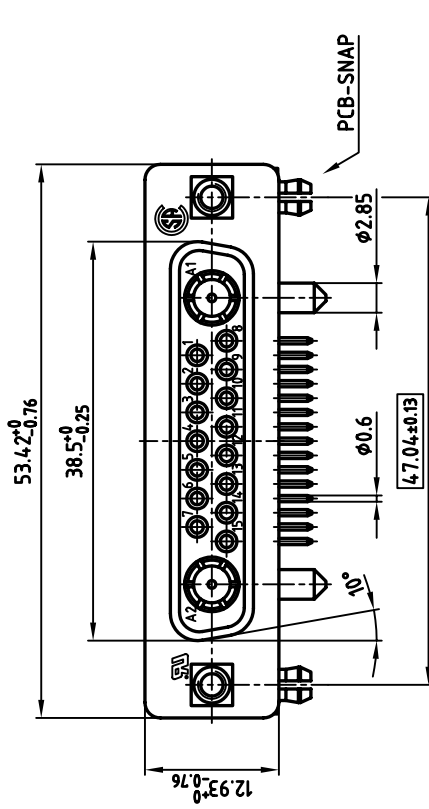
NOTES:

1. METALSHELLS: STEEL; min. 320µ" TIN
2. INSULATORS: PBT GF UL 94 V-0, GREEN
3. SIGNAL CONTACTS: COPPER ALLOY
4. PLATING: min. 30µ" HARD GOLD OVER min. 50µ" NICKEL
5. HIGH POWER CONTACTS 20A: COPPER ALLOY
6. PLATING: min. 30µ" HARD GOLD OVER min. 50µ" NICKEL
7. METAL BRACKET: STEEL; min. 320µ" TIN over 80µ" NICKEL
8. THREADED INSERT: COPPER ALLOY; min. 200µ" TIN over 80µ" NICKEL
9. PCB-SNAP: COPPER ALLOY; min. 200µ" TIN over 80µ" NICKEL
- PCB-HOLE: $\phi 3.1 \pm 0.1$; PCB THICKNESS 1.6mm
10. P.C.B. HOLE DRILLINGS ON SHEET 2
11. MAXIMUM TORQUE VALUE FOR THREAD: 6" LBS
12. = CRITICAL DIMENSION: SPC



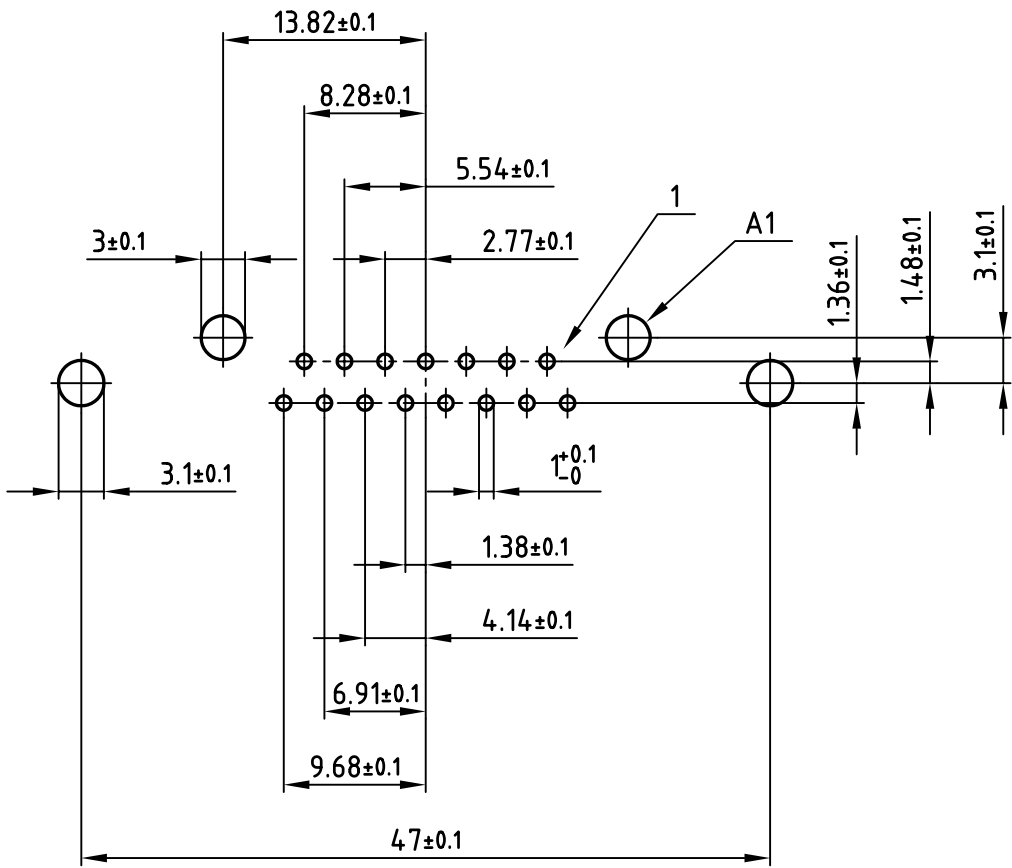
tolerance		scale: 2:1		material: SEE NOTES	
2001	date	name	title:		
drawn	22.08.	Parrel	D-SUB COMBINATION FEMALE 90°		
appd.	22.08.	E. Mickenbecker	17W2S 0.318inch		
norm			with threaded insert, metal bracket and clip		
e-old			dwg no: 13K1A320A		
			AutoCAD 2000 DIN-A		
			3 sh:1/2		
rev. description		date		name	
CONEC®					
part no: 3017W2SCT56N40X					

THIS DRAWING MAY NOT BE COPIED OR REPRODUCED IN ANY WAY, AND MAY NOT BE PASSED ON TO A THIRD PARTY WITHOUT WRITTEN PERMISSION.
OWNERSHIP AND COPYRIGHT OF CONEC GMBH DO NOT ALTER CAD DRAWING BY HAND



1 2 3 4 5 6 7 8

used for: D-SUB COMBINATION



THIS DRAWING MAY NOT BE COPIED OR REPRODUCED IN ANY WAY, AND MAY NOT BE PASSED ON TO A THIRD PARTY WITHOUT WRITTEN PERMISSION.
 OWNERSHIP AND COPYRIGHT OF CONEC GmbH
DO NOT ALTER CAD DRAWING BY HAND

			tolerance	
2001	date	name		
drawn	22.08.	Parei		
appd.	22.08.	E. Mickenbecker		
norm				
d-old				
CONEC®				
rev.	description	date	name	

scale:	2:1
material:	SEE SHEET 1
title:	P.C.B. HOLE DRILLINGS FOR D-SUB COMBINATION FEMALE 90° 17W2S with threaded insert, metal bracket and clip
dwg no:	AutoCAD 2000
part no:	SEE SHEET 1
DIN-A	4
sh:	2/2

