



Chipsmall Limited consists of a professional team with an average of over 10 year of expertise in the distribution of electronic components. Based in Hongkong, we have already established firm and mutual-benefit business relationships with customers from,Europe,America and south Asia,supplying obsolete and hard-to-find components to meet their specific needs.

With the principle of “Quality Parts,Customers Priority,Honest Operation,and Considerate Service”,our business mainly focus on the distribution of electronic components. Line cards we deal with include Microchip,ALPS,ROHM,Xilinx,Pulse,ON,Everlight and Freescale. Main products comprise IC,Modules,Potentiometer,IC Socket,Relay,Connector.Our parts cover such applications as commercial,industrial, and automotives areas.

We are looking forward to setting up business relationship with you and hope to provide you with the best service and solution. Let us make a better world for our industry!



## Contact us

Tel: +86-755-8981 8866 Fax: +86-755-8427 6832

Email & Skype: info@chipsmall.com Web: www.chipsmall.com

Address: A1208, Overseas Decoration Building, #122 Zhenhua RD., Futian, Shenzhen, China

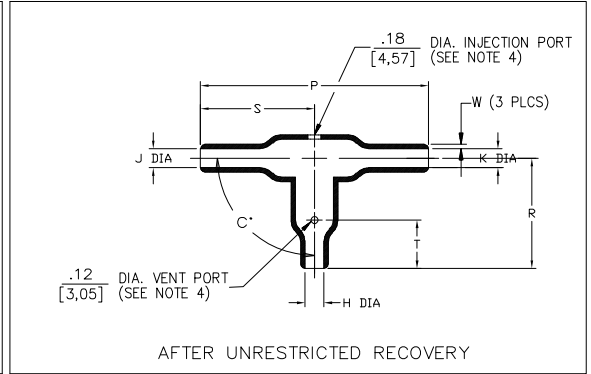
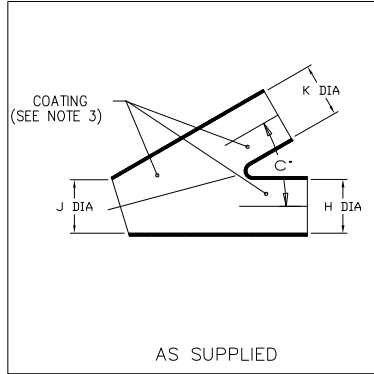


# Molded Parts Specification Control Drawing

Part Number : 301A011 thru 048  
Description : Transition, T

## NOTES

- All dimensions are in  $\frac{\text{inches}}{[\text{millimeters}]}$ ;  $\frac{\text{lbs}}{[\text{gms}]}$
- Dimensions appearing in table are as follows:
  - As Supplied
  - After Unrestricted Recovery
- Coating is optional. As supplied dimensions appearing in table are for uncoated parts. When coating is added, entry diameters will be reduced by .06 max.
- Molding parts are optional. When -00 modification number is specified molding ports will be located as shown. On size 301A011 the .12 diameter vent will be eliminated, and the .18 diameter injection port will be decreased to  $\frac{.09}{[2,29]}$
- Weight appearing in table of dimensions is based on polyolefin part.



PART NUMBER	H, J & K		P	R	S	T	W	C°		Weight Nom b
	Min a	Max b	±10% b	±10% b	±10% b	±10% b	±30% b	±10° a	±5° b	
	301A011	$\frac{.26}{[6,6]}$	$\frac{.14}{[3,6]}$	$\frac{1.17}{[29,7]}$	$\frac{.58}{[14,7]}$	$\frac{.59}{[15,1]}$	N/A	$\frac{.04}{[1,0]}$	30°	
301A022	$\frac{.52}{[13,2]}$	$\frac{.27}{[6,9]}$	$\frac{2.31}{[58,7]}$	$\frac{1.16}{[29,5]}$	$\frac{1.16}{[29,5]}$	$\frac{.69}{[17,5]}$	$\frac{.06}{[1,5]}$	30°	90°	$\frac{.009}{[4,1]}$
301A034	$\frac{1.06}{[26,9]}$	$\frac{.53}{[13,5]}$	$\frac{4.73}{[120,1]}$	$\frac{2.36}{[60,2]}$	$\frac{2.37}{[60,2]}$	$\frac{1.40}{[35,6]}$	$\frac{.09}{[2,3]}$	30°	90°	$\frac{.069}{[31,3]}$
301A048	$\frac{2.19}{[55,6]}$	$\frac{1.19}{[30,2]}$	$\frac{9.70}{[246,4]}$	$\frac{4.85}{[123,2]}$	$\frac{4.85}{[123,2]}$	$\frac{2.79}{[70,9]}$	$\frac{.12}{[3,0]}$	30°	90°	$\frac{.558}{[253,1]}$



© 2004,2011 Tyco Electronics Corporation, a TE Connectivity Ltd. Company. All Rights Reserved.

Revision : T1  
Date : 29MAR11

Part Number : 301A011 thru 048  
Description : Transition, T

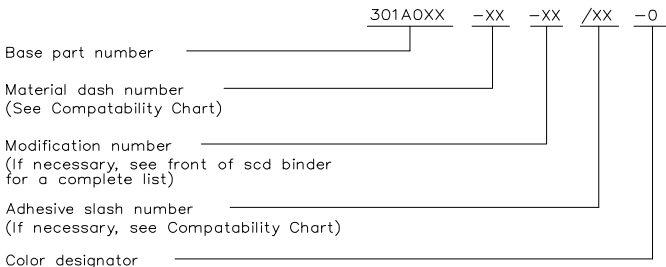
# Molded Parts Specification Control Drawing

Part Number : 301A011 thru 048  
Description : Transition, T

MATERIAL DASH NO.	MATERIAL DESCRIPTION	RT SPEC	COATING SLASH NO.	COATING S NO.	COATING DESCRIPTION
-3	Polyolefin, Semi-rigid	RT-301	/42;/86;/180	S-1017;S-1048;S-1030	Adhesive
-4	Polyolefin, Flexible	RT-1304	/42;/86;/180	S-1017;S-1048;S-1030	Adhesive
-5	Elastomer, Flexible	RT-501	N/A		
-6	Silicone	RT-602	N/A		
-12	*VITON, Flexible	RT-1312	N/A		
-25	Elastomer, Fluid Resistant	RT-1325	/86;/225	S-1048;S-1206	Adhesive
-52	Polyolefin, Nuclear Molding Compound	RT-1508	N/A		
-100	Polyolefin, Semi-Flexible ZEROHAL™	RT-1323	/86;/180	S-1048;S-1030	Adhesive

\*VITON is a Registered Trademark of Dupont

## ORDERING INFORMATION



THIS DRAWING IS SUBJECT TO CHANGE WITHOUT NOTICE; CONSULT YOUR NEAREST FIELD REPRESENTATIVE FOR CURRENT REVISION

IF THIS DOCUMENT IS PRINTED IT BECOMES UNCONTROLLED. CHECK FOR THE LATEST REVISION.



Revision : T1  
Date : 29MAR11

Part Number : 301A011 thru 048  
Description : Transition, T

CAD FILE MP04027