



Chipsmall Limited consists of a professional team with an average of over 10 year of expertise in the distribution of electronic components. Based in Hongkong, we have already established firm and mutual-benefit business relationships with customers from,Europe,America and south Asia,supplying obsolete and hard-to-find components to meet their specific needs.

With the principle of “Quality Parts,Customers Priority,Honest Operation,and Considerate Service”,our business mainly focus on the distribution of electronic components. Line cards we deal with include Microchip,ALPS,ROHM,Xilinx,Pulse,ON,Everlight and Freescale. Main products comprise IC,Modules,Potentiometer,IC Socket,Relay,Connector.Our parts cover such applications as commercial,industrial, and automotives areas.

We are looking forward to setting up business relationship with you and hope to provide you with the best service and solution. Let us make a better world for our industry!



Contact us

Tel: +86-755-8981 8866 Fax: +86-755-8427 6832

Email & Skype: info@chipsmall.com Web: www.chipsmall.com

Address: A1208, Overseas Decoration Building, #122 Zhenhua RD., Futian, Shenzhen, China



used for: D-SUB

Ⓒ SPECIFICATION:

1. MATERIAL:

- INSULATOR: THERMAL PLASTIC UL 94 V-0
- CONTACTS: COPPER ALLOY
- SHELL: STEEL
- RIVET; BOARDLOCK: COPPER ALLOY

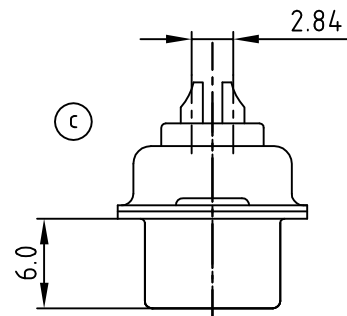
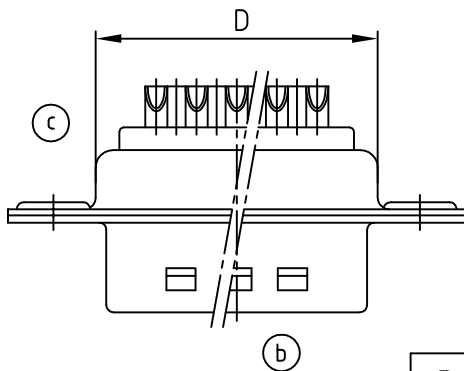
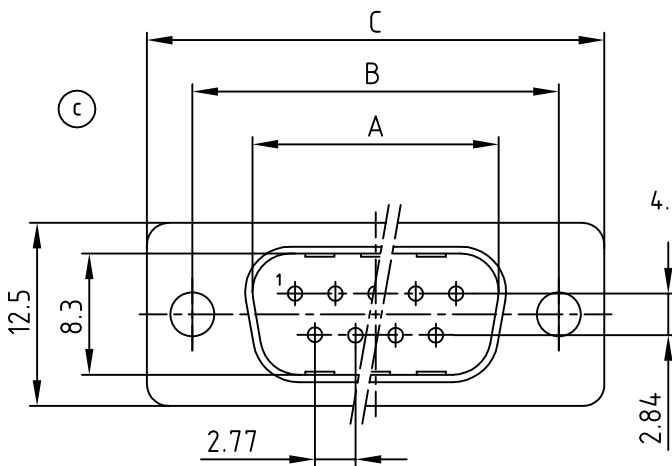
2. CONTACT PLATING:

- UNDERPLATE: 50µ" NICKEL
- CONTACT AREA: GOLD FLASH
- SOLDER TAILS AREA: GOLD FLASH

3. ELECTRICAL:

- OPERATION VOLTAGE: 250 VAC max.
- CURRENT RATING: 3 A max.
- CONTACT RESISTANCE: 15 OHM max.
- INSULATION RESISTANCE: 3000 OHM min. @ 500 VDC
- DIELECTRIC WITHSTANDING VOLTAGE: 1000 VAC / MINUTE
- OPERATING TEMPERATURE: -55°C TO +105°C

4. CONNECTOR IS PART MARKED: PART-NO. CONEC ABC



Part NO.	No. of Pos.	A	B	C	D
301A10019X	9	16.92	25.00	30.8	19.2
301A10029X	15	25.25	33.30	39.2	27.7
301A10059X	25	38.96	47.10	53.1	41.1
301A10069X	37	55.42	63.50	69.4	57.3

Directive 2002/95/EC
RoHS
Compliant

THIS DRAWING MAY NOT BE COPIED OR REPRODUCED IN ANY WAY, AND MAY NOT BE PASSED ON TO A THIRD PARTY WITHOUT WRITTEN PERMISSION. OWNERSHIP AND COPYRIGHT OF CONEC GmbH DO NOT ALTER CAD DRAWING BY HAND

tolerance		ANG. ±5°		
0. ±0.5		.0 ±0.3		
.00 ±0.2				
2001	date	name		
drawn	25.09.	Parei		
appd.	25.09.	E. Mickenbecker		
norm	DIN 41652			
6 x c	Ä3825	29.11.2010	K.H.	d-old
1 x b	Ä3486	09.11.09	Sonne	
a	Origin			
rev.	description	date	name	



scale:	2:1	
material:	SEE NOTES	
title:	D-SUB MALE SOLDER CUP 9-37pos. with stamped contacts	
dwg no:	AutoCAD 2000	DIN-A
	16K1A306A	4
part no:	SEE TABLE	
		sh:1/2