



Chipsmall Limited consists of a professional team with an average of over 10 year of expertise in the distribution of electronic components. Based in Hongkong, we have already established firm and mutual-benefit business relationships with customers from,Europe,America and south Asia,supplying obsolete and hard-to-find components to meet their specific needs.

With the principle of “Quality Parts,Customers Priority,Honest Operation,and Considerate Service”,our business mainly focus on the distribution of electronic components. Line cards we deal with include Microchip,ALPS,ROHM,Xilinx,Pulse,ON,Everlight and Freescale. Main products comprise IC,Modules,Potentiometer,IC Socket,Relay,Connector.Our parts cover such applications as commercial,industrial, and automotives areas.

We are looking forward to setting up business relationship with you and hope to provide you with the best service and solution. Let us make a better world for our industry!



Contact us

Tel: +86-755-8981 8866 Fax: +86-755-8427 6832

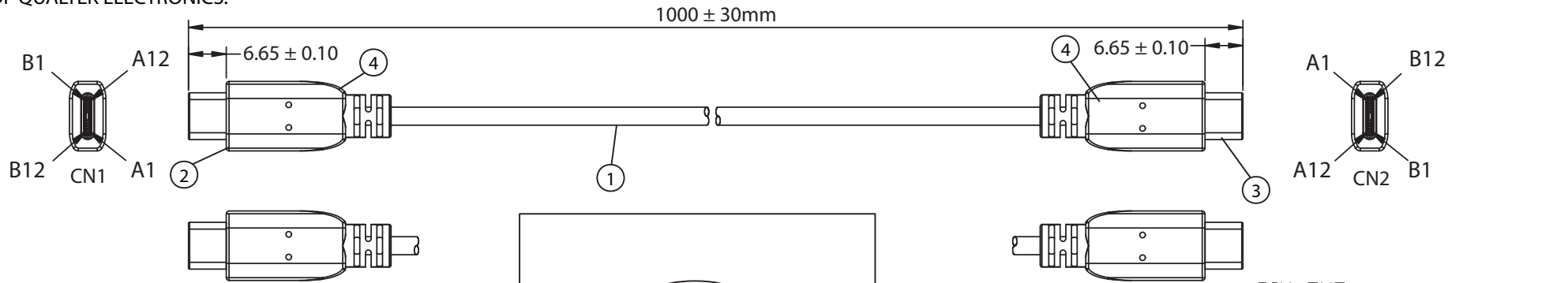
Email & Skype: info@chipsmall.com Web: www.chipsmall.com

Address: A1208, Overseas Decoration Building, #122 Zhenhua RD., Futian, Shenzhen, China

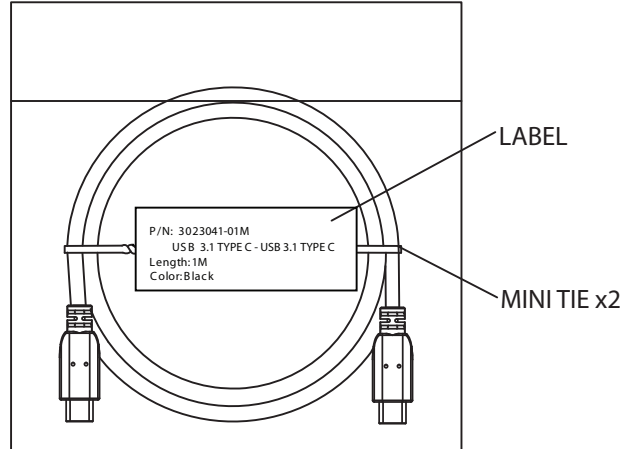


THESE DRAWINGS ARE THE PROPERTY OF QUALTEK ELECTRONICS AND NOT TO BE REPRODUCED FOR OR COMMUNICATED TO A THIRD PARTY WITHOUT THE EXPRESS WRITTEN PERMISSION OF AN OFFICER OF QUALTEK ELECTRONICS.

REVISION			
REV.	DESCRIPTION	DATE	APPROVED



P/N: 3023041-01M
 USB 3.1 TYPE C - USB 3.1 TYPE C
 Length: 1M
 Color: Black



PIN OUT

CN1		CN2
A4, A9, B4, B9	RED(26AWG*2C)	A4, A9, B4, B9
A1, A12, B1, B12	DRAIN(26AWG*2C)	A1, A12, B1, B12
A5	BLUE(32AWG)	A5
B5	YELLOW(32AWG)	B5
A6	GREEN	A6
A7	WHITE	A7
A2	YELLOW(LUCENCY MYLAR)	B11
A3	BLUE(LUCENCY MYLAR)	B10
A1, A12, B1, B12	DRAIN	A1, A12, B1, B12
B11	ORANGE(LUCENCY MYLAR)	A2
B10	PURPLE(LUCENCY MYLAR)	A3
A1, A12, B1, B12	DRAIN	A1, A12, B1, B12
B2	YELLOW(BLUE MYLAR)	A11
B3	BLUE(BLUE MYLAR)	A10
A1, A12, B1, B12	DRAIN	A1, A12, B1, B12
A11	ORANGE(BLUE MYLAR)	B2
A10	PURPLE(BLUE MYLAR)	B3
A1, A12, B1, B12	DRAIN	A1, A12, B1, B12
A8	RED(32AWG)	B8
B8	BLACK(32AWG)	A8
SHELL	BRAID	SHELL

NOTES:

- CABLE: UL2725
 (7/0.085TAX1PR+EAM)x4+7/0.08TAX1PR+19/0.1TAX2C+
 7/0.08TAX4C+19/0.10TAX2+CONDUCTIVE FILM(PE)+ B 85%
 PVC OUTER JACKET: BLACK, OD: 4.8 ± 0.2mm
- CONNECTOR: USB 3.1 GEN 1 TYPE C MALE
 INSULATOR: BLACK PBT
 PIN GOLD PLATED
 NICKEL PLATED SHELL
 PCB WITH E-MARKED
- CONNECTOR: USB 3.1 GEN 1 TYPE C MALE
 INSULATOR: BLACK PBT
 PIN GOLD PLATED
 NICKEL PLATED SHELL
- PVC MOLDED: COLOR V398 45P BLACK
- ELECTRICAL TEST:
 <1>.100% OPEN SHORT & MISS WIRE TEST
- DATA TRANSFER RATE UP TO 5Gbps (NOMINAL)
- CURRENT RATING UP TO 5A (NOMINAL)
- VOLTAGE RATING UP TO 12V (NOMINAL)
- PACKING: 1PC/POLYBAG W/ LABEL

CONTROLLED

Dim range (mm)	Tolerance +/- (mm)	Qualtek Electronics Corp. WCI DIVISION		
		Part Number: 3023041-01M	RoHS Compliant	
0-1	0.15	Description: USB 3.1(C)/M - USB 3.1 (C)/M		
1-6	0.20	UNIT: mm		
6-18	0.30	Drawn / Date	Checked / Date	Approved / Date
18-50	0.50	R. Nuti 08-24-15	08-24-15	LY / 08-24-15
50-120	0.70			
120-250	0.90			
250-500	1.20			