



Chipsmall Limited consists of a professional team with an average of over 10 year of expertise in the distribution of electronic components. Based in Hongkong, we have already established firm and mutual-benefit business relationships with customers from,Europe,America and south Asia,supplying obsolete and hard-to-find components to meet their specific needs.

With the principle of “Quality Parts,Customers Priority,Honest Operation,and Considerate Service”,our business mainly focus on the distribution of electronic components. Line cards we deal with include Microchip,ALPS,ROHM,Xilinx,Pulse,ON,Everlight and Freescale. Main products comprise IC,Modules,Potentiometer,IC Socket,Relay,Connector.Our parts cover such applications as commercial,industrial, and automotives areas.

We are looking forward to setting up business relationship with you and hope to provide you with the best service and solution. Let us make a better world for our industry!



## Contact us

Tel: +86-755-8981 8866 Fax: +86-755-8427 6832

Email & Skype: info@chipsmall.com Web: www.chipsmall.com

Address: A1208, Overseas Decoration Building, #122 Zhenhua RD., Futian, Shenzhen, China



## SK 35


Order No.: 3026463



<http://eshop.phoenixcontact.de/phoenix/treeViewClick.do?UID=3026463>

Shield connection terminal block, for applying the shield to busbars,  
type SK 35

### Commercial data

GTIN (EAN)	
sales group	A502
Pack	10 pcs.
Customs tariff	85369010
Catalog page information	Page 678 (CL-2009)

### Product notes

WEEE/RoHS-compliant since:  
05/01/2005



<http://www.download.phoenixcontact.com>  
Please note that the data given here has been taken from the online catalog. For comprehensive information and data, please refer to the user documentation. The General Terms and Conditions of Use apply to Internet downloads.

### Technical data

#### General

Color	silver
-------	--------

#### Connection data

Tightening torque, min	1.5 Nm
Tightening torque max	1.8 Nm

**Accessories**

Item	Designation	Description
------	-------------	-------------

**Assembly**

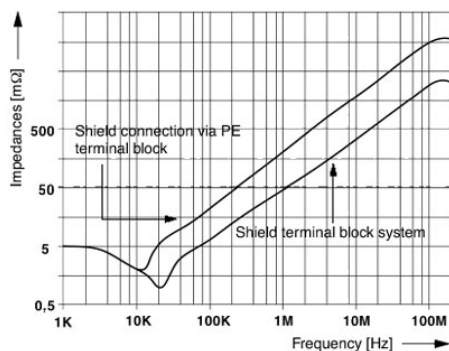
3025341	AB-SK	Support for busbars
0404428	AB/SS	Support made of insulating material, with retaining screw, for use with either 3 x 10 mm or 6 x 6 mm busbar, color: gray
0402174	NLS-CU 3/10 SN 1000MM	PEN conductor busbar, 3mm x 10 mm, length: 1000 mm

**General**

0404017	AK 4	Power terminal block, Load current : 41 A, Cross section: 0.5 mm <sup>2</sup> - 6 mm <sup>2</sup> , Width: 7 mm, Color: gray
0421032	AKG 4 BK	Power terminal block, Load current : 41 A, Cross section: 0.5 mm <sup>2</sup> - 6 mm <sup>2</sup> , Width: 7 mm, Color: black
0421029	AKG 4 GNYE	Power terminal block, Load current : 41 A, Cross section: 0.5 mm <sup>2</sup> - 6 mm <sup>2</sup> , Width: 7 mm, Color: green-yellow

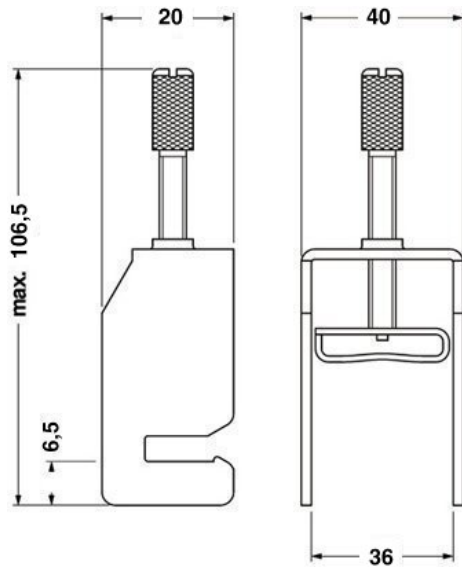
**Diagrams/Drawings**

## Diagram



Dimensioned drawing

---



SK 35 Order No.: 3026463

<http://eshop.phoenixcontact.de/phoenix/treeViewClick.do?UID=3026463>

---

**Address**

PHOENIX CONTACT Deutschland GmbH  
Flachmarktstr. 8  
32825 Blomberg, Germany  
Phone +49 5235 3 12000  
Fax +49 5235 3 41200  
<http://www.phoenixcontact.de>



© 2011 Phoenix Contact  
Technical modifications reserved;