



Chipsmall Limited consists of a professional team with an average of over 10 year of expertise in the distribution of electronic components. Based in Hongkong, we have already established firm and mutual-benefit business relationships with customers from,Europe,America and south Asia,supplying obsolete and hard-to-find components to meet their specific needs.

With the principle of "Quality Parts,Customers Priority,Honest Operation,and Considerate Service",our business mainly focus on the distribution of electronic components. Line cards we deal with include Microchip,ALPS,ROHM,Xilinx,Pulse,ON,Everlight and Freescale. Main products comprise IC,Modules,Potentiometer,IC Socket,Relay,Connector.Our parts cover such applications as commercial,industrial, and automotives areas.

We are looking forward to setting up business relationship with you and hope to provide you with the best service and solution. Let us make a better world for our industry!



Contact us

Tel: +86-755-8981 8866 Fax: +86-755-8427 6832

Email & Skype: info@chipsmall.com Web: www.chipsmall.com

Address: A1208, Overseas Decoration Building, #122 Zhenhua RD., Futian, Shenzhen, China




SK 20-D

Order No.: 3026887

<http://eshop.phoenixcontact.de/phoenix/treeViewClick.do?UID=3026887>

Shield connection terminal block, for applying the shield directly to the
conductive mounting plates

Commercial data	
GTIN (EAN)	 4 017918 820275
sales group	A502
Pack	10 pcs.
Customs tariff	85369010
Catalog page information	Page 678 (CL-2009)

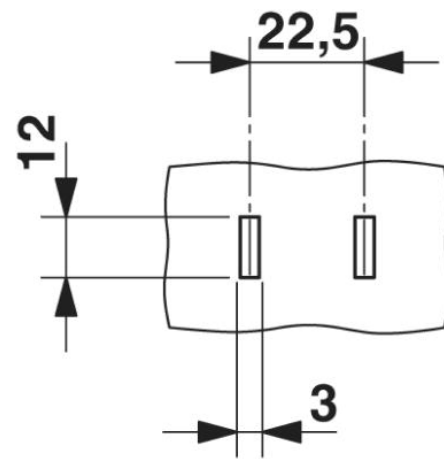
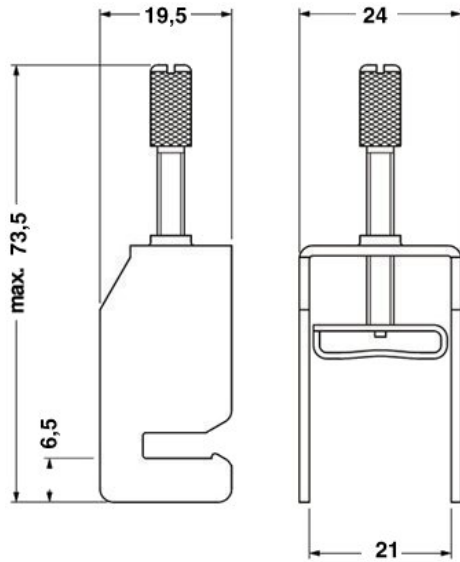
Product notesWEEE/RoHS-compliant since:
02/15/2005

<http://www.download.phoenixcontact.com>
Please note that the data given here has been taken from the online catalog. For comprehensive information and data, please refer to the user documentation. The General Terms and Conditions of Use apply to Internet downloads.

Technical data	
General	
Color	silver
Connection data	
Tightening torque max	0.8 Nm

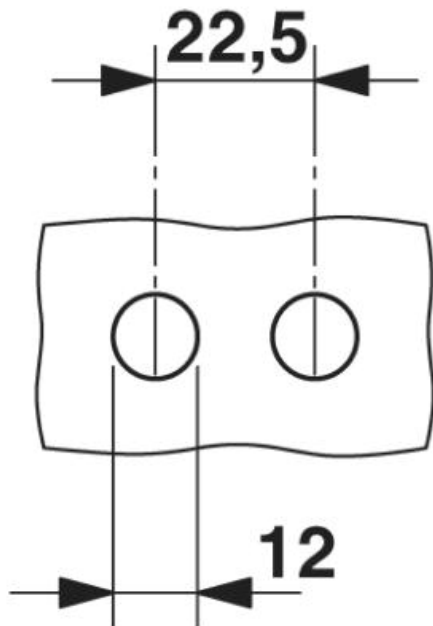
Diagrams/Drawings

Dimensioned drawing



Punching template

Drilling diagram



SK 20-D Order No.: 3026887

<http://eshop.phoenixcontact.de/phoenix/treeViewClick.do?UID=3026887>

Address

PHOENIX CONTACT Deutschland GmbH
Flachmarktstr. 8
32825 Blomberg, Germany
Phone +49 5235 3 12000
Fax +49 5235 3 41200
<http://www.phoenixcontact.de>



© 2011 Phoenix Contact
Technical modifications reserved;