



Chipsmall Limited consists of a professional team with an average of over 10 year of expertise in the distribution of electronic components. Based in Hongkong, we have already established firm and mutual-benefit business relationships with customers from,Europe,America and south Asia,supplying obsolete and hard-to-find components to meet their specific needs.

With the principle of “Quality Parts,Customers Priority,Honest Operation,and Considerate Service”,our business mainly focus on the distribution of electronic components. Line cards we deal with include Microchip,ALPS,ROHM,Xilinx,Pulse,ON,Everlight and Freescale. Main products comprise IC,Modules,Potentiometer,IC Socket,Relay,Connector.Our parts cover such applications as commercial,industrial, and automotives areas.

We are looking forward to setting up business relationship with you and hope to provide you with the best service and solution. Let us make a better world for our industry!



## Contact us

Tel: +86-755-8981 8866 Fax: +86-755-8427 6832

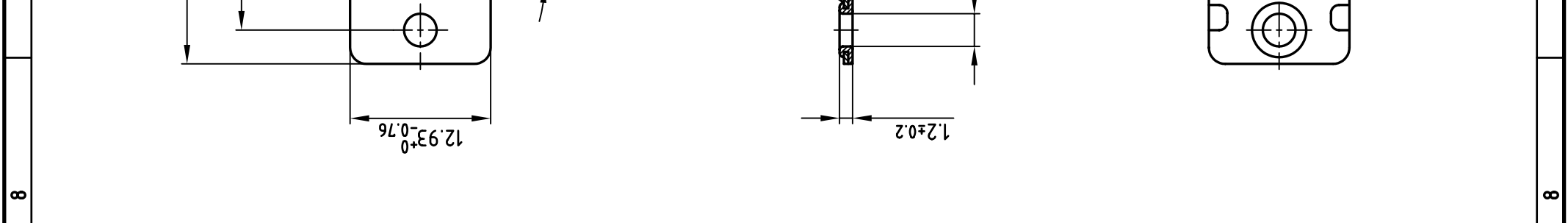
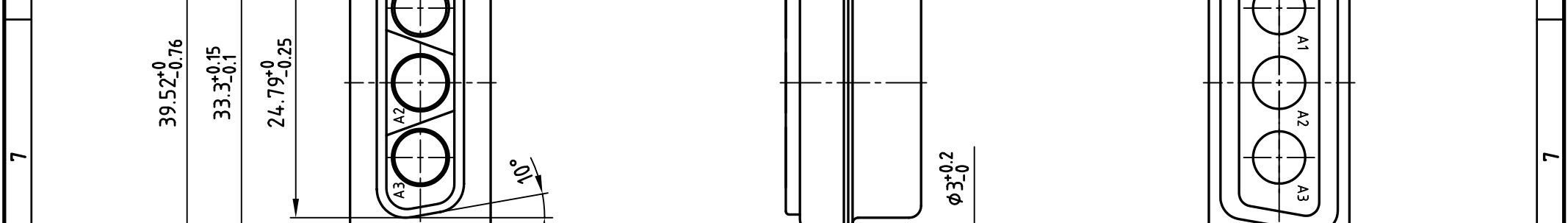
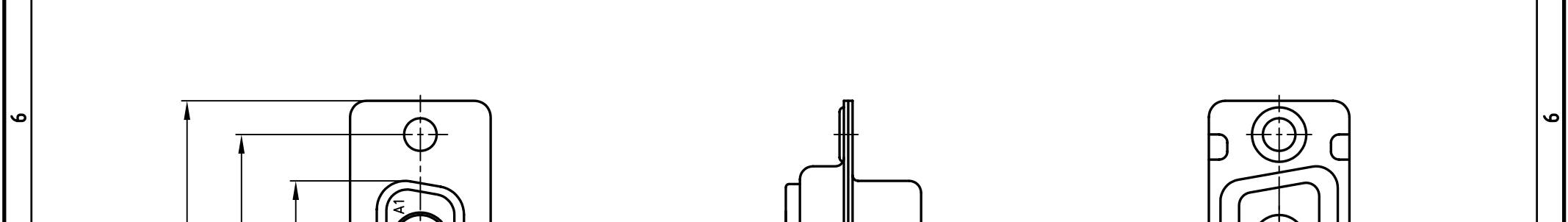
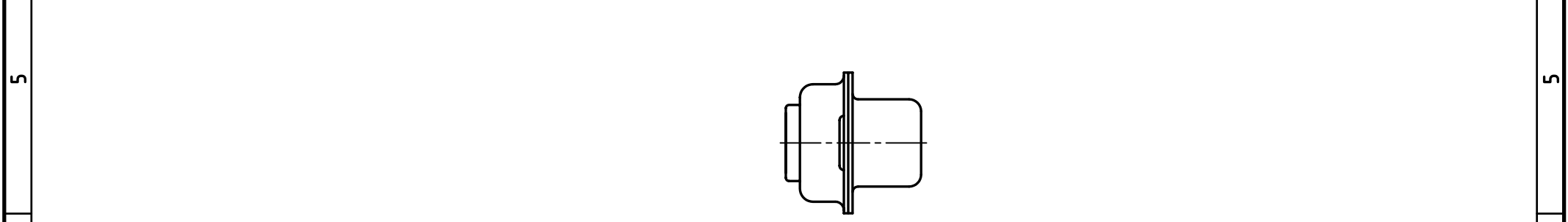
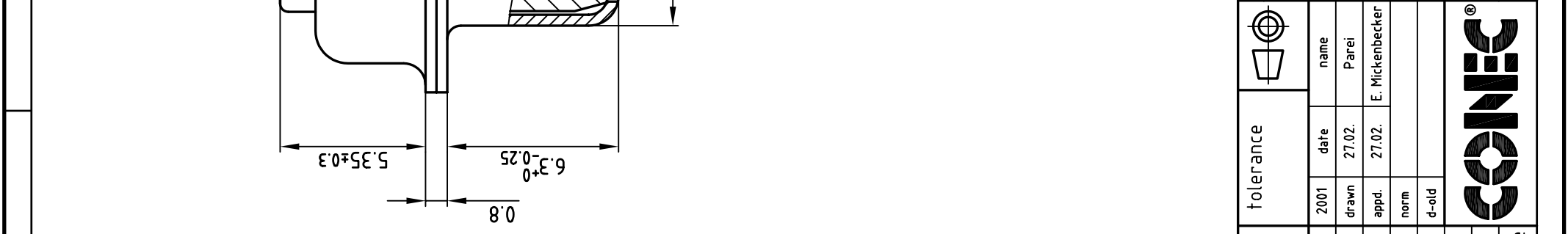
Email & Skype: info@chipsmall.com Web: www.chipsmall.com

Address: A1208, Overseas Decoration Building, #122 Zhenhua RD., Futian, Shenzhen, China



F E D C B A

used for: D-SUB COMBINATION



8 7 6 5 4 3 2 1

Directive 2002/95/EC  
"RoHS"  
Compliant

NOTES:

1. METALSHELLS: STEEL; min. 320µin TIN
2. INSULATORS: PBT GF UL 94 V-0; GREEN

DO NOT ALTER CAD DRAWING BY HAND  
OWNERSHIP AND COPYRIGHT OF CONEC GMBH  
WRITTEN PERMISSION  
BE PASSED ON TO A THIRD PARTY WITHOUT  
REPRODUCED IN ANY WAY, AND MAY NOT  
THIS DRAWING MAY NOT BE COPIED OR

tolerance	2001	date	27.02.	name	Parei
	drawn				
	appd.	27.02.		E. Mickenbecker	
	norm				
	d-old				

scale: 2:1 (5:1)  
material: SEE NOTES  
title: D-SUB COMBINATION FEMALE  
3W3CS

rev. description date name

dwg no: 13K1A196A  
part no: 303W3CSXX99A10X

AutoCAD 2000 DIN-A 3  
sh: 1/1

**CONEC**

13K1A196A

303W3CSXX99A10X

3W3CS

DIN-A 3

sh: 1/1

AutoCAD 2000

13K1A196A

303W3CSXX99A10X

3W3CS

DIN-A 3

sh: 1/1

AutoCAD 2000

13K1A196A