



Chipsmall Limited consists of a professional team with an average of over 10 year of expertise in the distribution of electronic components. Based in Hongkong, we have already established firm and mutual-benefit business relationships with customers from,Europe,America and south Asia,supplying obsolete and hard-to-find components to meet their specific needs.

With the principle of “Quality Parts,Customers Priority,Honest Operation,and Considerate Service”,our business mainly focus on the distribution of electronic components. Line cards we deal with include Microchip,ALPS,ROHM,Xilinx,Pulse,ON,Everlight and Freescale. Main products comprise IC,Modules,Potentiometer,IC Socket,Relay,Connector.Our parts cover such applications as commercial,industrial, and automotives areas.

We are looking forward to setting up business relationship with you and hope to provide you with the best service and solution. Let us make a better world for our industry!



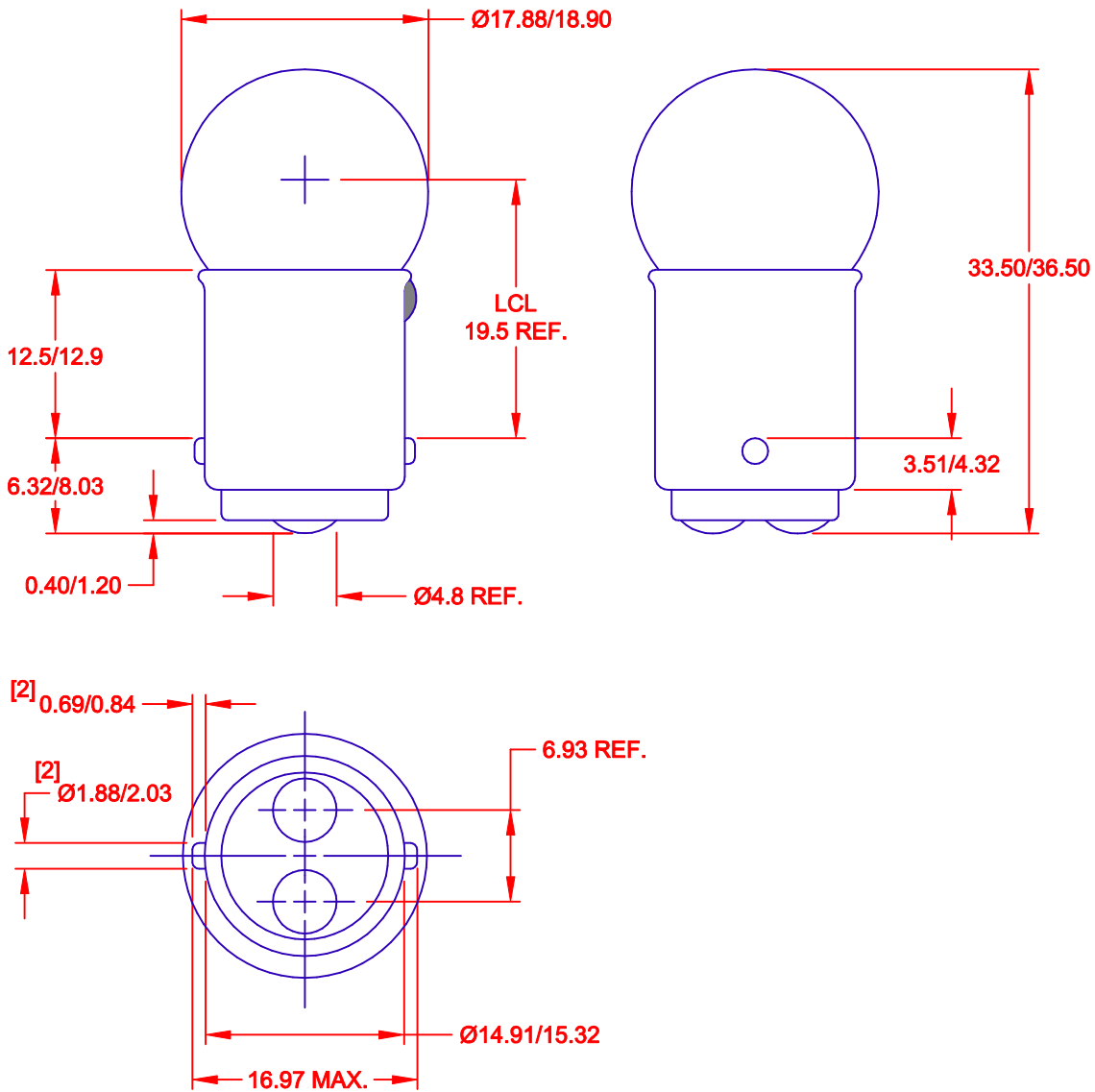
Contact us

Tel: +86-755-8981 8866 Fax: +86-755-8427 6832

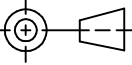
Email & Skype: info@chipsmall.com Web: www.chipsmall.com

Address: A1208, Overseas Decoration Building, #122 Zhenhua RD., Futian, Shenzhen, China





JKL LAMP NUMBER	VOLTS RATED	AMPS $\pm 10\%$	MSCP $\pm 25\%$	LUMENS $\pm 25\%$	AVERAGE LIFE HRS.	FILAMENT TYPE
68	13.5	.59	4.00	50.00	2,000	C-2R
1252	28.0	.23	3.00	37.71	2,000	2C-2V
304	28.0	.30	6.00	75.42	500	C-2F
1224	34.0	.16	3.80	47.77	500	C-2F

			METRIC  THIRD ANGLE PROJECTION		DIMENSIONS ARE IN MILLIMETERS TOLERANCE UNLESS OTHERWISE SPECIFIED 1 PL +/- 0.2 2 PL +/- 0.20 ANGLE +/- 0		JKL COMPONENTS CORPORATION TITLE G-6 DOUBLE CONTACT BAYONET BASE LAMP				
RELEASED AS CAD			4/4/01	APPV'D	DATE	SCALE	FSCM NO.	DRAWING NO.	REVISION DATE	REV. NO.	SHEET
L. WENGSTROM			QC	4/4/01		A	55335	BAYONET DOUBLE CONTACT G-6	4/4/01		1 OF 1
- CAD DRAWING -			MANUAL REVISIONS NOT PERMITTED		SCALE		NONE		REVISION DATE		SHEET
REV. NO.	DESCRIPTION/ECO NUMBER	APPV'D DATE									