



Chipsmall Limited consists of a professional team with an average of over 10 year of expertise in the distribution of electronic components. Based in Hongkong, we have already established firm and mutual-benefit business relationships with customers from,Europe,America and south Asia,supplying obsolete and hard-to-find components to meet their specific needs.

With the principle of "Quality Parts,Customers Priority,Honest Operation,and Considerate Service",our business mainly focus on the distribution of electronic components. Line cards we deal with include Microchip,ALPS,ROHM,Xilinx,Pulse,ON,Everlight and Freescale. Main products comprise IC,Modules,Potentiometer,IC Socket,Relay,Connector.Our parts cover such applications as commercial,industrial, and automotives areas.

We are looking forward to setting up business relationship with you and hope to provide you with the best service and solution. Let us make a better world for our industry!



Contact us

Tel: +86-755-8981 8866 Fax: +86-755-8427 6832

Email & Skype: info@chipsmall.com Web: www.chipsmall.com

Address: A1208, Overseas Decoration Building, #122 Zhenhua RD., Futian, Shenzhen, China





WING LOCK COMPRESSION LOCK | VERSION 1



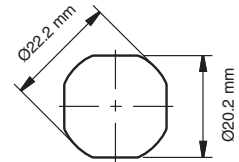
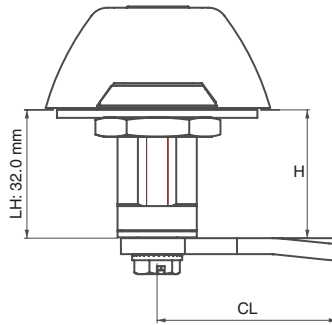
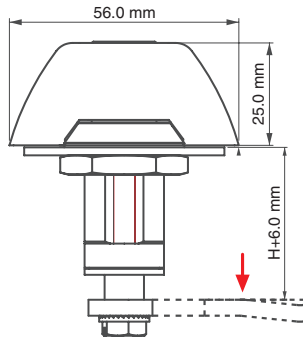
*Example with cam.
Cam sold separately.

Specifications

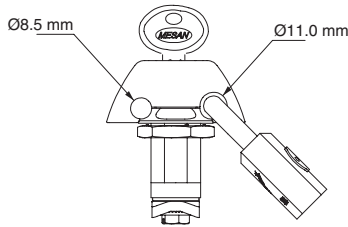
- Material:
Housing: Zinc Alloy (Zamak) DIN-EN 1774-ZnAl4Cu1
Handle: Zinc Alloy (Zamak) DIN-EN 1774-ZnAl4Cu1
Cam: Steel
Gasket: Rubber
- Finish: Chrome or black coated
- Provides 6 mm of compression

Features

- Used for enclosures that require better sealing under vibrating conditions
- Provides noise isolation
- Standard cams without stopper required for these locks
- Applications: Railway applications, construction equipment, electric panels, machinery covers



Padlock Application

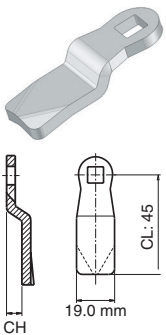


Cut Out

Version 1

Item Number		Cylinder	Cam
Chrome	Black	No cylinder	Select Cam Below
3401110000	3401120000		
3401110300	3401120300	Stainless dust cap (keyed alike)	Select Cam Below

Steel Cam



Item Number	CH (mm)	CL (mm)	H (mm)
30403117	0.0	45.0	32.0
30403557	1.0	45.0	33.0
30403581	2.0	45.0	34.0
30403054	3.0	45.0	35.0
30403197	4.0	45.0	36.0
30403128	6.0	45.0	38.0
30403583	8.0	45.0	40.0
30403584	10.0	45.0	42.0
30403123	12.0	45.0	44.0
30403422	14.0	45.0	46.0
30403410	16.0	45.0	48.0

Item Number	CH (mm)	CL (mm)	H (mm)
30403429	18.0	45.0	50.0
30403585	20.0	45.0	52.0
30403586	22.0	45.0	54.0
30403411	24.0	45.0	56.0
30403425	-2.0	45.0	30.0
30403198	-4.0	45.0	28.0
30403423	-6.0	45.0	26.0
30403412	-8.0	45.0	24.0
30403552	-10.0	45.0	22.0
30403587	-12.0	45.0	20.0
30403420	-14.0	45.0	18.0