



Chipsmall Limited consists of a professional team with an average of over 10 year of expertise in the distribution of electronic components. Based in Hongkong, we have already established firm and mutual-benefit business relationships with customers from,Europe,America and south Asia,supplying obsolete and hard-to-find components to meet their specific needs.

With the principle of “Quality Parts,Customers Priority,Honest Operation,and Considerate Service”,our business mainly focus on the distribution of electronic components. Line cards we deal with include Microchip,ALPS,ROHM,Xilinx,Pulse,ON,Everlight and Freescale. Main products comprise IC,Modules,Potentiometer,IC Socket,Relay,Connector.Our parts cover such applications as commercial,industrial, and automotives areas.

We are looking forward to setting up business relationship with you and hope to provide you with the best service and solution. Let us make a better world for our industry!



Contact us

Tel: +86-755-8981 8866 Fax: +86-755-8427 6832

Email & Skype: info@chipsmall.com Web: www.chipsmall.com

Address: A1208, Overseas Decoration Building, #122 Zhenhua RD., Futian, Shenzhen, China





MINI COMPRESSION LOCK



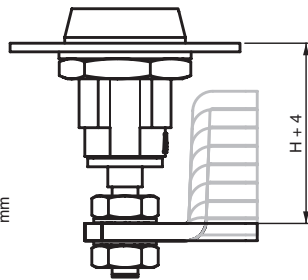
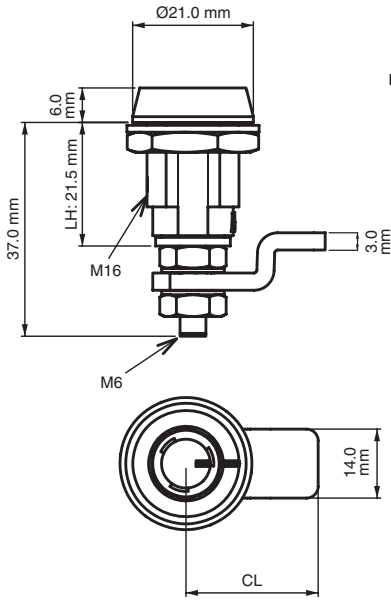
*Example with cam. Cam sold separately.

Specifications

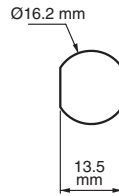
- Material:
 - Housing: Zinc Alloy (Zamak) DIN-EN 1774-ZnAl4Cu1
 - Driver: Zinc Alloy (Zamak) DIN-EN 1774-ZnAl4Cu1
 - Knob: PA6 GFR 30
 - Cam: Steel
 - Gasket: Rubber
 - Finish: Chrome or black coated
- 4 mm compression ratio

Features

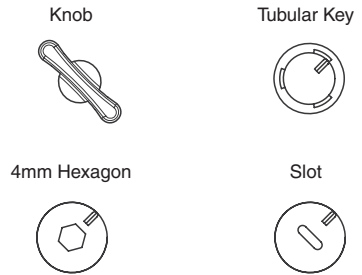
- Used for enclosures that require better sealing under vibrating conditions
- Provides noise isolation
- Driver and cam alternatives available
- Applications: Electric panels, machinery covers, railway applications, construction equipment



Cut Out



Drivers



Dust Cap



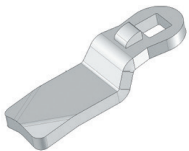
Specifications

- Order separately
- Material: Polyurethane

Item Number

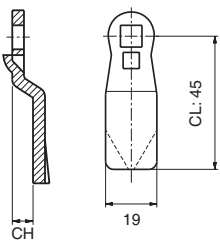
140A1

Item Number		Driver	Cam
Zinc Alloy / Chrome	Zinc Alloy / Black		
140116400	140126400	4mm Hexagon	Select Cam Below
140119300	140129300	Tubular key	Select Cam Below
140119400	140129400	Knob	Select Cam Below



Material: Steel
Finish: Zinc plated
Thickness: 4 mm

Steel Cam



Item Number	CL	CH	H min	H max
30400606	0.0	23.0	26.2	29.4
30400607	1.0	23.0	25.2	28.4
30400608	3.8	23.0	22.4	25.6
30400609	7.0	23.0	19.2	22.4
30400610	10.2	23.0	16.0	19.2
30400611	13.4	23.0	12.8	16.0
30400612	16.6	23.0	9.6	12.8
30400613	19.8	23.0	6.4	9.6
30400614	23.0	23.0	3.2	6.4