



Chipsmall Limited consists of a professional team with an average of over 10 year of expertise in the distribution of electronic components. Based in Hongkong, we have already established firm and mutual-benefit business relationships with customers from,Europe,America and south Asia,supplying obsolete and hard-to-find components to meet their specific needs.

With the principle of "Quality Parts,Customers Priority,Honest Operation,and Considerate Service",our business mainly focus on the distribution of electronic components. Line cards we deal with include Microchip,ALPS,ROHM,Xilinx,Pulse,ON,Everlight and Freescale. Main products comprise IC,Modules,Potentiometer,IC Socket,Relay,Connector.Our parts cover such applications as commercial,industrial, and automotives areas.

We are looking forward to setting up business relationship with you and hope to provide you with the best service and solution. Let us make a better world for our industry!



Contact us

Tel: +86-755-8981 8866 Fax: +86-755-8427 6832

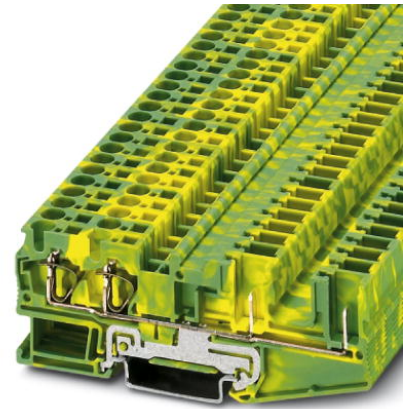
Email & Skype: info@chipsmall.com Web: www.chipsmall.com

Address: A1208, Overseas Decoration Building, #122 Zhenhua RD., Futian, Shenzhen, China



ST 4-QUATTRO/2P-PE


Order No.: 3042858



<http://eshop.phoenixcontact.de/phoenix/treeViewClick.do?UID=3042858>

Spring-cage modular terminal block, Type of connection: Spring-cage connection, Cross section: 0.08 mm² - 6 mm², AWG 28 - 10, Width: 6.2 mm, Color: green-yellow, Mounting type: NS 35/7.5, NS 35/15

Commercial data

GTIN (EAN)	
sales group	A673
Pack	50 pcs.
Customs tariff	85369010
Catalog page information	Page 249 (CL-2009)

Product notes

WEEE/RoHS-compliant since:
01/01/2003



<http://www.download.phoenixcontact.com>
Please note that the data given here has been taken from the online catalog. For comprehensive information and data, please refer to the user documentation. The General Terms and Conditions of Use apply to Internet downloads.

Technical data

General

Number of levels	1
Number of connections	4
Color	green-yellow
Insulating material	PA

Inflammability class acc. to UL 94	V0
Dimensions	
Width	6.2 mm
Length	97.3 mm
Height NS 35/7.5	36.5 mm
Height NS 35/15	44 mm
Technical data	
Rated surge voltage	6 kV
Pollution degree	3
Surge voltage category	III
Insulating material group	I
Connection in acc. with standard	IEC 61984
Connection data	
Conductor cross section solid min.	0.08 mm ²
Conductor cross section solid max.	6 mm ²
Conductor cross section stranded min.	0.08 mm ²
Conductor cross section stranded max.	4 mm ²
Conductor cross section AWG/kcmil min.	28
Conductor cross section AWG/kcmil max	10
Conductor cross section stranded, with ferrule without plastic sleeve min.	0.14 mm ²
Conductor cross section stranded, with ferrule without plastic sleeve max.	4 mm ²
Conductor cross section stranded, with ferrule with plastic sleeve min.	0.14 mm ²
Conductor cross section stranded, with ferrule with plastic sleeve max.	4 mm ²
2 conductors with same cross section, stranded, TWIN ferrules with plastic sleeve, min.	0.5 mm ²
2 conductors with same cross section, stranded, TWIN ferrules with plastic sleeve, max.	1 mm ²
Type of connection	Spring-cage connection
Stripping length	10 mm
Internal cylindrical gage	A3

Certificates / Approvals



Certification

CB, CSA, CUL, GOST, UL, VDE-PZI

Accessories

Item	Designation	Description
Assembly		
3030815	ATP-ST QUATTRO	Partition plate, Length: 90.9 mm, Width: 2 mm, Height: 45 mm, Color: gray
3043747	D-ST 4-QUATTRO/2P	End cover, Length: 97.2 mm, Width: 2.2 mm, Height: 36.5 mm, Color: gray
3043750	DS-ST 4/P	Cover segment, Length: 72 mm, Height: 36.5 mm, Color: gray
1207640	NS 35/ 7,5 PERF 755MM	NS 35 DIN rail, height 7.5 mm, length 755 mm
1207653	NS 35/ 7,5 PERF 955MM	NS35 DIN rail, height 7.5 mm, length 955 mm
1207666	NS 35/ 7,5 PERF 1155MM	NS 35 DIN rail, height 7.5 mm, length 1155 mm
1207679	NS 35/15 PERF 755MM	NS 35 DIN rail, perforated, height 15 mm, length 755 mm
1207682	NS 35/15 PERF 955MM	NS 35 DIN rail, perforated, height 15 mm, length 955 mm
1207695	NS 35/15 PERF 1155MM	NS 35 DIN rail, perforated, height 15 mm, length 1155 mm
Bridges		
3030336	FBS 2-6	Plug-in bridge, Number of positions: 2, Color: red
3030242	FBS 3-6	Plug-in bridge, Number of positions: 3, Color: red
3030255	FBS 4-6	Plug-in bridge, Number of positions: 4, Color: red
3030349	FBS 5-6	Plug-in bridge, Number of positions: 5, Color: red
3030271	FBS 10-6	Plug-in bridge, Number of positions: 10, Color: red
3030365	FBS 20-6	Plug-in bridge, Number of positions: 20, Color: red
3032224	FBS 50-6	Plug-in bridge, Number of positions: 50, Color: red
Marking		
3040588	PC	Keying star, Length: 3 mm, Width: 3 mm, Height: 6 mm, Color: red
3030954	WST 4	Warning cover, 5-pos., for terminal width: 6.2 mm

Plug/Adapter

3002885	ISH 4/0,5	Insulating sleeve, Color: gray
3002898	ISH 4/1,0	Insulating sleeve, Color: black
3030925	PAI-4	Test adapter, Color: gray
3030996	PS-6	Test adapter, Color: red

Tools

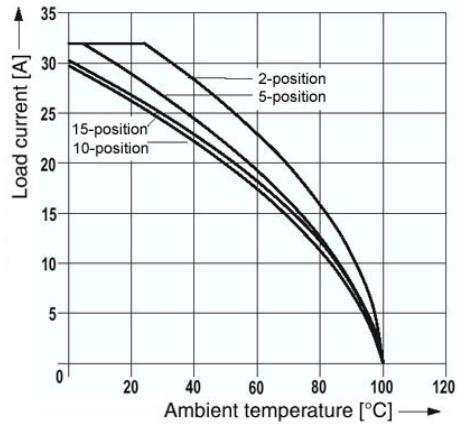
1204517	SZF 1-0,6X3,5	Actuation tool, for ST terminal blocks, also suitable for use as a bladed screwdriver, size: 0.6 x 3.5 x 100 mm, 2-component grip, with non-slip grip
---------	---------------	---

Additional products

Item	Designation	Description
Plug/Adapter		
3042751	SP 4/ 1-L	Connectors, Type of connection: Spring-cage connection, Number of positions: 1, Cross section: 0.08 mm ² - 6 mm ² , AWG 28 - 10, Width: 6.2 mm, Height: 41.5 mm, Color: gray
3042764	SP 4/ 1-L BU	Connectors, Type of connection: Spring-cage connection, Number of positions: 1, Cross section: 0.08 mm ² - 6 mm ² , AWG 28 - 10, Width: 6.2 mm, Height: 41.5 mm, Color: blue
3042777	SP 4/ 1-L GNYE	Connectors, Type of connection: Spring-cage connection, Number of positions: 1, Cross section: 0.08 mm ² - 6 mm ² , AWG 28 - 10, Width: 6.2 mm, Height: 41.5 mm, Color: green-yellow
3042780	SP 4/ 1-M	Connectors, Type of connection: Spring-cage connection, Number of positions: 1, Cross section: 0.08 mm ² - 6 mm ² , AWG 28 - 10, Width: 6.2 mm, Height: 41.5 mm, Color: gray
3042793	SP 4/ 1-M BU	Connectors, Type of connection: Spring-cage connection, Number of positions: 1, Cross section: 0.08 mm ² - 6 mm ² , AWG 28 - 10, Width: 6.2 mm, Height: 41.5 mm, Color: blue
3042803	SP 4/ 1-M GNYE	Connectors, Type of connection: Spring-cage connection, Number of positions: 1, Cross section: 0.08 mm ² - 6 mm ² , AWG 28 - 10, Width: 6.2 mm, Height: 41.5 mm, Color: green-yellow
3042816	SP 4/ 1-R	Connectors, Type of connection: Spring-cage connection, Number of positions: 1, Cross section: 0.08 mm ² - 6 mm ² , AWG 28 - 10, Width: 6.2 mm, Height: 41.5 mm, Color: gray
3042829	SP 4/ 1-R BU	Connectors, Type of connection: Spring-cage connection, Number of positions: 1, Cross section: 0.08 mm ² - 6 mm ² , AWG 28 - 10, Width: 6.2 mm, Height: 41.5 mm, Color: blue
3042832	SP 4/ 1-R GNYE	Connectors, Type of connection: Spring-cage connection, Number of positions: 1, Cross section: 0.08 mm ² - 6 mm ² , AWG 28 - 10, Width: 6.2 mm, Height: 41.5 mm, Color: green-yellow

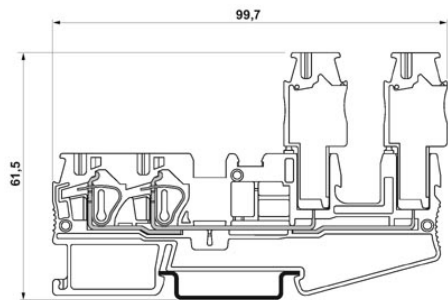
Diagrams/Drawings

Diagram



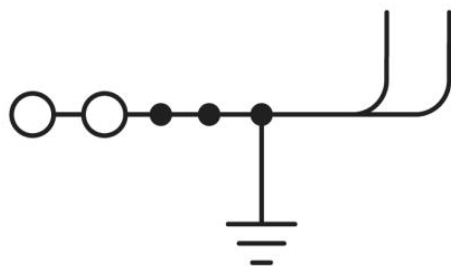
Applies to all male connector variants SP...

Dimensioned drawing



The illustration shows the terminal with the plug version SP 4/...

Circuit diagram



ST 4-QUATTRO/2P-PE Order No.: 3042858

<http://eshop.phoenixcontact.de/phoenix/treeViewClick.do?UID=3042858>

Address

PHOENIX CONTACT Deutschland GmbH
Flachmarktstr. 8
32825 Blomberg, Germany
Phone +49 5235 3 12000
Fax +49 5235 3 41200
<http://www.phoenixcontact.de>



© 2011 Phoenix Contact
Technical modifications reserved;