



Chipsmall Limited consists of a professional team with an average of over 10 year of expertise in the distribution of electronic components. Based in Hongkong, we have already established firm and mutual-benefit business relationships with customers from,Europe,America and south Asia,supplying obsolete and hard-to-find components to meet their specific needs.

With the principle of "Quality Parts,Customers Priority,Honest Operation,and Considerate Service",our business mainly focus on the distribution of electronic components. Line cards we deal with include Microchip,ALPS,ROHM,Xilinx,Pulse,ON,Everlight and Freescale. Main products comprise IC,Modules,Potentiometer,IC Socket,Relay,Connector.Our parts cover such applications as commercial,industrial, and automotives areas.

We are looking forward to setting up business relationship with you and hope to provide you with the best service and solution. Let us make a better world for our industry!



## Contact us

Tel: +86-755-8981 8866 Fax: +86-755-8427 6832

Email & Skype: info@chipsmall.com Web: www.chipsmall.com

Address: A1208, Overseas Decoration Building, #122 Zhenhua RD., Futian, Shenzhen, China



## High Current Connectors - HV M6/2 - 3049547

Please be informed that the data shown in this PDF Document is generated from our Online Catalog. Please find the complete data in the user's documentation. Our General Terms of Use for Downloads are valid (<http://phoenixcontact.com/download>)



High Current Connectors, nom. voltage: 1000 V, nominal current: 125 A, connection method: Bolt connection, number of connections: 2, width: 16 mm, height: 55.5 mm, color: gray, mounting type: NS 35/7,5, NS 35/15

### Why buy this product

- ✓ Two different partition plates can be used for the range of single and double-bolt terminal blocks
- ✓ Comprehensive range of accessories for safe and user-friendly wiring of conductors up to 120 mm<sup>2</sup>
- ✓ 2 and 3-pos. connection rails can be used for potential distribution
- ✓ Spring washers are used to prevent hexagonal nuts from loosening
- ✓ Secure connection of up to 4 conductors with cable lugs according to DIN 46234, 46235, and 46237 in a small amount of space
- ✓ The feed-through window provided in the partition plates can be easily removed for mounting the connection rails

### Key Commercial Data

Packing unit	25 STK
GTIN	
GTIN	4046356310291

### Technical data

#### General

Number of levels	1
Number of connections	2
Nominal cross section	35 mm <sup>2</sup>
Color	gray
Insulating material	PA
Flammability rating according to UL 94	V0
Rated surge voltage	8 kV
Degree of pollution	3
Overvoltage category	III
Insulating material group	I

# High Current Connectors - HV M6/2 - 3049547

## Technical data

### General

Maximum power dissipation for nominal condition	4.06 W
Connection in acc. with standard	IEC 60947-7-1
Nominal current $I_N$	125 A
Maximum load current	125 A
Nominal voltage $U_N$	1000 V
Open side panel	No
Result of surge voltage test	Test passed
Surge voltage test setpoint	9.8 kV
Result of power-frequency withstand voltage test	Test passed
Power frequency withstand voltage setpoint	2.2 kV
Result of the test for mechanical stability of terminal points (5 x conductor connection)	Test passed
Result of tight fit on support	Test passed
Tight fit on carrier	NS 35
Setpoint	10 N
Result of voltage-drop test	Test passed
Result of temperature-rise test	Test passed
Short circuit stability result	Test passed
Conductor cross section short circuit testing	35 mm <sup>2</sup>
Short-time current	4.2 kA
Result of thermal test	Test passed
Proof of thermal characteristics (needle flame) effective duration	10 s
Oscillation, broadband noise test result	Test passed
Test specification, oscillation, broadband noise	DIN EN 50155 (VDE 0115-200):2008-03
Test spectrum	Service life test category 1, class B, body mounted
Test frequency	$f_1 = 5 \text{ Hz}$ to $f_2 = 150 \text{ Hz}$
ASD level	0.02 g <sup>2</sup> /Hz
Acceleration	0,8 g
Test duration per axis	5 h
Test directions	X-, Y- and Z-axis
Shock test result	Test passed
Test specification, shock test	DIN EN 50155 (VDE 0115-200):2008-03
Shock form	Half-sine
Acceleration	5 g
Shock duration	30 ms
Number of shocks per direction	3
Test directions	X-, Y- and Z-axis (pos. and neg.)
Relative insulation material temperature index (Elec., UL 746 B)	130 °C
Temperature index of insulation material (DIN EN 60216-1 (VDE 0304-21))	125 °C
Static insulating material application in cold	-60 °C



# High Current Connectors - HV M6/2 - 3049547

## Technical data

### General

Behavior in fire for rail vehicles (DIN 5510-2)	Test passed
Flame test method (DIN EN 60695-11-10)	V0
Oxygen index (DIN EN ISO 4589-2)	>32 %
NF F16-101, NF F10-102 Class I	2
NF F16-101, NF F10-102 Class F	2
Surface flammability NFPA 130 (ASTM E 162)	passed
Specific optical density of smoke NFPA 130 (ASTM E 662)	passed
Smoke gas toxicity NFPA 130 (SMP 800C)	passed
Calorimetric heat release NFPA 130 (ASTM E 1354)	27,5 MJ/kg
Fire protection for rail vehicles (DIN EN 45545-2) R22	HL 1 - HL 3
Fire protection for rail vehicles (DIN EN 45545-2) R23	HL 1 - HL 3
Fire protection for rail vehicles (DIN EN 45545-2) R24	HL 1 - HL 3
Fire protection for rail vehicles (DIN EN 45545-2) R26	HL 1 - HL 3

### Dimensions

Length	67 mm
Width	16 mm
Height	55.5 mm
Height NS 35/7,5	58 mm
Height NS 35/15	65.5 mm
Bolt length	16 mm

### Connection data

Connection method	Bolt connection
Conductor cross section flexible min.	2.5 mm <sup>2</sup>
Conductor cross section flexible max.	35 mm <sup>2</sup>
Cable lug connection according to standard	DIN 46234
Min. cross section for cable lug connection	2.5 mm <sup>2</sup>
Max. cross section for cable lug connection	35 mm <sup>2</sup>
Bolt length	16 mm
Bolt diameter	6 mm
Tightening torque, min	3 Nm
Tightening torque max	6 Nm
Cable lug connection according to standard	DIN 46235
Min. cross section for cable lug connection	6 mm <sup>2</sup>
Max. cross section for cable lug connection	35 mm <sup>2</sup>
Bolt length	16 mm
Bolt diameter	6 mm
Tightening torque, min	3 Nm
Tightening torque max	6 Nm
Cable lug connection according to standard	DIN 46237
Min. cross section for cable lug connection	2.5 mm <sup>2</sup>

# High Current Connectors - HV M6/2 - 3049547

## Technical data

### Connection data

Max. cross section for cable lug connection	6 mm <sup>2</sup>
Bolt length	16 mm
Bolt diameter	6 mm
Tightening torque, min	3 Nm
Tightening torque max	6 Nm
Screw thread	M6
Tightening torque, min	3 Nm
Tightening torque max	6 Nm

### Standards and Regulations

Connection in acc. with standard	CSA
	IEC 60947-7-1
Flammability rating according to UL 94	V0
Fire protection for rail vehicles (DIN EN 45545-2) R22	HL 1 - HL 3 HL 1 - HL 3 HL 1 - HL 3 HL 1 - HL 3
Fire protection for rail vehicles (DIN EN 45545-2) R23	HL 1 - HL 3 HL 1 - HL 3 HL 1 - HL 3 HL 1 - HL 3
Fire protection for rail vehicles (DIN EN 45545-2) R24	HL 1 - HL 3 HL 1 - HL 3 HL 1 - HL 3 HL 1 - HL 3
Fire protection for rail vehicles (DIN EN 45545-2) R26	HL 1 - HL 3 HL 1 - HL 3 HL 1 - HL 3 HL 1 - HL 3

### Environmental Product Compliance

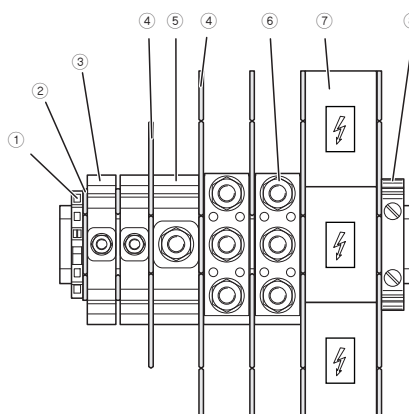
China RoHS	Environmentally Friendly Use Period = 50
	For details about hazardous substances go to tab "Downloads", Category "Manufacturer's declaration"

## Drawings

Circuit diagram



Application drawing



## Approvals

Approvals

# High Current Connectors - HV M6/2 - 3049547


## Approvals


Approvals


CSA / CSAus / EAC / cCSAus


Ex Approvals

### Approval details

CSA		<a href="http://www.csagroup.org/services-industries/product-listing/">http://www.csagroup.org/services-industries/product-listing/</a>	245029
Nominal voltage UN		1000 V	
Nominal current IN		120 A	
mm <sup>2</sup> /AWG/kcmil		4	

CSAus		<a href="http://www.csagroup.org/services-industries/product-listing/">http://www.csagroup.org/services-industries/product-listing/</a>	245029
Nominal voltage UN		1000 V	
Nominal current IN		120 A	
mm <sup>2</sup> /AWG/kcmil		4	

EAC		EAC-Zulassung
-----	-------------------------------------------------------------------------------------	---------------

cCSAus		<a href="http://www.csagroup.org/us/en/services/testing-and-certification/certified-product-listing">http://www.csagroup.org/us/en/services/testing-and-certification/certified-product-listing</a>
--------	-------------------------------------------------------------------------------------	-----------------------------------------------------------------------------------------------------------------------------------------------------------------------------------------------------

Phoenix Contact 2018 © - all rights reserved  
<http://www.phoenixcontact.com>

PHOENIX CONTACT GmbH & Co. KG  
 Flachsmarktstr. 8  
 32825 Blomberg  
 Germany  
 Tel. +49 5235 300  
 Fax +49 5235 3 41200  
<http://www.phoenixcontact.com>