



Chipsmall Limited consists of a professional team with an average of over 10 year of expertise in the distribution of electronic components. Based in Hongkong, we have already established firm and mutual-benefit business relationships with customers from,Europe,America and south Asia,supplying obsolete and hard-to-find components to meet their specific needs.

With the principle of "Quality Parts,Customers Priority,Honest Operation,and Considerate Service",our business mainly focus on the distribution of electronic components. Line cards we deal with include Microchip,ALPS,ROHM,Xilinx,Pulse,ON,Everlight and Freescale. Main products comprise IC,Modules,Potentiometer,IC Socket,Relay,Connector.Our parts cover such applications as commercial,industrial, and automotives areas.

We are looking forward to setting up business relationship with you and hope to provide you with the best service and solution. Let us make a better world for our industry!



Contact us

Tel: +86-755-8981 8866 Fax: +86-755-8427 6832

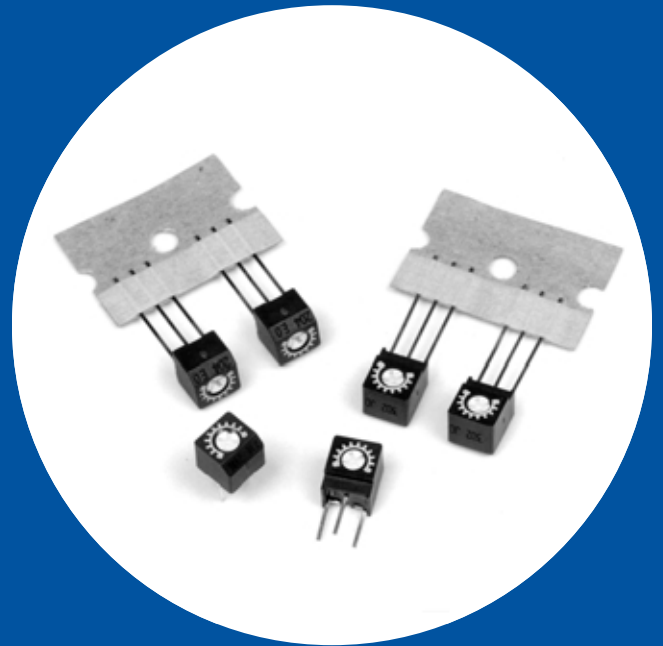
Email & Skype: info@chipsmall.com Web: www.chipsmall.com

Address: A1208, Overseas Decoration Building, #122 Zhenhua RD., Futian, Shenzhen, China



Commercial miniature 6 mm square cermet trimmer potentiometer

- Easy and stable adjustment
- Auto solder, ultrasonic cleaning, immersion cleaning available
- Variety of terminal pitches
- Cross-slot knob for ease of adjustment
- Auto insertion with radial taping



Electrical and Mechanical Specifications

Taper

Linear

Resistance Range

10 ohms to 2 megohms
(See Resistance Code Table)

Resistance Tolerance

± 20%

Residual Resistance

Less than 1% of the total resistance or
3 ohms, whichever is greater

Power Rating

0.5 watt at 70°C, 0 watts at 125°C

Maximum Working Voltage

200 V or \sqrt{PR} = whichever is less

Temperature Range

-55°C ~ +125°C

Temperature Coefficient

±100 ppm/°C (except 10 ohms ≈ +200 ppm/°C)

Noise (Contact Resistance Variation)

Less than 3% of total resistance or 3 ohms,
whichever is greater

Insulation Resistance

DC 500 V, 1000 megohms, minimum

Dielectric Strength

AC 500 V 1 minute

Rotation Angle

250° ± 10°

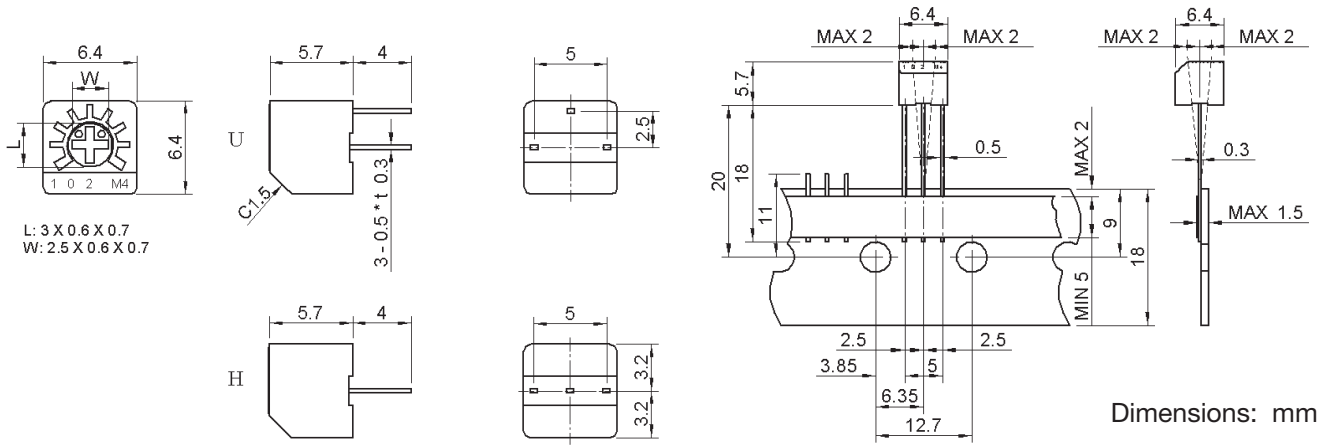
Operation Torque

20 mN•m, maximum

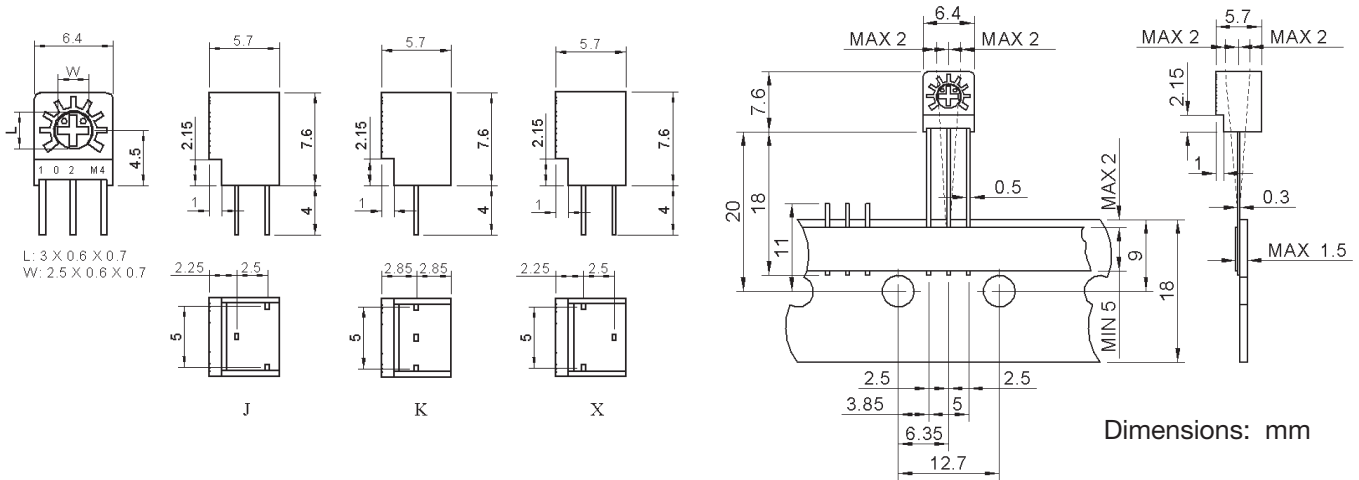
Stop Strength

50 mN•m, maximum

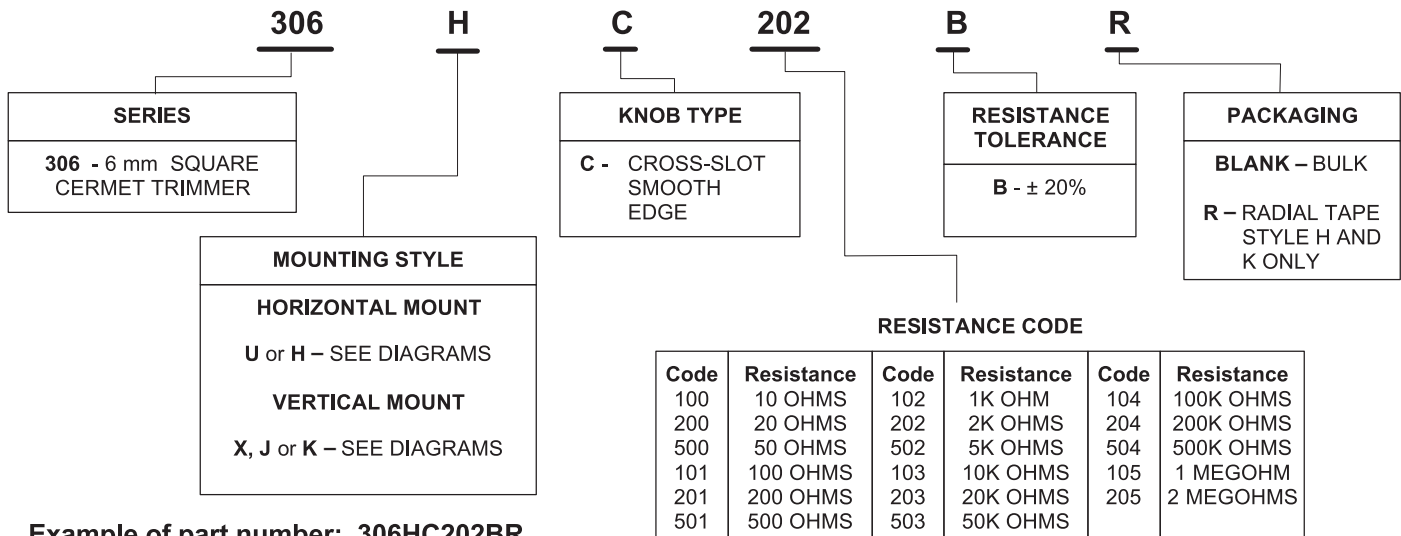
Horizontal mounting - Knob parallel to printed circuit board



Vertical Mounting - Knob perpendicular to printed circuit board



Ordering Information



Order From:

CTS CORPORATION, RESISTOR / ELECTROCOMPONENTS / 406 Parr Road / Berne, IN 46711

PHONE: (260) 589-3111 / FAX: (260) 589-3243

<http://www.ctscorp.com>

CTS COMPONENTS TAIWAN, LTD. / 7, Central 6th Road (Chung Liu Road) / P.O. Box 26-20

Kaohsiung Export Processing Zone / Kaohsiung, Taiwan, Republic of China

PHONE: (07) 8216145 / FAX: 8417642.8110040