



Chipsmall Limited consists of a professional team with an average of over 10 year of expertise in the distribution of electronic components. Based in Hongkong, we have already established firm and mutual-benefit business relationships with customers from,Europe,America and south Asia,supplying obsolete and hard-to-find components to meet their specific needs.

With the principle of “Quality Parts,Customers Priority,Honest Operation,and Considerate Service”,our business mainly focus on the distribution of electronic components. Line cards we deal with include Microchip,ALPS,ROHM,Xilinx,Pulse,ON,Everlight and Freescale. Main products comprise IC,Modules,Potentiometer,IC Socket,Relay,Connector.Our parts cover such applications as commercial,industrial, and automotives areas.

We are looking forward to setting up business relationship with you and hope to provide you with the best service and solution. Let us make a better world for our industry!



## Contact us

Tel: +86-755-8981 8866 Fax: +86-755-8427 6832

Email & Skype: info@chipsmall.com Web: www.chipsmall.com

Address: A1208, Overseas Decoration Building, #122 Zhenhua RD., Futian, Shenzhen, China



## Bolt connection terminal block - RWV 5 - 3073746

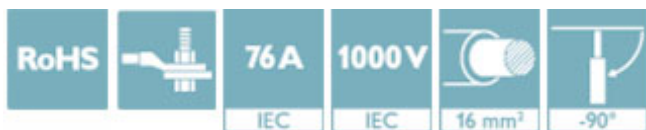
Please be informed that the data shown in this PDF Document is generated from our Online Catalog. Please find the complete data in the user's documentation. Our General Terms of Use for Downloads are valid (<http://phoenixcontact.com/download>)



Panel feed-through terminal block, connection method: Bolt connection, Bolt connection, number of positions: 1, load current: 76 A, cross section: 0.1 mm<sup>2</sup> - 16 mm<sup>2</sup>, AWG 26 - 6, connection direction of the conductor to plug-in direction: -90 °, width: 16.3 mm, color: gray

### Why buy this product

- ✓ Easy grouping with engagement pin versions
- ✓ Both terminal halves can be easily assembled by simply snapping them together
- ✓ Quick and easy conductor connection thanks to hinged cover flaps with captive clamping nut
- ✓ Molded versions ensure maximum tightness of seal
- ✓ Touch-proof insulating housing in a new design
- ✓ Spring-loaded spacers protect the bolt connection against loosening
- ✓ Automatic compensation of the panel thickness via the snap principle integrated in the insulation housing



### Key Commercial Data

Packing unit	10 STK
GTIN	
GTIN	4046356368551

### Technical data

#### General

Number of levels	1
Number of connections	2
Nominal cross section	16 mm <sup>2</sup>
Color	gray
Insulating material	PA
Flammability rating according to UL 94	V0
Rated surge voltage	8 kV
Degree of pollution	3
Overvoltage category	III

# Bolt connection terminal block - RWV 5 - 3073746

## Technical data

### General

Insulating material group	I
Connection in acc. with standard	IEC 60947-7-1
Nominal current I <sub>N</sub>	76 A
Maximum load current	76 A
Nominal voltage U <sub>N</sub>	1000 V
Open side panel	Yes
Number of positions	1

### Dimensions

Width	16.3 mm
Pitch	16.3 mm
Plate thickness	1 mm ... 6 mm

### Connection data

Note	Connection bolts
Connection side	outside
Connection method	Bolt connection
Conductor cross section solid min.	0.1 mm <sup>2</sup>
Conductor cross section solid max.	16 mm <sup>2</sup>
Conductor cross section flexible min.	0.1 mm <sup>2</sup>
Conductor cross section flexible max.	16 mm <sup>2</sup>
Conductor cross section AWG min.	26
Conductor cross section AWG max.	6
Screw thread	M5
Tightening torque, min	2.5 Nm
Tightening torque max	3 Nm
Connection side	inside
Connection method	Bolt connection

### Standards and Regulations

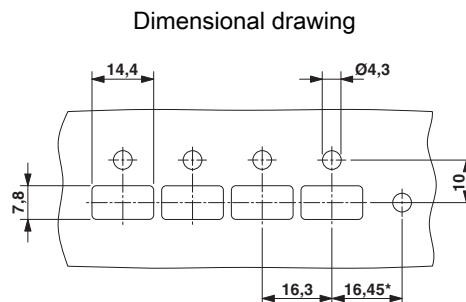
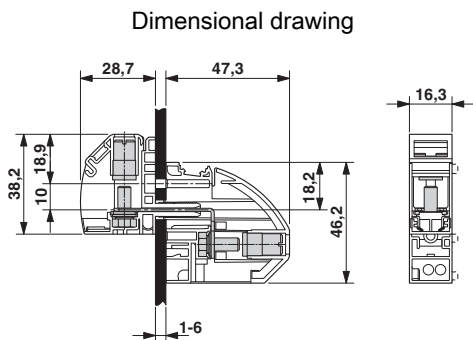
Connection in acc. with standard	UL
	IEC 60947-7-1
	DIN 46234
	DIN 46237
Flammability rating according to UL 94	V0

### Environmental Product Compliance

REACH SVHC	Lead 7439-92-1
China RoHS	Environmentally Friendly Use Period = 50
	For details about hazardous substances go to tab "Downloads", Category "Manufacturer's declaration"

## Drawings

# Bolt connection terminal block - RWV 5 - 3073746



\* Only when using the RW...-F flange plate

## Approvals

### Approvals

### Approvals

UL Recognized / EAC

### Ex Approvals

### Approval details

UL Recognized		<a href="http://database.ul.com/cgi-bin/XYV/template/LISEXT/1FRAME/index.htm">http://database.ul.com/cgi-bin/XYV/template/LISEXT/1FRAME/index.htm</a> E60425-20100319	
		B	C
Nominal voltage UN		600 V	600 V
Nominal current IN		65 A	65 A

EAC		B.01742
-----	--	---------

Phoenix Contact 2018 © - all rights reserved  
<http://www.phoenixcontact.com>

PHOENIX CONTACT GmbH & Co. KG  
 Flachsmarktstr. 8  
 32825 Blomberg  
 Germany  
 Tel. +49 5235 300  
 Fax +49 5235 3 41200  
<http://www.phoenixcontact.com>