



Chipsmall Limited consists of a professional team with an average of over 10 year of expertise in the distribution of electronic components. Based in Hongkong, we have already established firm and mutual-benefit business relationships with customers from,Europe,America and south Asia,supplying obsolete and hard-to-find components to meet their specific needs.

With the principle of “Quality Parts,Customers Priority,Honest Operation,and Considerate Service”,our business mainly focus on the distribution of electronic components. Line cards we deal with include Microchip,ALPS,ROHM,Xilinx,Pulse,ON,Everlight and Freescale. Main products comprise IC,Modules,Potentiometer,IC Socket,Relay,Connector.Our parts cover such applications as commercial,industrial, and automotives areas.

We are looking forward to setting up business relationship with you and hope to provide you with the best service and solution. Let us make a better world for our industry!



## Contact us

Tel: +86-755-8981 8866 Fax: +86-755-8427 6832

Email & Skype: info@chipsmall.com Web: www.chipsmall.com

Address: A1208, Overseas Decoration Building, #122 Zhenhua RD., Futian, Shenzhen, China





# SWING HANDLE - SMALL VERSION



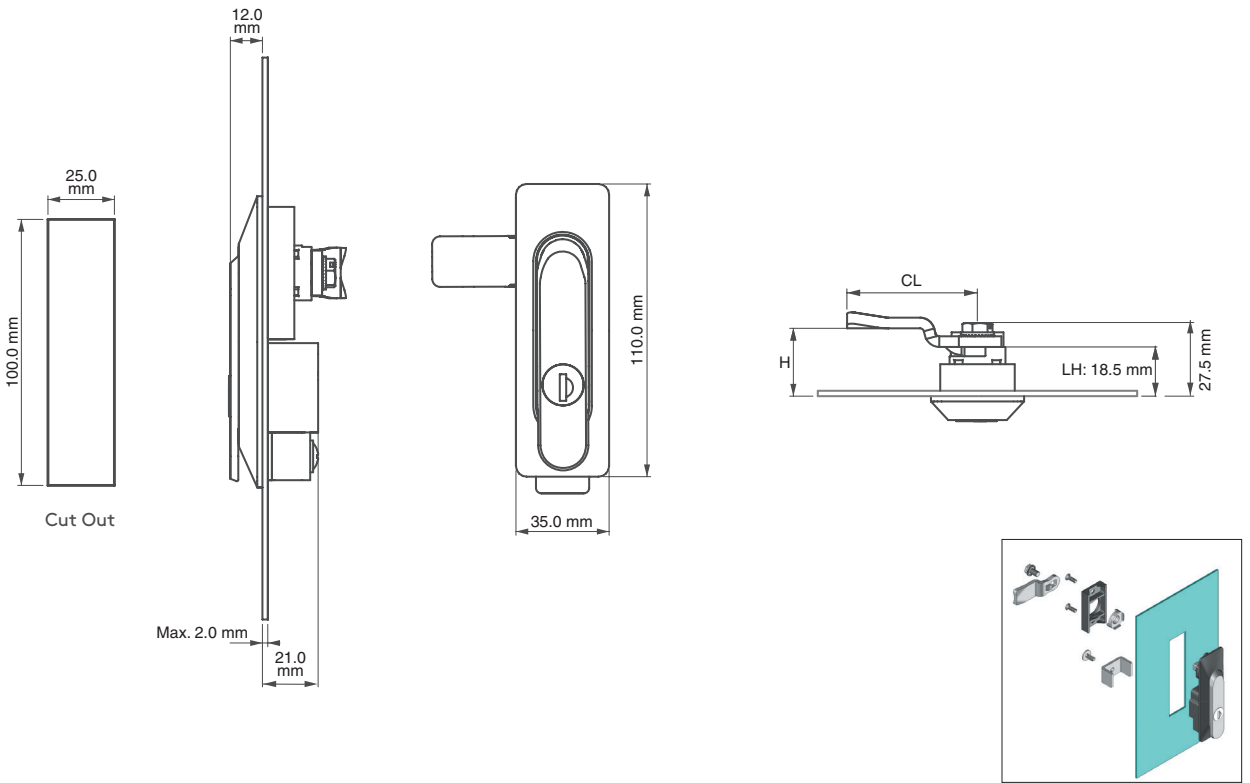
\*Example with cam.  
Cam sold separately.

### Specifications

- Material:  
Body: Polyamide DIN-EN ISO 1043-1 PA6 GFR 30  
Handle: Zinc Alloy (Zamak) DIN-EN 1774-ZnAl4Cu1  
Cam: Steel  
Seal: Polyurethane
- 25.0 mm x 100.0 mm cut out

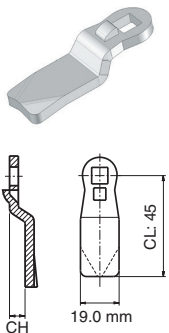
### Features

- For indoor and outdoor applications
- Applications: Electric panels, machinery covers, rack enclosures



Zinc Alloy / Chrome	Zinc Alloy / Black	Nylon / Black	Cylinder	Cam
3081120300	3081220300	3082020300	Keyed alike	Select Cam Below

### Steel Cam



Item Number	CH (mm)	CL (mm)	H (mm)
30403033	0.0	45.0	18.5
30403439	1.0	45.0	19.5
30403159	2.0	45.0	20.5
30403063	3.0	45.0	21.5
30403149	4.0	45.0	22.5
30403160	6.0	45.0	24.5
30403161	8.0	45.0	26.5
30403162	10.0	45.0	28.5
30403045	12.0	45.0	30.5
30403163	14.0	45.0	32.5
30403151	16.0	45.0	34.5

Item Number	CH (mm)	CL (mm)	H (mm)
30403165	18.0	45.0	36.5
30403166	20.0	45.0	38.5
30403167	22.0	45.0	40.5
30403168	24.0	45.0	42.5
30403169	-2.0	45.0	16.5
30403170	-4.0	45.0	14.5
30403171	-6.0	45.0	12.5
30403172	-8.0	45.0	10.5
30403173	-10.0	45.0	8.5
30403174	-12.0	45.0	6.5
30403175	-14.0	45.0	4.5