



Chipsmall Limited consists of a professional team with an average of over 10 year of expertise in the distribution of electronic components. Based in Hongkong, we have already established firm and mutual-benefit business relationships with customers from,Europe,America and south Asia,supplying obsolete and hard-to-find components to meet their specific needs.

With the principle of “Quality Parts,Customers Priority,Honest Operation,and Considerate Service”,our business mainly focus on the distribution of electronic components. Line cards we deal with include Microchip,ALPS,ROHM,Xilinx,Pulse,ON,Everlight and Freescale. Main products comprise IC,Modules,Potentiometer,IC Socket,Relay,Connector.Our parts cover such applications as commercial,industrial, and automotives areas.

We are looking forward to setting up business relationship with you and hope to provide you with the best service and solution. Let us make a better world for our industry!



Contact us

Tel: +86-755-8981 8866 Fax: +86-755-8427 6832

Email & Skype: info@chipsmall.com Web: www.chipsmall.com

Address: A1208, Overseas Decoration Building, #122 Zhenhua RD., Futian, Shenzhen, China



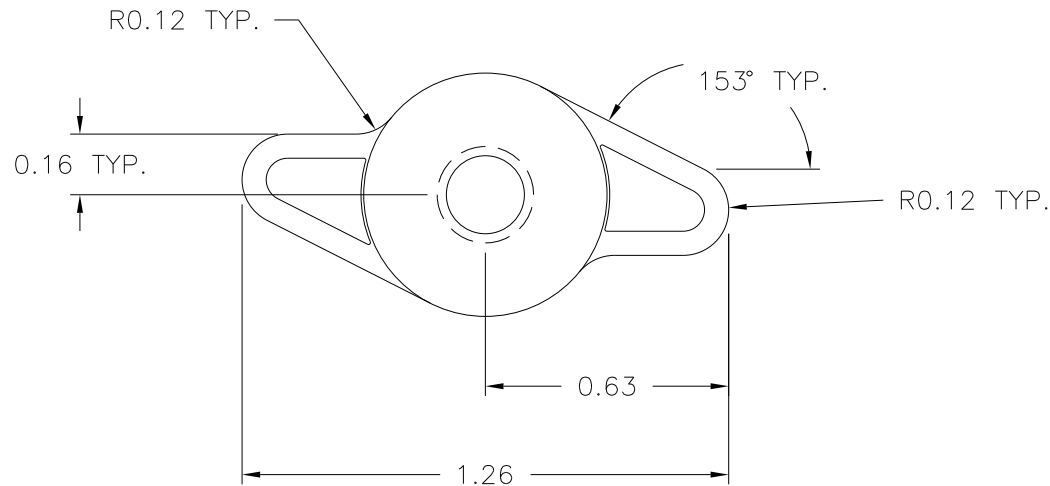
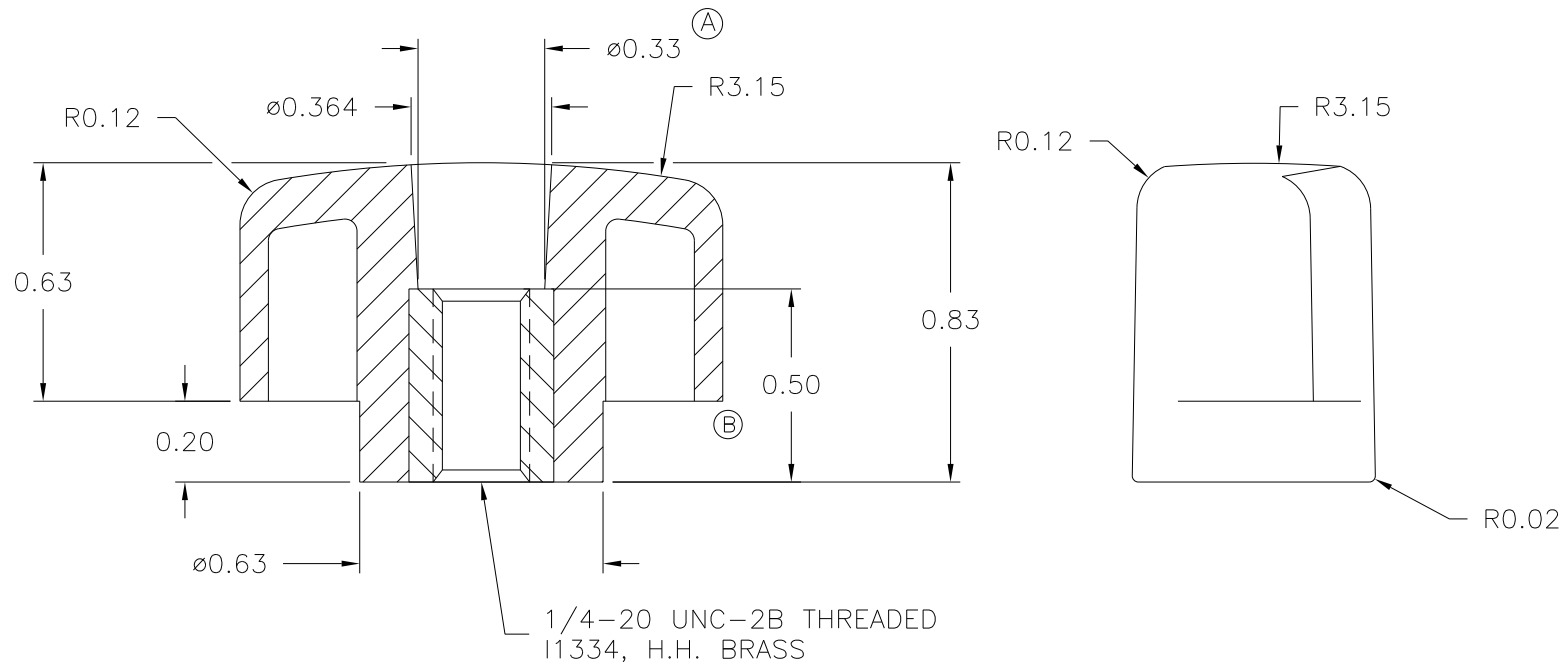
THIS DRAWING IS THE PROPERTY OF DAVIES MOLDING COMPANY, IS SUBMITTED SOLELY AS A DESIGN OR ENGINEERING PROJECT. WE ACCEPT NO RESPONSIBILITY WHATSOEVER FOR THE PRACTICAL APPLICATION OF THE PIECES MADE TO THIS DESIGN.



DESIGNERS & MANUFACTURERS OF KNOBS, HANDLES, CASES & CUSTOM PLASTIC COMPONENTS

P/N 3084-E

M NO.	3084
CAVITY	3084-E
CORE	3084
CAVITY PIN	3084-E
SLEEVE	3084
PIN	3084
INSERT	11334



MATERIAL: HIPS
COLOR: BLACK

NOTE(S) :

- (1) DRAFT PER SIDE 1° MAX. UNLESS OTHERWISE SPECIFIED.
- (2) DIMENSIONS SHOWN ARE MINUS DRAFT.
- (3) ALL EXTERNAL SURFACES TO BE RAWAL TEXTURE (MT-11010)
- (4) ALL RADII TO BLEND SMOOTH WITH ADJOINING SURFACES.

TOLERANCES: UNLESS OTHERWISE SPECIFIED	DO NOT SCALE DRAWING	B	REMOVED RADIUS	JAM	11/23/09
DECIMALS: X.XXX ± .005 X.XX ± .015	MM: X.XX ± 0.15MM X.X ± 0.4MM	-	REDRAWN	TL	11/11/99
FRACTIONS ± 1/64	ANG. ± 1°	A	ø.328 WAS ø.313	HD	8/10/96
CHANGES					