



Chipsmall Limited consists of a professional team with an average of over 10 year of expertise in the distribution of electronic components. Based in Hongkong, we have already established firm and mutual-benefit business relationships with customers from,Europe,America and south Asia,supplying obsolete and hard-to-find components to meet their specific needs.

With the principle of "Quality Parts,Customers Priority,Honest Operation,and Considerate Service",our business mainly focus on the distribution of electronic components. Line cards we deal with include Microchip,ALPS,ROHM,Xilinx,Pulse,ON,Everlight and Freescale. Main products comprise IC,Modules,Potentiometer,IC Socket,Relay,Connector.Our parts cover such applications as commercial,industrial, and automotives areas.

We are looking forward to setting up business relationship with you and hope to provide you with the best service and solution. Let us make a better world for our industry!



Contact us

Tel: +86-755-8981 8866 Fax: +86-755-8427 6832

Email & Skype: info@chipsmall.com Web: www.chipsmall.com

Address: A1208, Overseas Decoration Building, #122 Zhenhua RD., Futian, Shenzhen, China

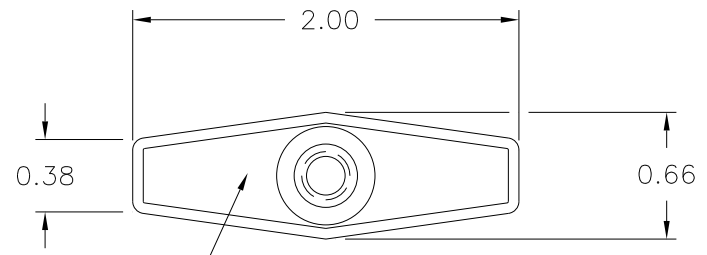


PART NAME: KNOB SCALE: 1:1 DATE: 5/10/96 DR. BY HD

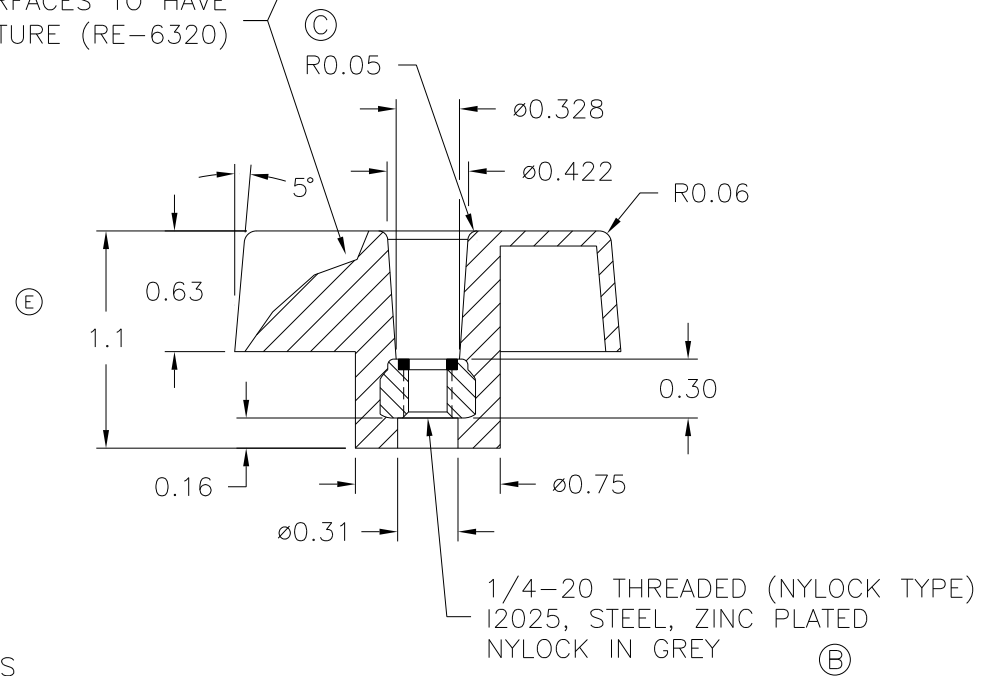
THIS DRAWING IS THE PROPERTY OF DAVIES MOLDING COMPANY, IS SUBMITTED SOLELY AS A DESIGN OR ENGINEERING PROJECT. WE ACCEPT NO RESPONSIBILITY WHATSOEVER FOR THE PRACTICAL APPLICATION OF THE PIECES MADE TO THIS DESIGN.

DAVIES MOLDING DESIGNERS & MANUFACTURERS OF KNOBS, HANDLES, CASES & CUSTOM PLASTIC COMPONENTS

P/N	3089AC
M ^{NO.}	# 38
CAVITY	3089-AC
CORE	3089
CAV. PLUG	3089-AC
SLEEVE	3089
PIN	3089-AC
INSERT	I2025



OUTSIDE SURFACES TO HAVE COARSE TEXTURE (RE-6320)



ENGINEERING APPROVED MATERIALS
 MATERIAL: POLYPROPYLENE (CLD) (C)
 COLOR: BLACK

E	WAS 0.75, ADDED TOLERANCE	EW	7/23/14
D	ADDED MAT. CODE	DS	1/26/07
-	REDRAWN	TL	11/12/99
C	R.05 ADDED	HD	9/10/96
B	WAS I1287	HD	9/4/96
A	PIN&CAV WERE 3089SPEC	HD	8/29/96

(E)	TOLERANCES: UNLESS OTHERWISE SPECIFIED	DO NOT SCALE DRAWING
	DECIMALS: X.XXX ± .005 X.XX ± .015 X.X ± .03	MM: X.XX ± 0.15MM X.X ± 0.4MM
	FRACTIONS ± 1/64	ANG. ± 1°

CHANGES